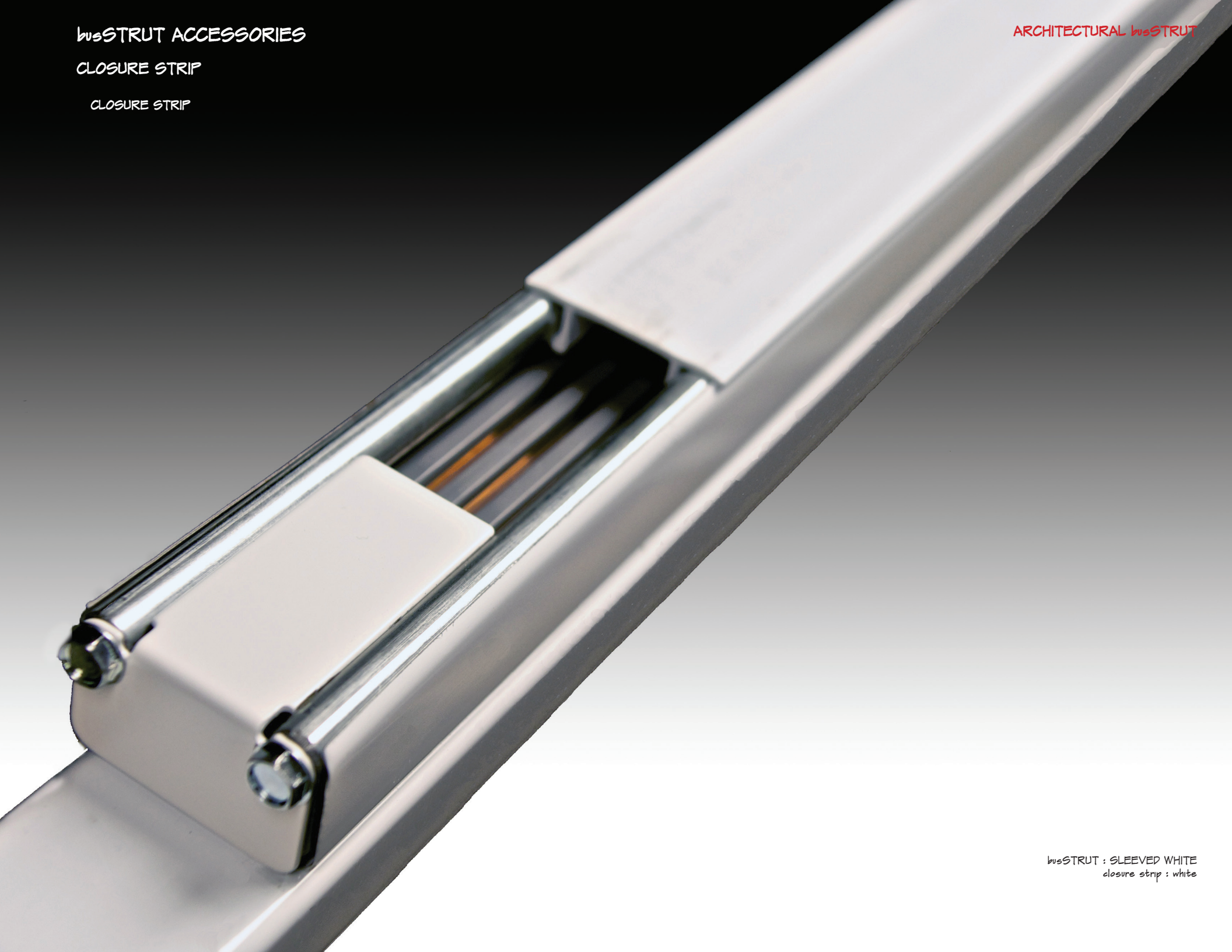


busSTRUT ACCESSORIES

CLOSURE STRIP

CLOSURE STRIP

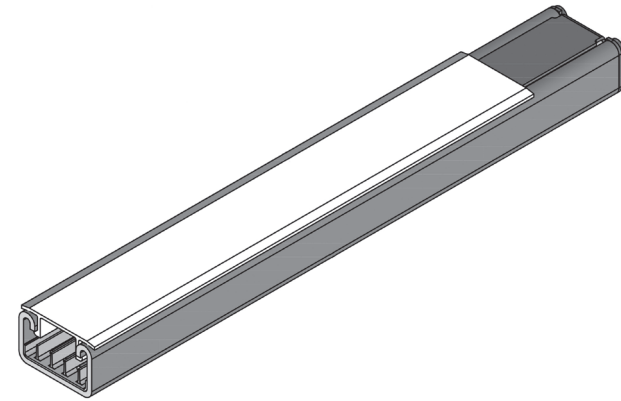
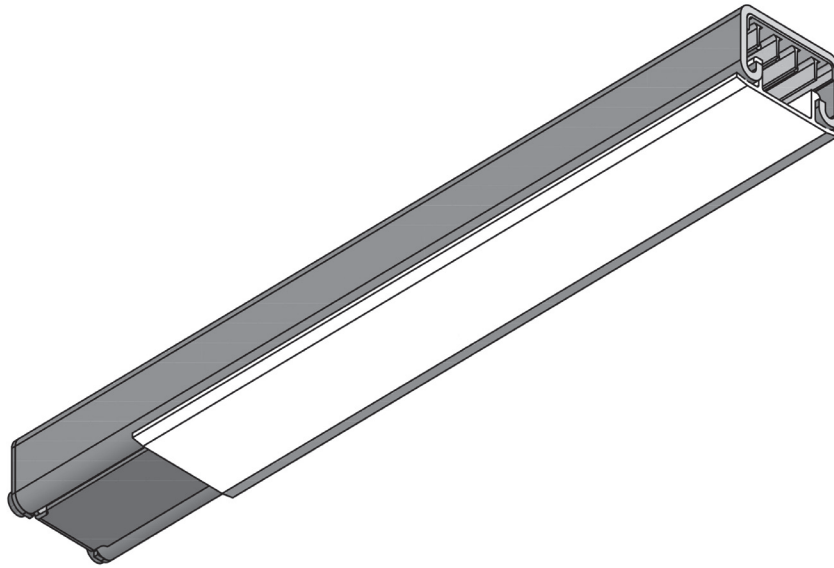
ARCHITECTURAL busSTRUT



busSTRUT : SLEEVED WHITE
closure strip : white

CLOSURE STRIP

CLOSURE STRIP
*FIELD CUTABLE



busSTRUT (single and double-deck)			Field painting : Closure strips are ground protection required for In-Field Painting.
Product	Length	Catalog Number	
CLOSURE STRIP	20	MD-CS-20-(F)	Double-Decked : Often used to protect upward facing double-decked busSTRUT from a harsh environment.
	*FIELD CUTABLE		
Finish - W=White B=Black			*Custom lengths need not be ordered because closure strips are field cuttable.