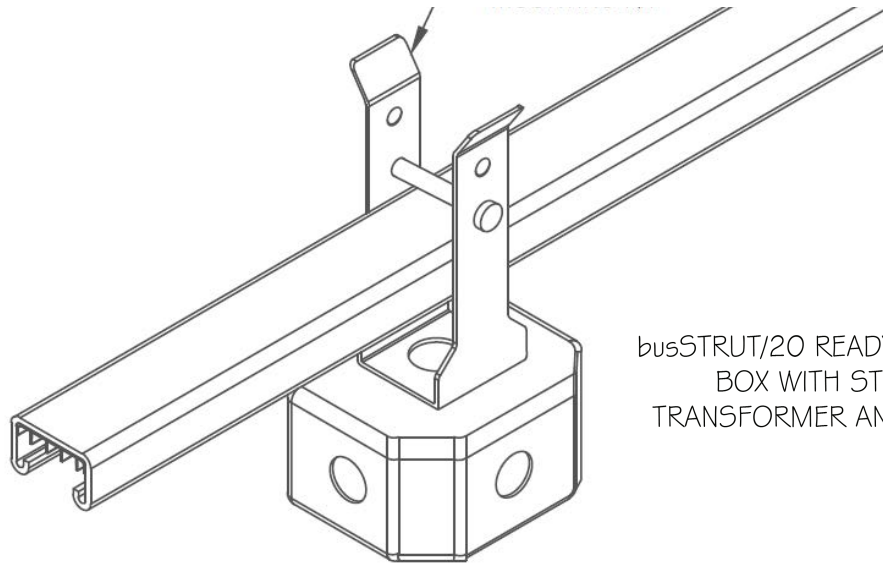


OCTAGON BOX (TRANSFORMED RECEPTACLE)	busSTRUT	Ckt Amps	Voltage	Type	CRI	Lamp lm	Fixture lm	Watts	lm/w	Beam	CBCP	(F) Finish	Catalog Number
	LB	N/A	N/A	Transformer	N/A	N/A	N/A	N/A	N/A	N/A	N/A	B= Black W= White G= Galv	LB-DW-TRAN-(F)



busSTRUT/20 READY OUTLET BOX WITH STEP DOWN TRANSFORMER AND NEMA

Description:

- Octagon boxes are for use with busSTRUT single and double-deck.
- Come complete with mounting hardware.
- Includes a 71A9741-J Philips Advance 300VA transformer to step down 277V to 120V for built-in Duplex Receptacles
- Available in galvanized, white, and black.

Application Photo

