

busSTRUT

SINGLE-DECK



busSTRUT : GALVANIZED  
joiner : galvanized

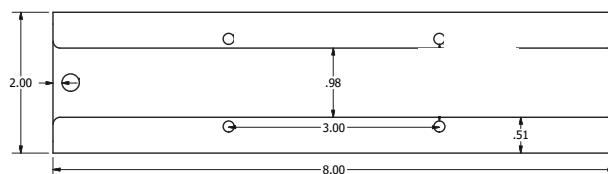
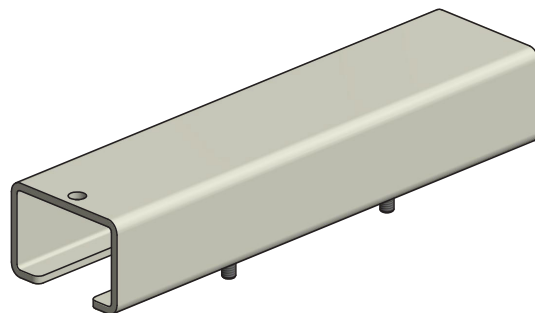
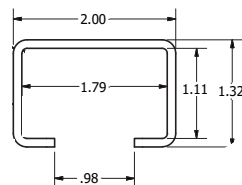
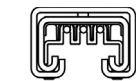
DOUBLE-DECK



busSTRUT : GALVANIZED  
joiner : galvanized

JOINER

SINGLE-DECK



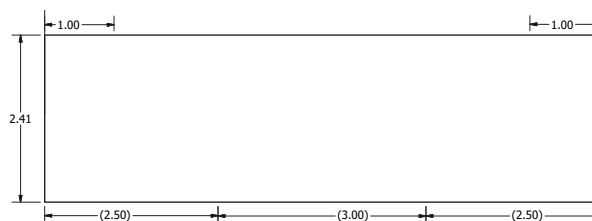
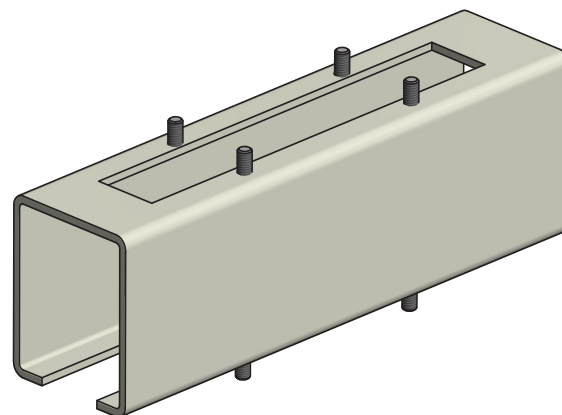
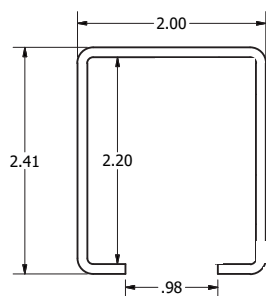
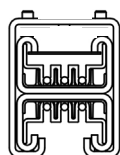
SINGLE JOINER

For use with two busSTRUT lengths. Single-Deck Joiners provide mechanical connections. Invisible screws secure the joiner to the busSTRUT lengths.

M-JB-(F)-X

Finish (F): G=Galvanized W=White B=Black

DOUBLE-DECK



DOUBLE JOINER

For use with four busSTRUT lengths. Double-Deck Joiners provide mechanical connections. Invisible screws secure the joiner to the busSTRUT lengths.

M-JB-(F)-X

Finish (F): G=Galvanized W=White B=Black