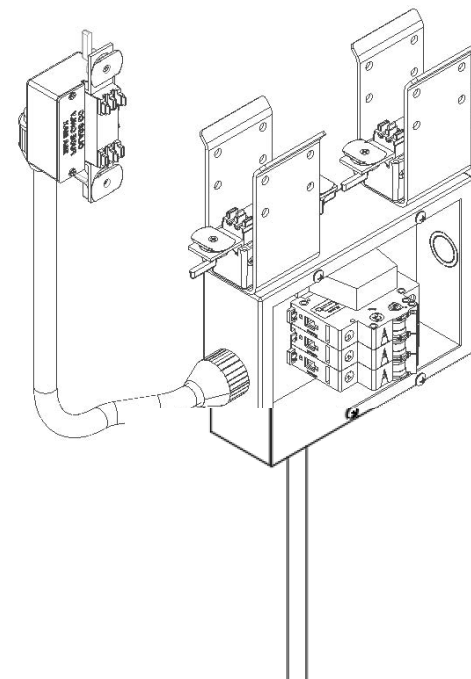
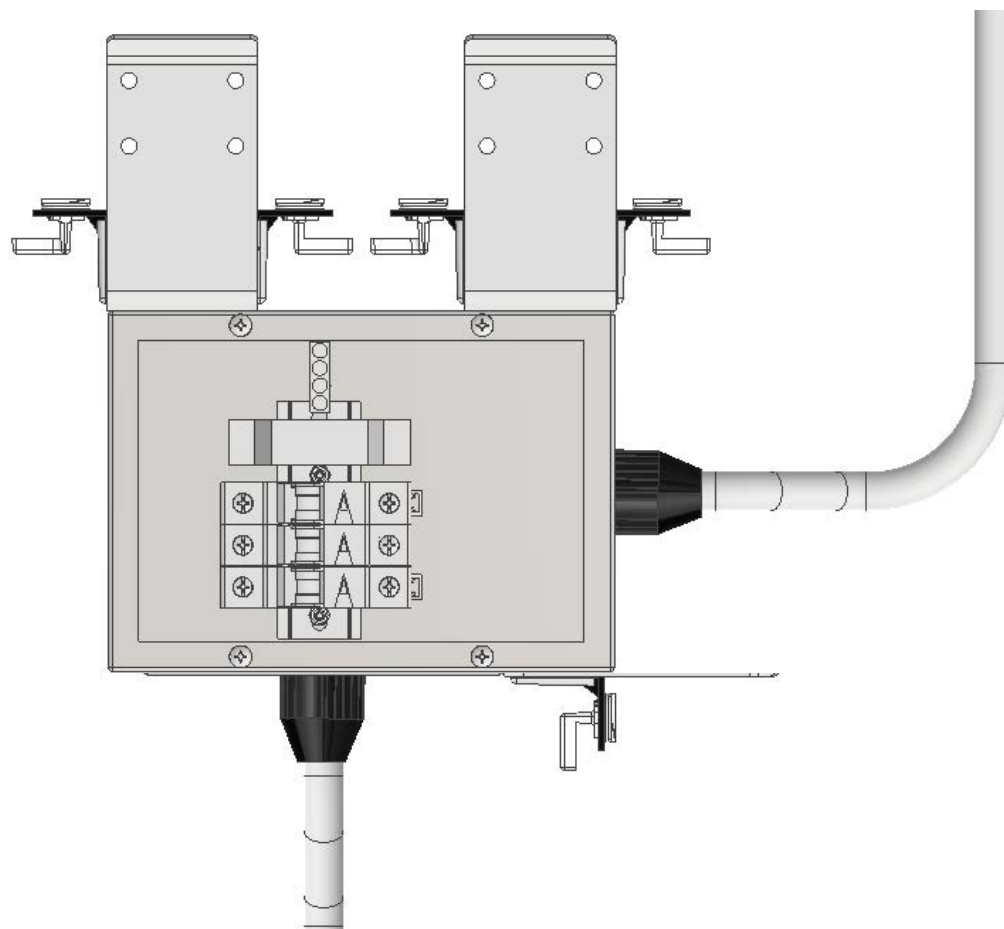


DROP CORD: BREAKER LIMITERS

busSTRUT READY 3-PHASE POWER DROP

Product	Amperage	Finish (F)	Plug End	Catalog Number
MD	40A/208V	G=Galvanized B= Black W=White	DO= Junction Box	MD40-4-208-CB35-DC14-DO-(F) MD40-4-208-CB20-DC14-DO-(F)



Breakered Power Drop Cord for 208V 3-Phase Power Drop (40A)

The Breakered Power Drop Cord is designed for seamless integration with 3-phase power systems, offering a flexible solution for overhead power distribution. Engineered for up to 40A per phase, it features a 3-Pole Breaker and a drop cord with junction box plug-end.