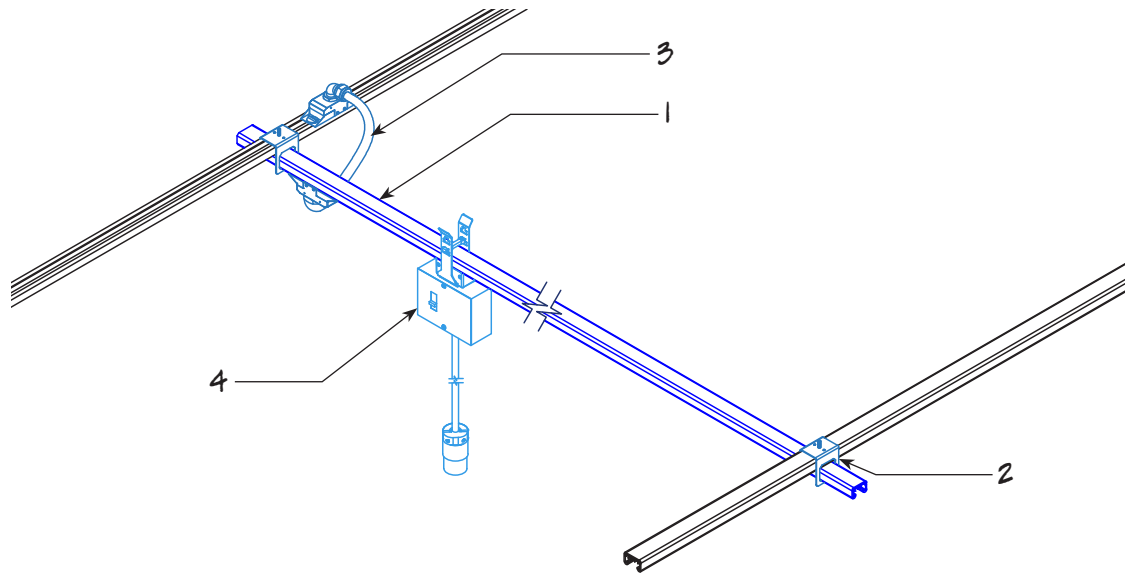
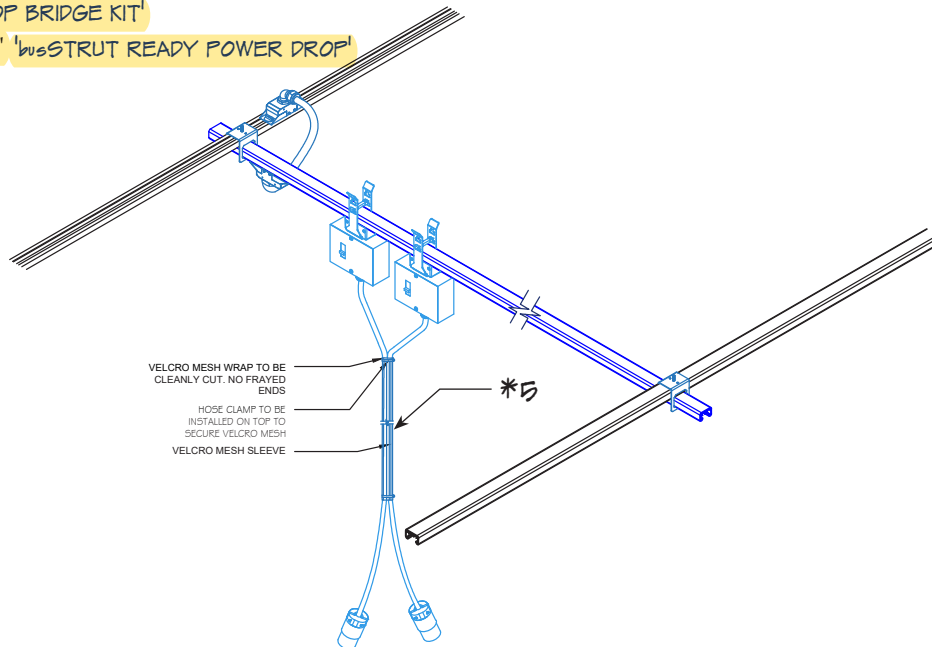


POWER DROP BRIDGE KIT:



To order a DOUBLE power drop: (as seen below)  
Order a standard 'POWER DROP BRIDGE KIT'

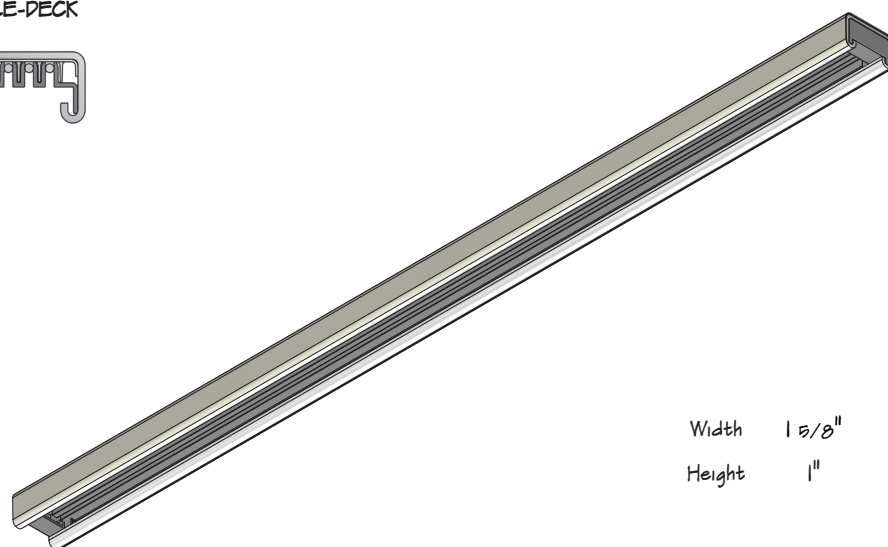
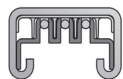
- + ONE additional ~6' longer 'busSTRUT READY POWER DROP'
- + 'VELCRO MESH SLEEVE'



(R1 on 4/3/19) Kit Includes:

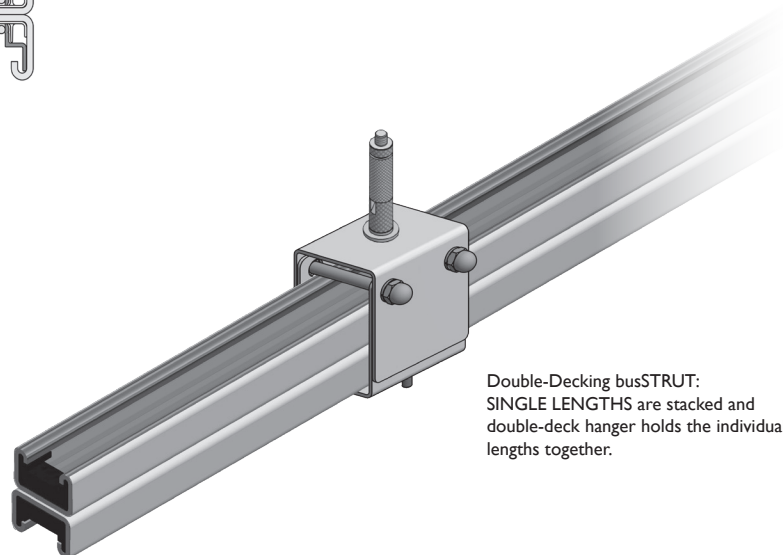
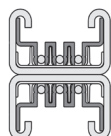
1.		busSTRUT Length (10' Bridge): M20-3-40-277-10-B
2.		busSTRUT SLIMLINE 1/1 CROSSOVER ICM-5-B-ST-X
3.		busSTRUT JUMPER MD4020-UNIV-JC-(F)-20-12-X
4.		busSTRUT READY POWER DROP MD15-2-120-CB15-DC-13-B-5B
*5.		(OPTIONAL) VELCRO/MESH SLEEVE *used for multiple drops MD00-VS-0.75-B-10

SINGLE-DECK



Width 1 5/8"  
Height 1"

DOUBLE-DECK



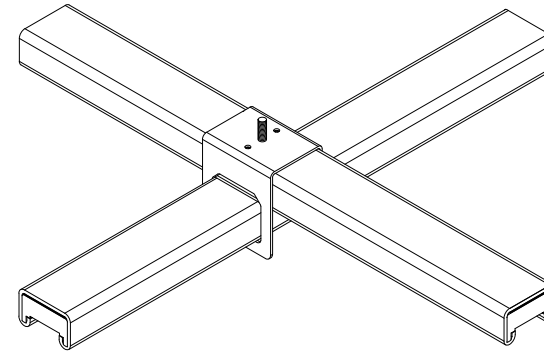
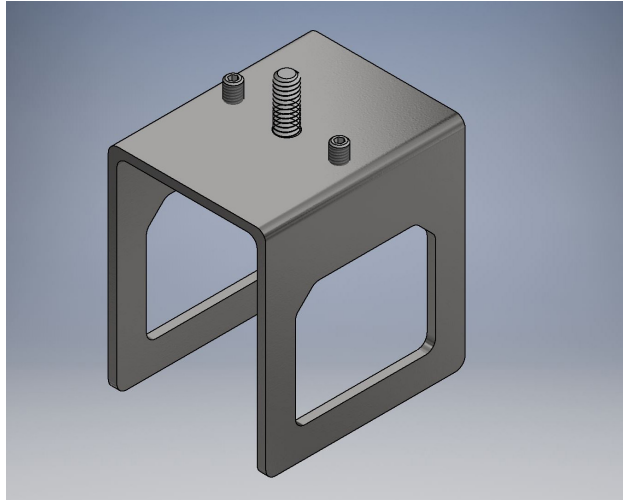
Double-Decking busSTRUT:  
SINGLE LENGTHS are stacked and  
double-deck hanger holds the individual  
lengths together.

busSTRUT				
SINGLE / DOUBLE-DECK (two single lengths of busSTRUT)				
		(L)		(F)
20 AMP	up to 277V MAX.	M20-3-40-277-(L)-(F)-B	2.5' 05' 10' XX' (CUSTOM LENGTH)	G SC W B
40 AMP	up to 277V MAX.	M40-3-80-277-(L)-(F)-B	2.5' 05' 10' XX' (CUSTOM LENGTH)	G SC W B
EMPTY	NON-POWERED	M00-(L)-(F)-B	2.5' 05' 10' XX' (CUSTOM LENGTH)	G SC W B

Finish - G=Galvanized SC=Sleeved Copper W=White B=Black

busSTRUT is PREWIRED, 1-5/8" x 1", 12 Ga. steel, 3 Pole busway. Runs, rows, and grids are all "Plug & Play." Specify busSTRUT/20 (two 20A circuits) and/or busSTRUT/40 (two 40A circuits) in galvanized, sleeved copper, white, or black in 2.5', 5', 10', and 20' lengths. busSTRUT/20 is mainly for use with light fixtures. busSTRUT/40 is for power distribution. busSTRUT lengths work together effortlessly. There are no visual differences so the look is integrated, sleek, and uncluttered. The endblocks are built into each length- no end caps are required.

**SINGLE HEIGHT CROSSOVER**  
for use as L, T, X

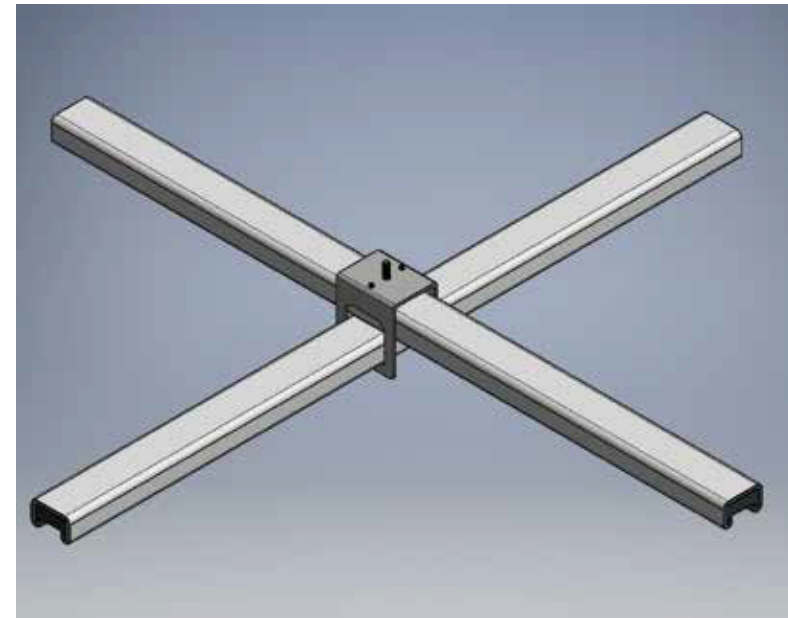
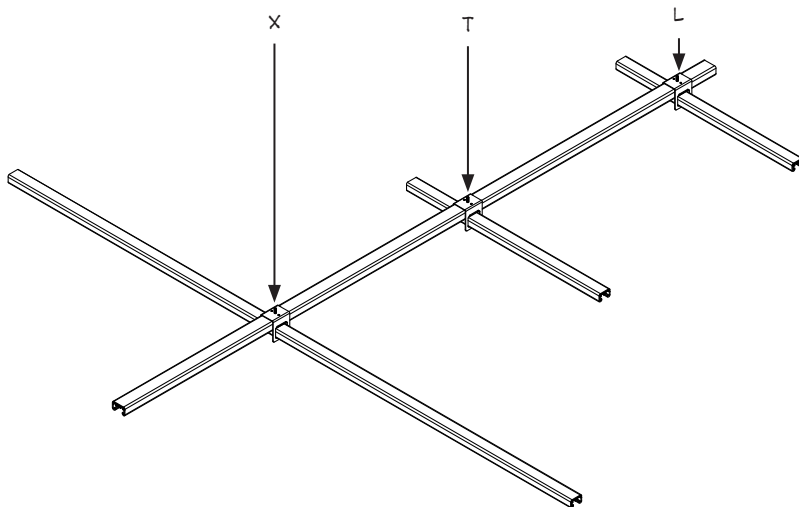


busSTRUT (double-deck)

Product	Length	Catalog Number
I/1	Single	ICM-S-(B)-ST-X

Finish - G=Galvanized W=White B=Black

ONE over ONE crossovers are for use with two busSTRUT lengths. Each crossover is a single unit for building L, T, X crossover grid configurations. The slimline crossover locks both busSTRUT lengths with set screws.



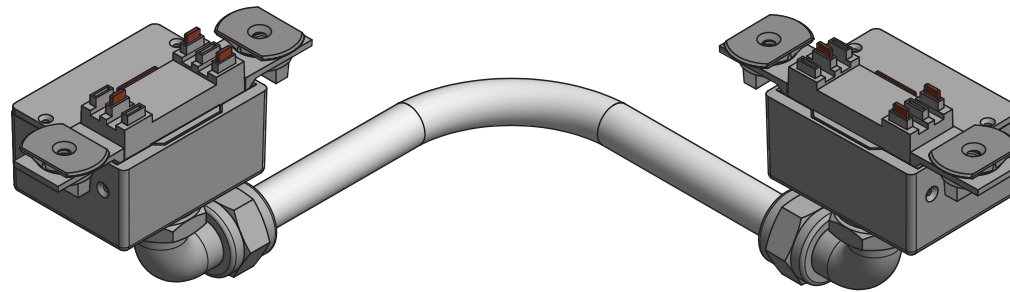
Crossovers provide the mechanical connection for building runs, rows, and grids. One universal crossover serves as an X, T, or an L intercept. The ONE over ONE crossover is used when one single-deck length of busSTRUT intersects another single-deck length of busSTRUT.

UNIVERSAL JUMPER (40/20A)

Product	Amperage	Voltage	Length	Catalog Number
JUMPER	40/20	UNIVERSAL 120/277	12"	MD4020-UNIV-JC-(F)-00-12-X

Finish (F): G=Grey B=Black W=White

UNIVERSAL Jumpers are for use with both busSTRUT/20 and busSTRUT/40. The Jumper connects power to intersecting lengths of busSTRUT. Jumpers are fused on both leads. As a result, can connect 40A lengths to 20A lengths.



Jumpers provide a three pole electrical connection for building X,T,L configurations. One Jumper powers intersecting lengths of busSTRUT.

busSTRUT READY POWER DROP					
Product	Amperage	Finish (F)	Length of Cord (L)	Options (OP)	Catalog Number
MD	15A/120V	G=Galvanized B=Black W=White	13' 10'	SB= Straight Blade LE=Live End LELE=Twist Lock	MD15-2-120-CB15-DC-13-B-SB MD15-2-120-CB15-DC-10-B-SB MD15-2-120-CB15-DC-(L)-(F)-(OP)

