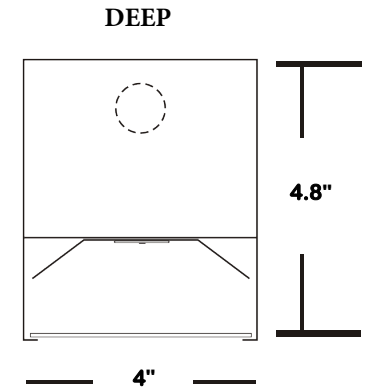
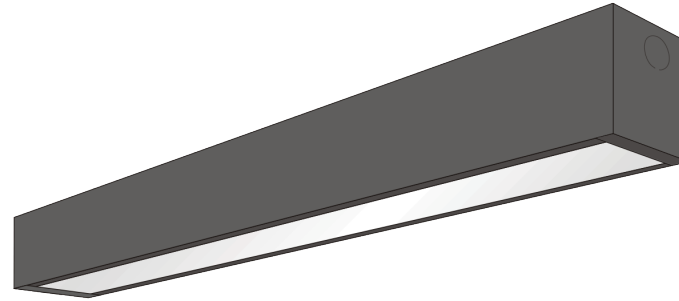


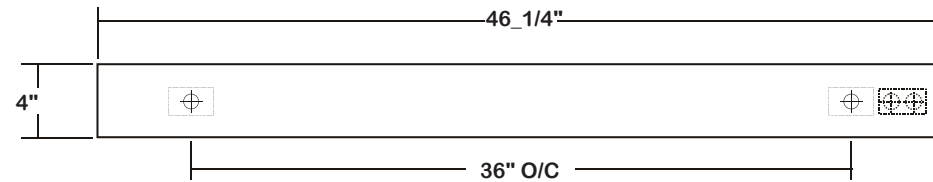
FEATURES

- 22 Ga. cold rolled steel housing. End plates are fastened to housing by sheet metal screws to assure rigidity
- Directly mounted and powered to arrive busSTRUT READY with factory installed plug & play mounting kit.



BACK PLATE

 busSTRUT™ Invisible Feed Mounting Kit



busSTRUT	Output	LENGTH	LUMENS	CCT/CRI	DELIVERED LUMENS	SYSTEM WATTS	LUMINAIRE EFFICACY	FINISH	CATALOG NUMBER
BR	Standard	4'	3,000	3,000/80+	2,385 LM	24.64W	96.79 LPW	Black (B)	BRL-4-20L-30K80-ST-WD-B
	High		6,000		4,076 LM	41.80W	97.51 LPW		BRL-4-40L-30K80-ST-WD-B