

# busSTRUT Shop Drawing Set

## Express Rectangle (Medium)

### busSTRUT SHOP DRAWING SET (ONLY)

NOT A REPLACEMENT FOR ARCHITECTURAL/ENGINEERING/  
ELECTRICAL SPECIFICATIONS. (DEFER TO THEIR DRAWINGS)

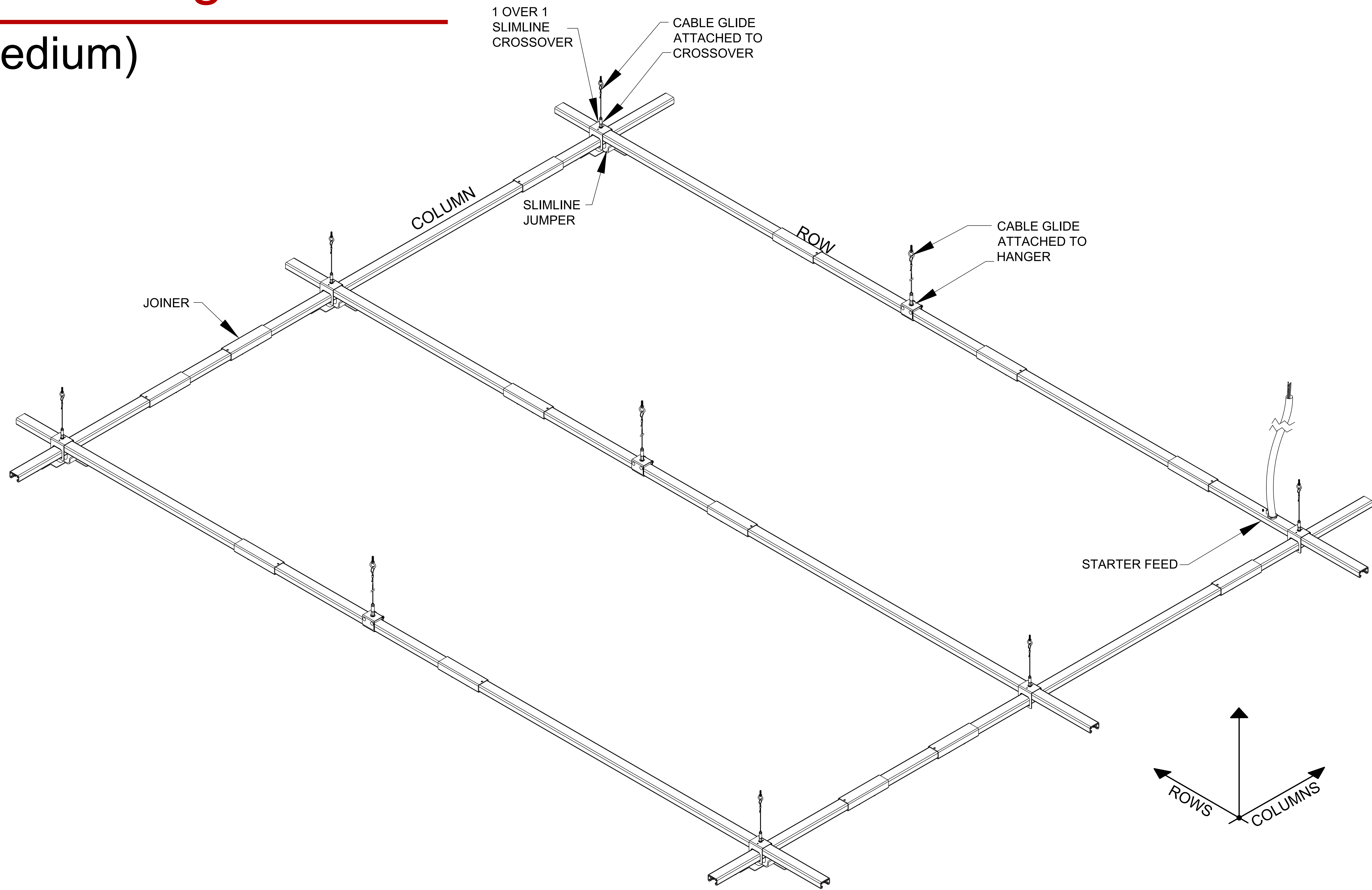
### CONTRACTOR RESPONSIBILITIES

CONTRACTOR IS RESPONSIBLE FOR:

- 1.- FOLLOWING busSTRUT CONFIGURATION MOUNTING POINT RULES.
- 2.- REFERRING TO ARCHITECTURAL PLANS FOR PLACEMENT OF LIGHTS.
- 3.- REFERRING TO ELECTRICAL PLANS FOR POWER DISTRIBUTION AND ELECTRICAL CONNECTION REQUIREMENTS.

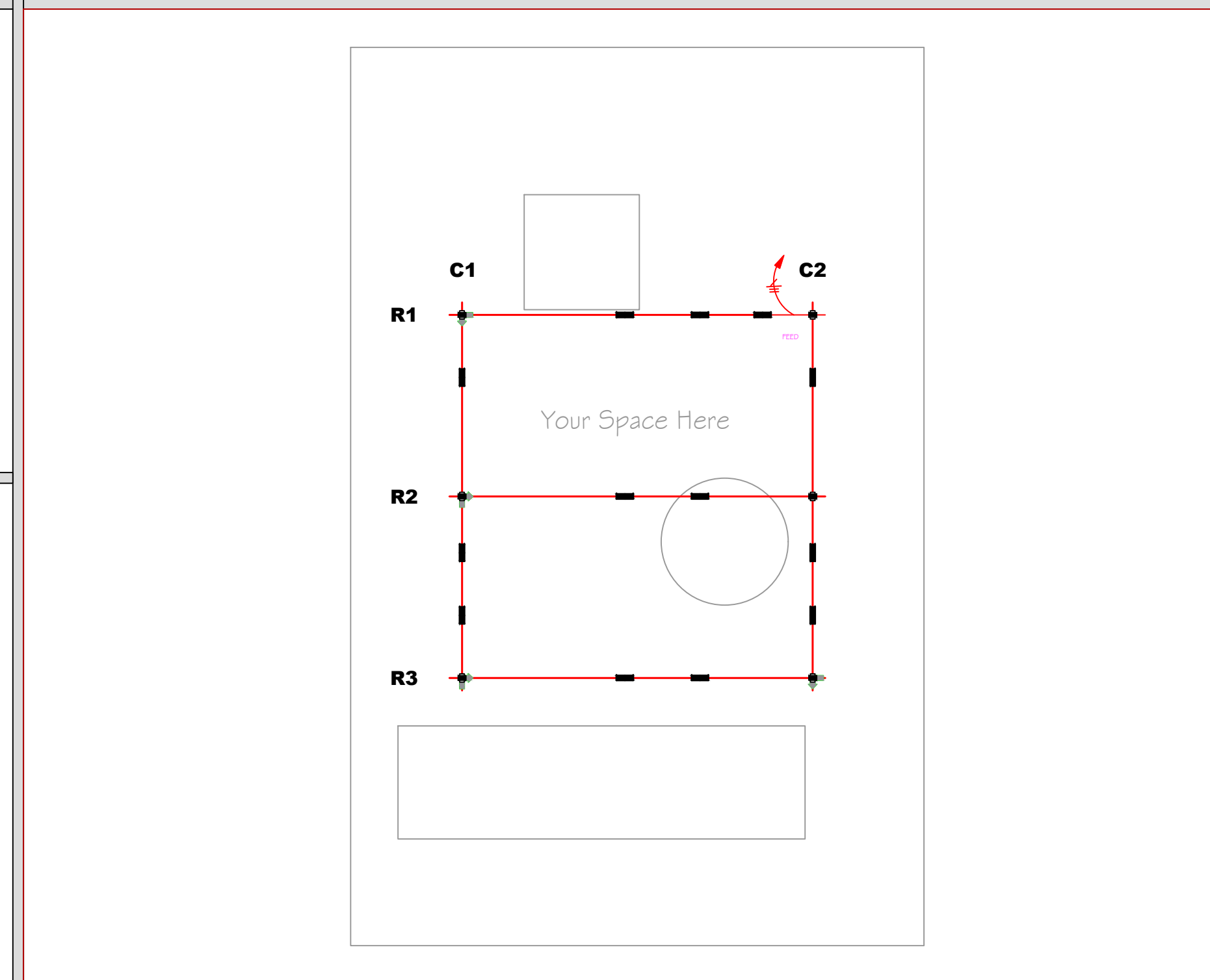
### CONNECTION TO STRUCTURE

ATTACHMENT FROM busSTRUT SYSTEM TO STRUCTURE MUST BE ENGINEERED AND INSTALLED TO PROPERLY SUPPORT THE ENTIRE SUSPENDED WEIGHT.



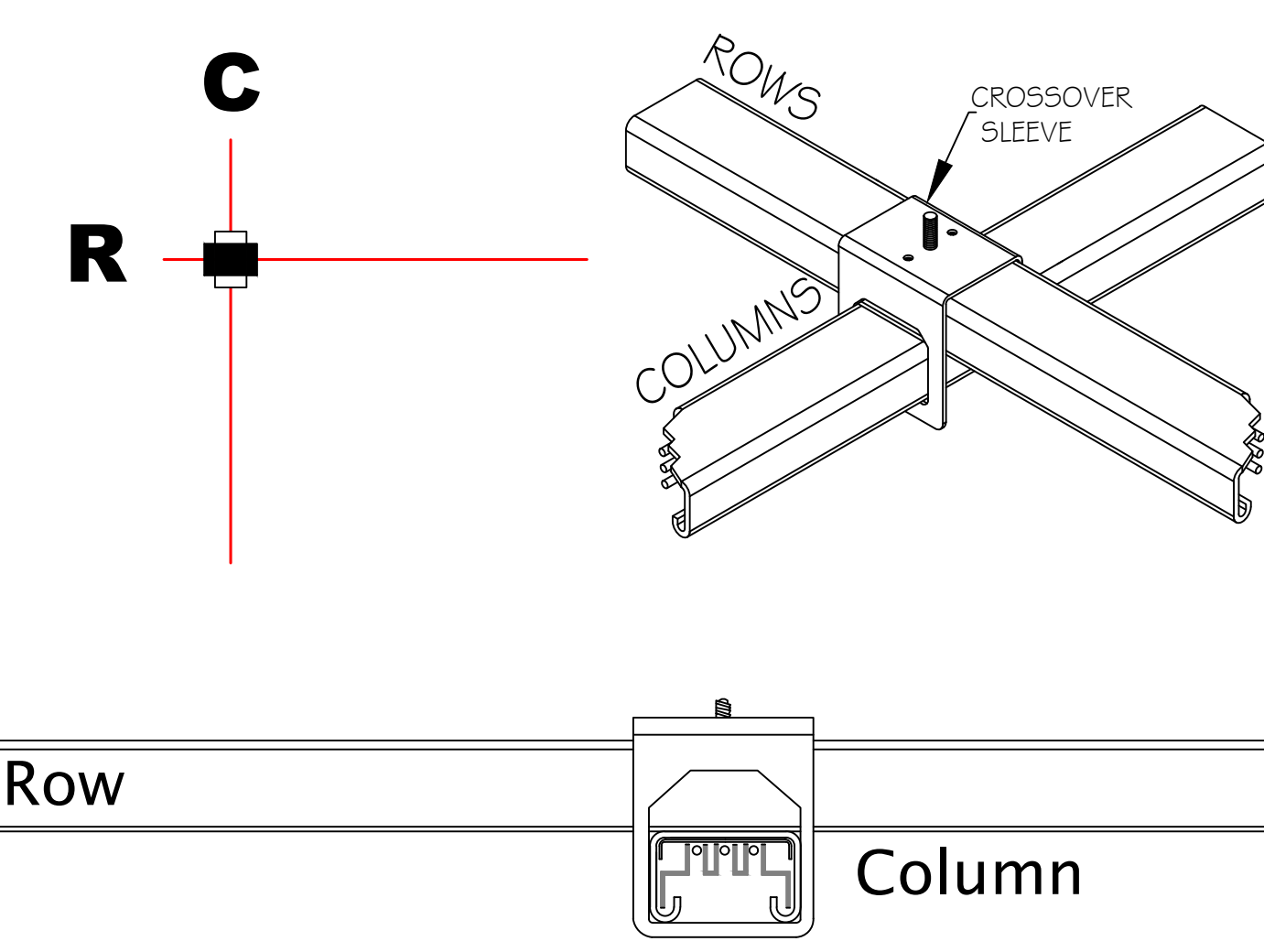
### TABLE OF CONTENTS

<b>E-b01</b> <b>E-b02</b>	Typical Installation Instructions
<b>E-b1</b> <b>E-b2</b>	Lighting Plan, BOM, & Labor Hours Assembly Plan



### KEY MOUNTING RULES

Rows are to be mounted on top of Columns.  
Crossover sleeve runs with Rows.



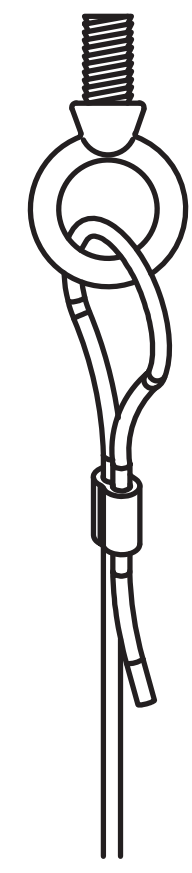
### Legend

- busSTRUT 20 / Single Deck
- 30" Starter Feed
- Joiner
- 1/1 Slimline Crossover
- Slimline Jumper

### APPROVAL

# STEP 1

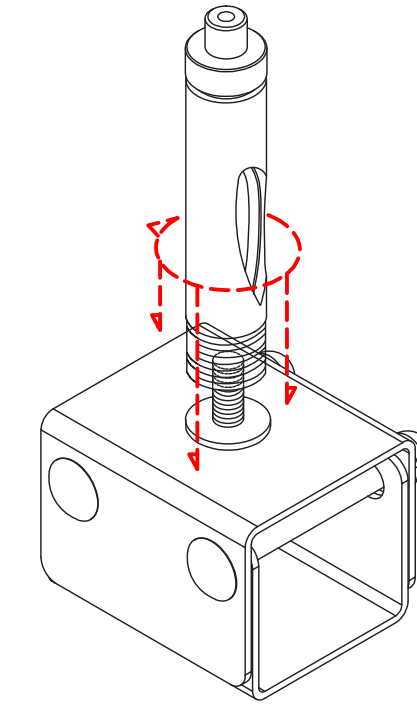
## SUSPENDING busSTRUT



### 1 SUSPEND CABLES (CG-XX)

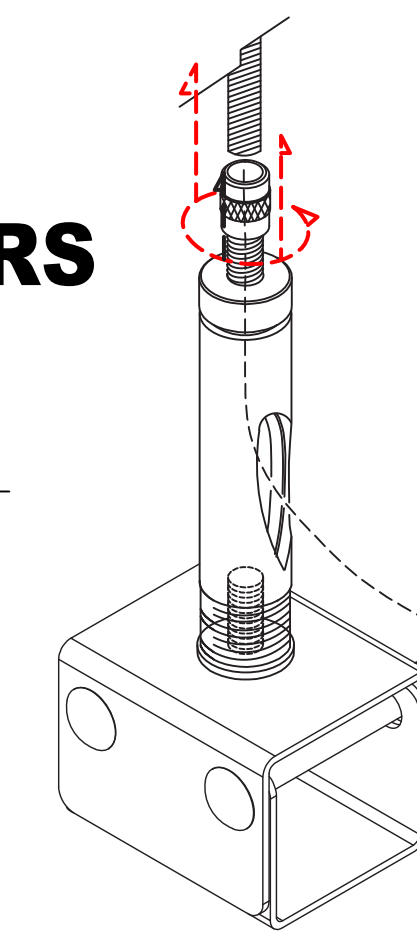
ATTACH CABLE ASSEMBLY TO STRUCTURE

\*It is the contractor and/or engineer's responsibility to determine correct connection to structure (beam clamp, etc).



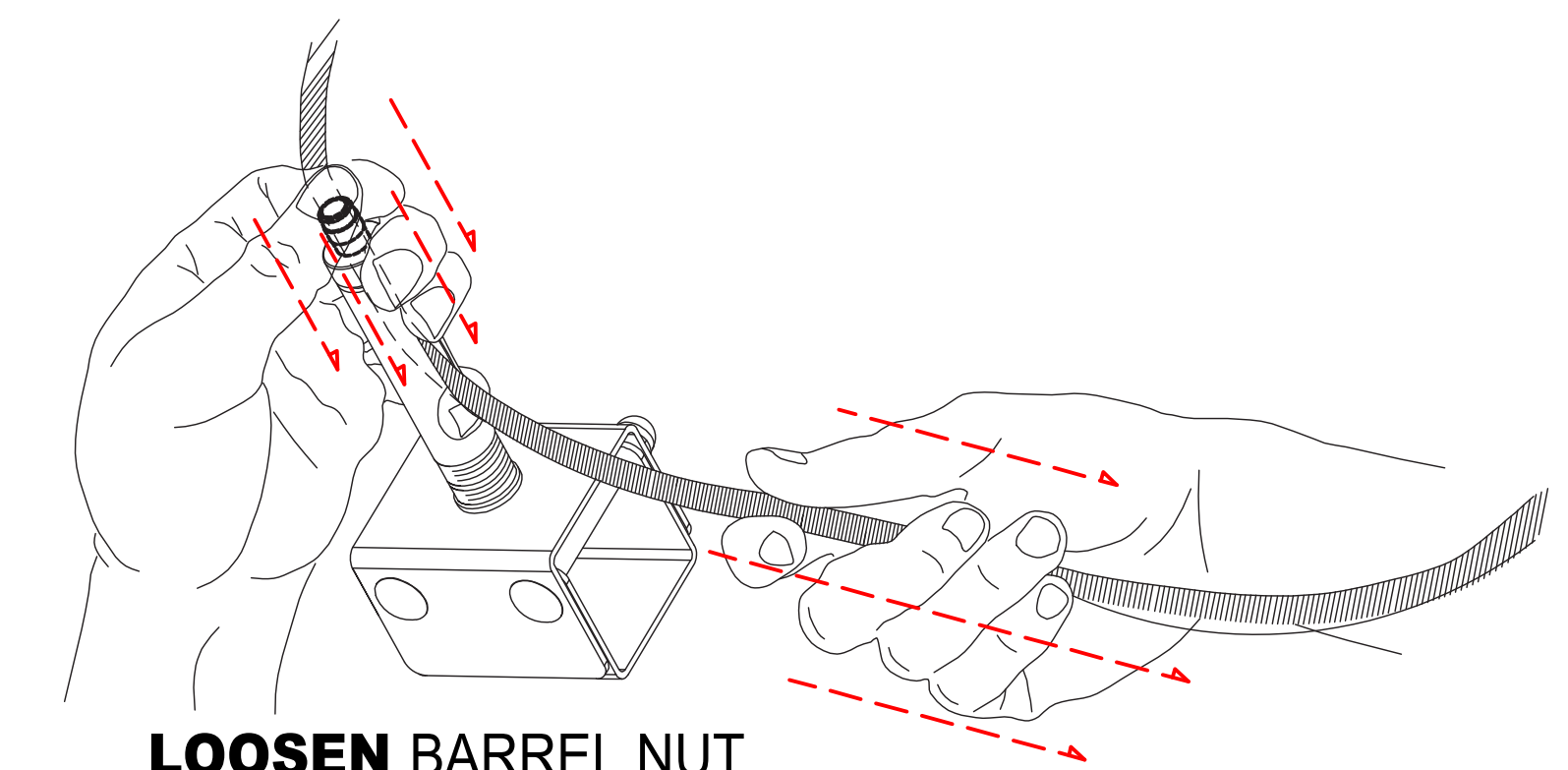
### 2 ASSEMBLE HANGERS (HM-S)

ASSEMBLE HANGERS AND ATTACH CABLE GLIDE



### 3 ATTACH HANGERS TO CABLES (CG-XX)

FEED CABLES THROUGH GLIDE TO ATTACH



LOOSEN BARREL NUT  
PUSH CABLE THROUGH  
PULL CABLE FOR SLACK

## SLIDE busSTRUT THROUGH SUSPENDED HANGERS

### Assemble

Create cable suspended runs of busSTRUT. Usually, these are running perpendicular to structural joists. Insert busSTRUT lengths through hangers/crossovers working from FINISHED HEIGHT.

FINISHED HEIGHT

\*It is the contractor and/or engineer's responsibility to determine correct connection to structure (beam clamp, etc).

## LEVEL busSTRUT AND TRIM CABLE

FINISHED HEIGHT

CUT CABLE  
Leave enough pass through cable for future leveling

BE SURE TO FOLLOW busSTRUT MOUNTING RULES (SEE busSTRUT shop drawings)

# STEP 2

## INSERT JOINERS

ATTACH JOINERS TO EACH END OF CONNECTING busSTRUT

### JOINERS (M-JB)

Joiners are used to mechanically and electrically connect individual busSTRUT lengths.

## TIGHTEN JOINERS

TIGHTEN SET SCREWS ON THE BOTTOM OF THE JOINER

\*Joiners require 3/32 Hex key for tightening set screws\*

## ATTACH INSERT

ATTACH JOINERS TO EACH END OF CONNECTING busSTRUT

Line up center of insert with etched centerline on joiner sleeve

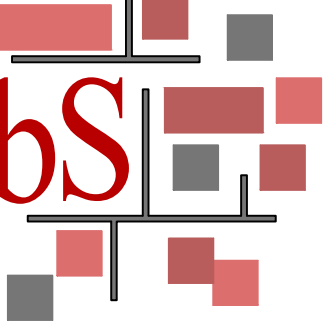
### JOINER INSERT (M-JI-X)

A single piece unit that is installed with two knobs, one must be fully turned in each abutting length. As a result, power can continue to flow from one length to the next.

Turn the first knob

Squeeze tightly on the opposite side, then turn the second knob to secure the electrical connection.

\*\*Installation Instruction Guidelines are provided only as that, informative guidelines. Defer to architectural/engineering drawings tailored to the specific project.



busSTRUT  
805 Hilldowne Road  
Suite C  
Westerville, OH  
43081

TEL: 614.933.8695  
E-MAIL: INFO@BUSSTRUT.COM  
WWW.BUSSTRUT.COM

DESIGNED BY  
LARRY GELLERT

CHECKED BY  
JOHN LOCH

DRAWN BY  
JOHN LOCH

DATE  
11/01/2024

FOR  
BID / REVIEW

TYPICAL  
busSTRUT Installation Instructions

busSTRUT SHOP DRAWING SET (ONLY)  
NOT A REPLACEMENT FOR  
ARCHITECTURAL /  
ENGINEERING OR ELECTRICAL  
DRAWINGS

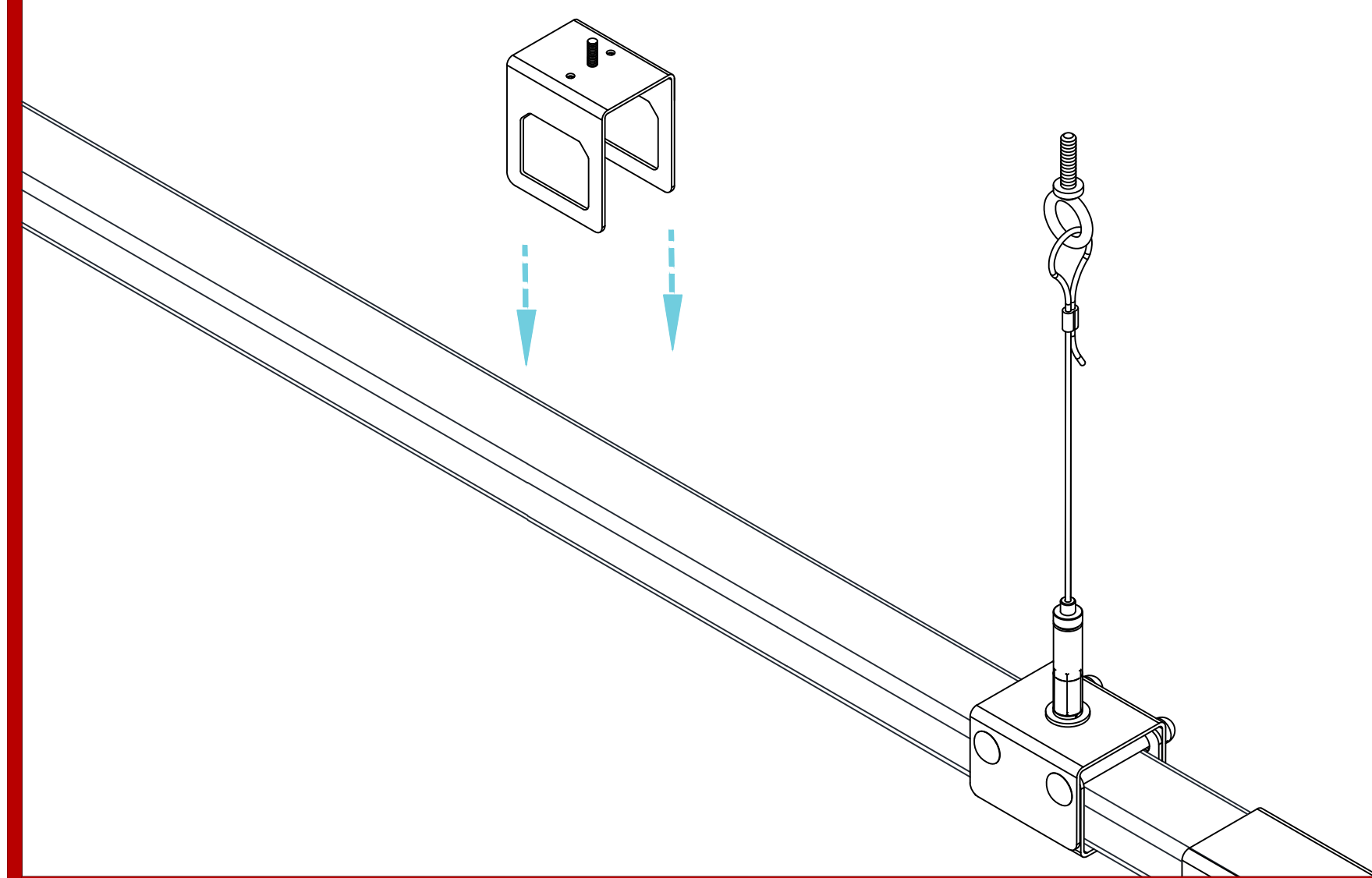
NO.	DATE	REVISION DESCRIPTION
XX	XXXX	PERSON DESCRIPTION

PAPER SIZE:  
ARCH E (48x36)  
NOT TO SCALE  
DRAWING NUMBER  
E-b01

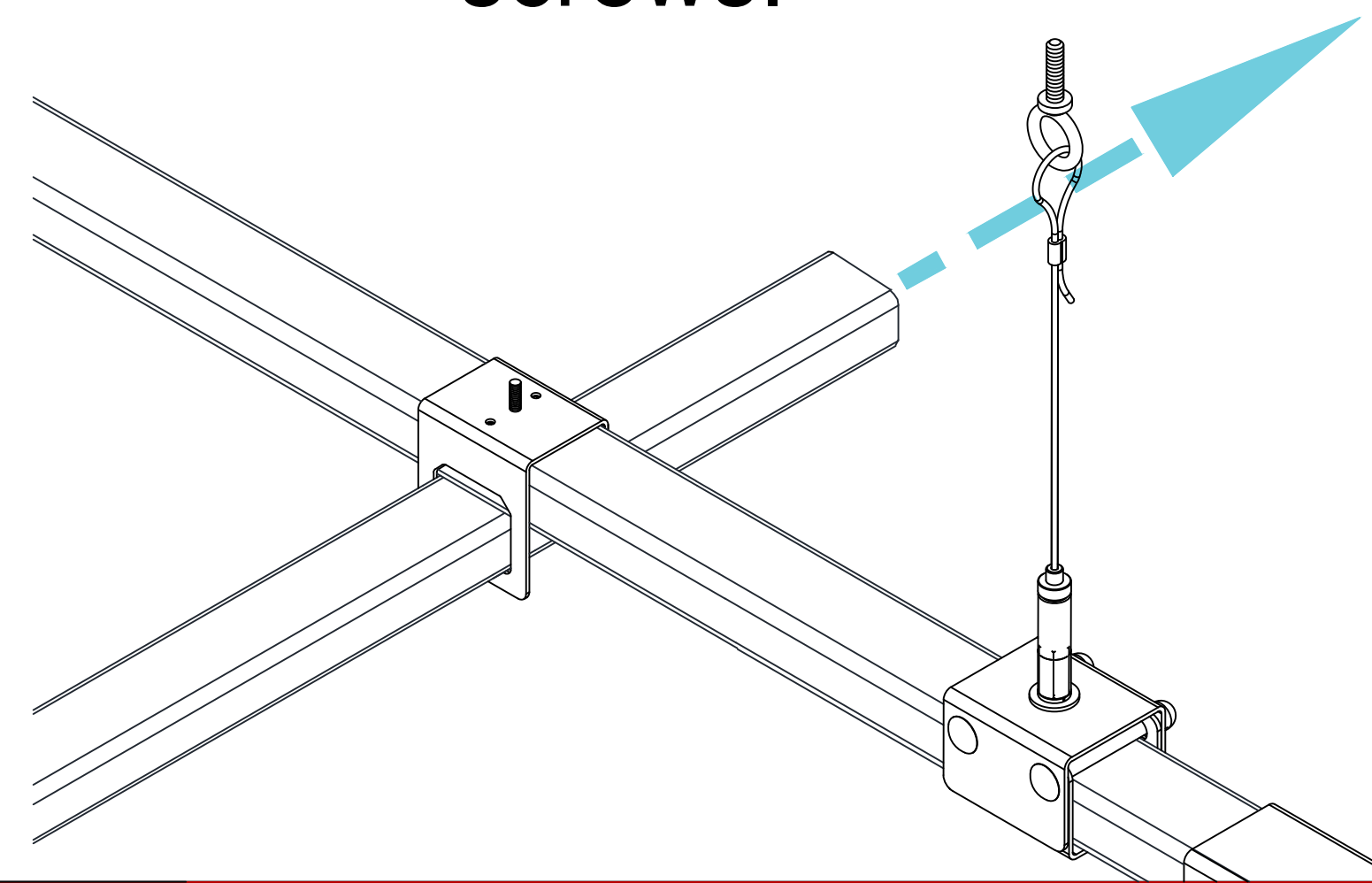
# STEP 3

## INSTALLING CROSSOVERS DROPPING ON

Crossovers can be dropped onto suspended busSTRUT to create an intersection with a perpendicular run of busSTRUT.

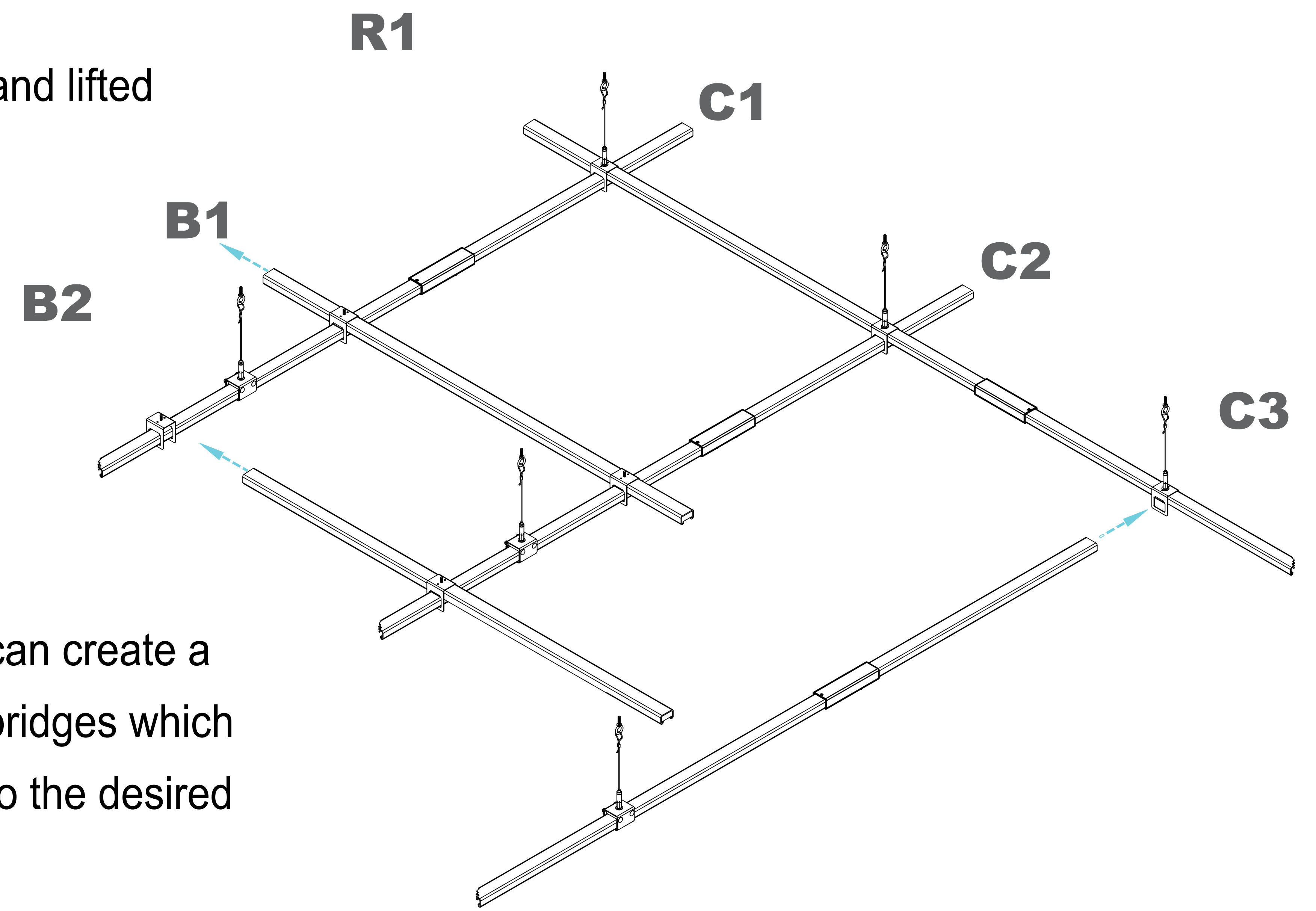


Slide perpendicular runs of busSTRUT through the crossover and tighten the set screws.



## SLIDING ON

Crossovers can be slid into position and lifted to create perpendicular bridges.

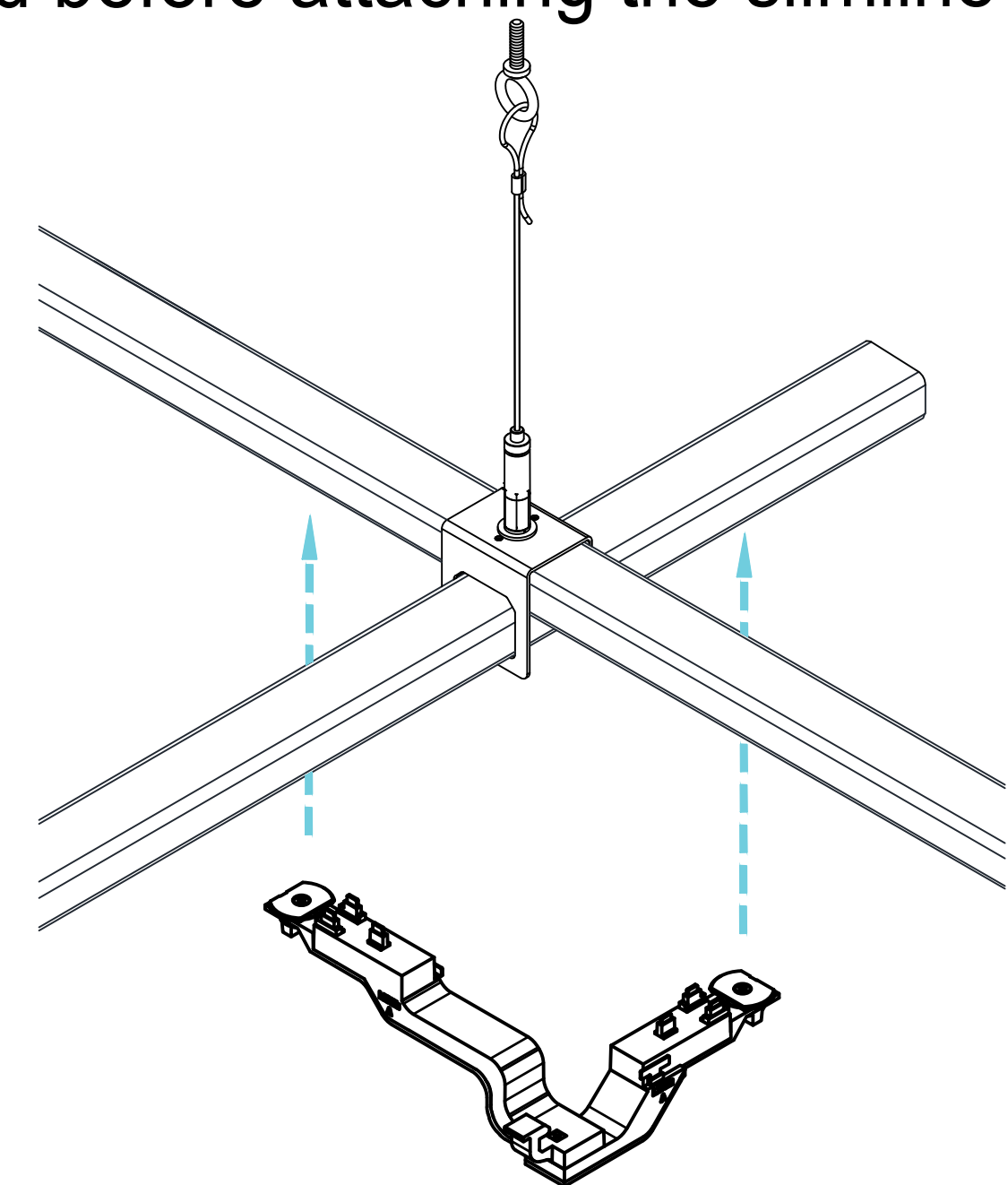


Perpendicular runs can create a full grid or be short bridges which are easily moved into the desired position.

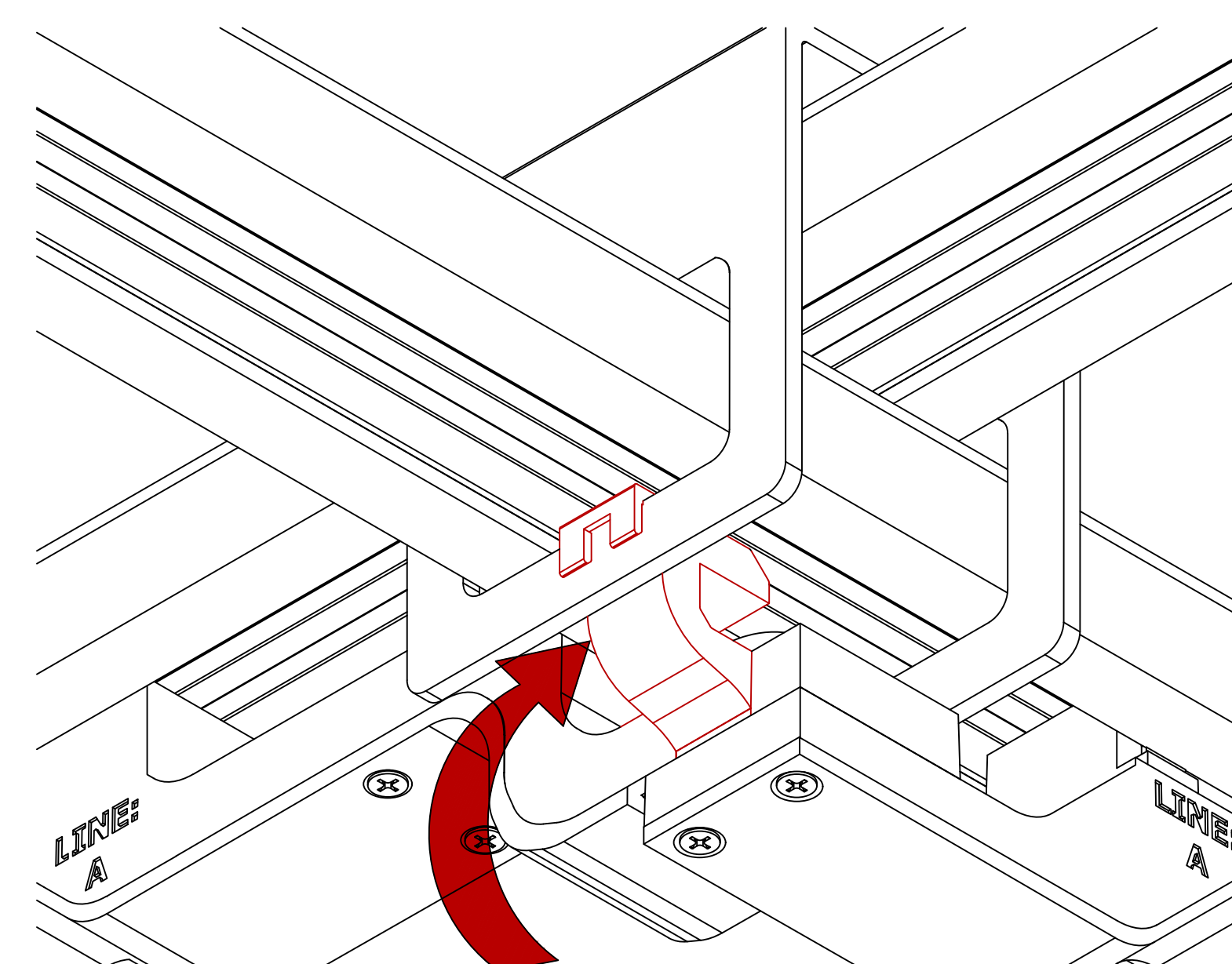
# STEP 4A

## SLIMLINE JUMPER

Make sure that the slimline crossover is tightened before attaching the slimline jumper.

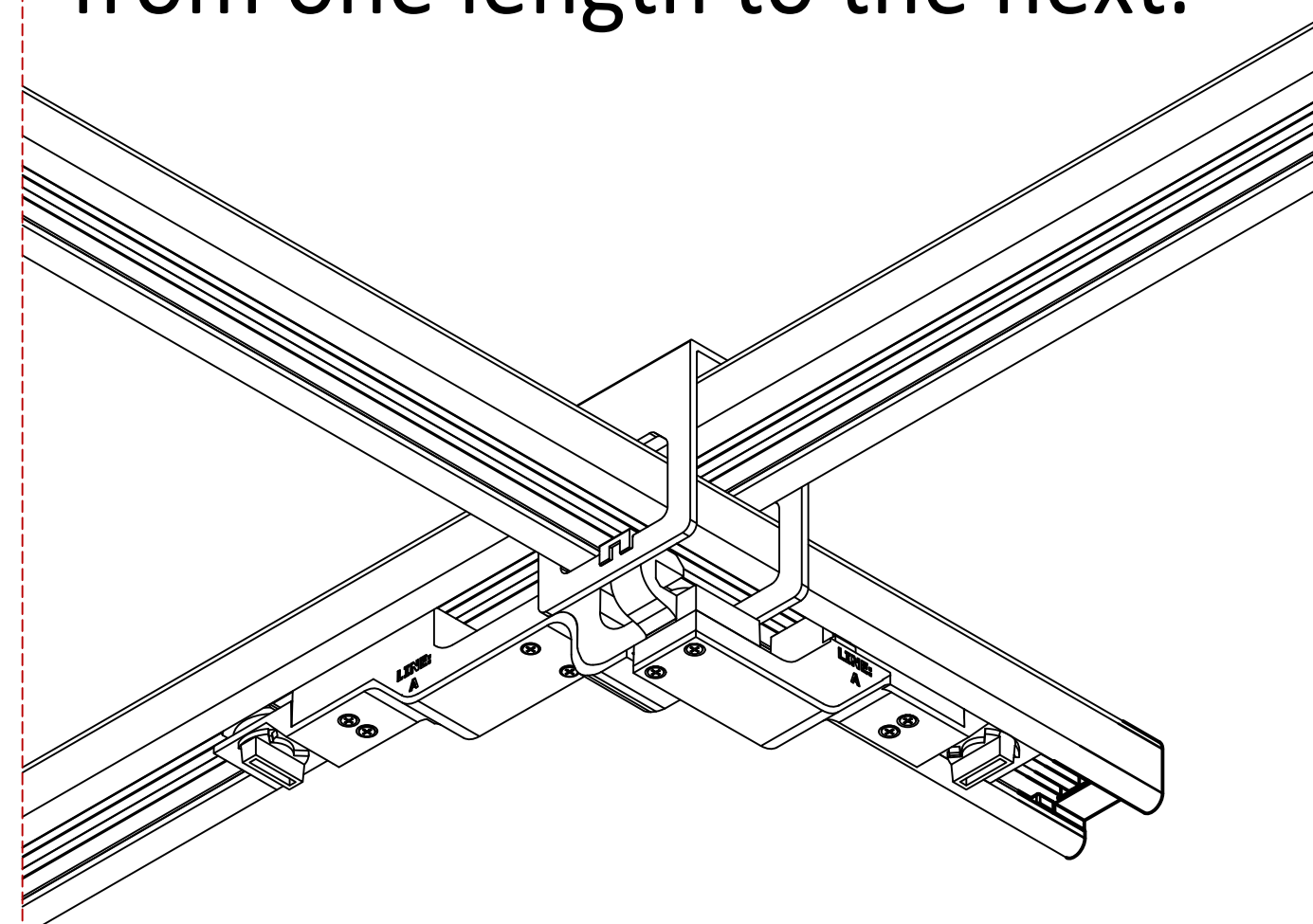


First, clip the jumper to the crossover.

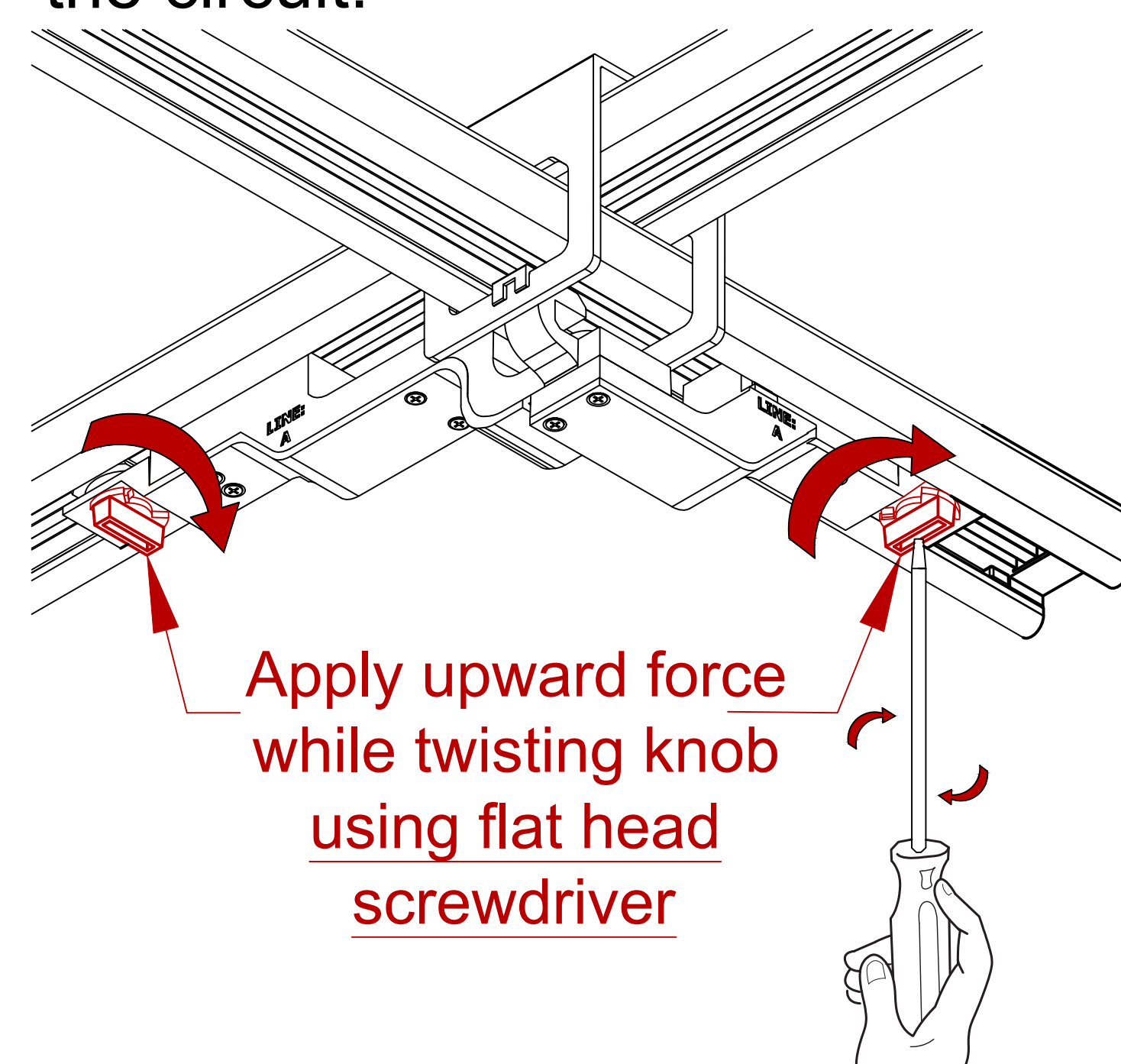


### SLIMLINE JUMPER (MD2020-UNIV-IJ2-B-X)

A single piece unit that is installed with two knobs, one must be fully turned in each abutting length. As a result, power can continue to flow from one length to the next.



Seat the jumper into the busSTRUT by squeezing tightly on one side and turning the knob. Then, turn the other knob to complete the circuit.

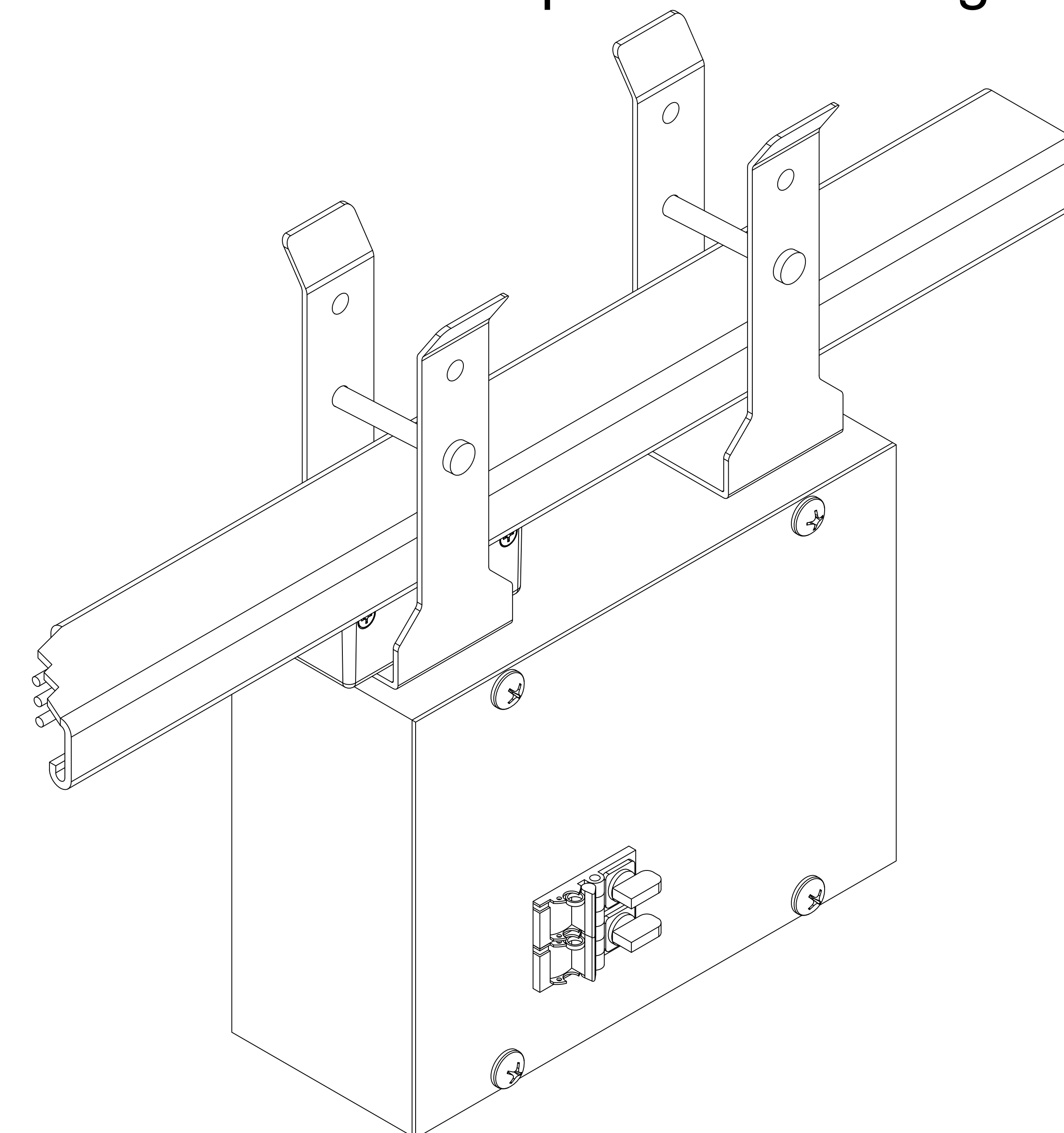


Apply upward force while twisting knob using flat head screwdriver

# STEP 4B

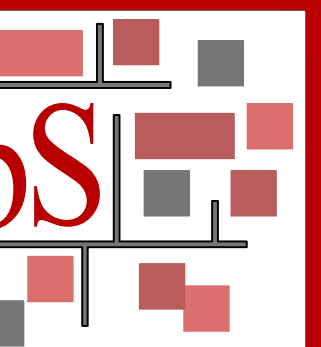
## LINE FEEDS

Install line feeds on busSTRUT to power the configuration.



## 20A LINE FEED

Shown on single decked busSTRUT



busSTRUT  
805 Hillside Road  
Suite C  
Westerville, OH  
43081  
TEL: 614.933.8695  
E-MAIL: INFO@BUSSTRUT.COM  
WWW.BUSSTRUT.COM

DESIGNED BY  
LARRY GELLERT  
CHECKED BY  
JOHN LOCH  
DRAWN BY  
JOHN LOCH  
DATE  
11/01/2024  
APPROVED BY  
BID/REVIEW

TYPICAL  
busSTRUT Installation Instructions

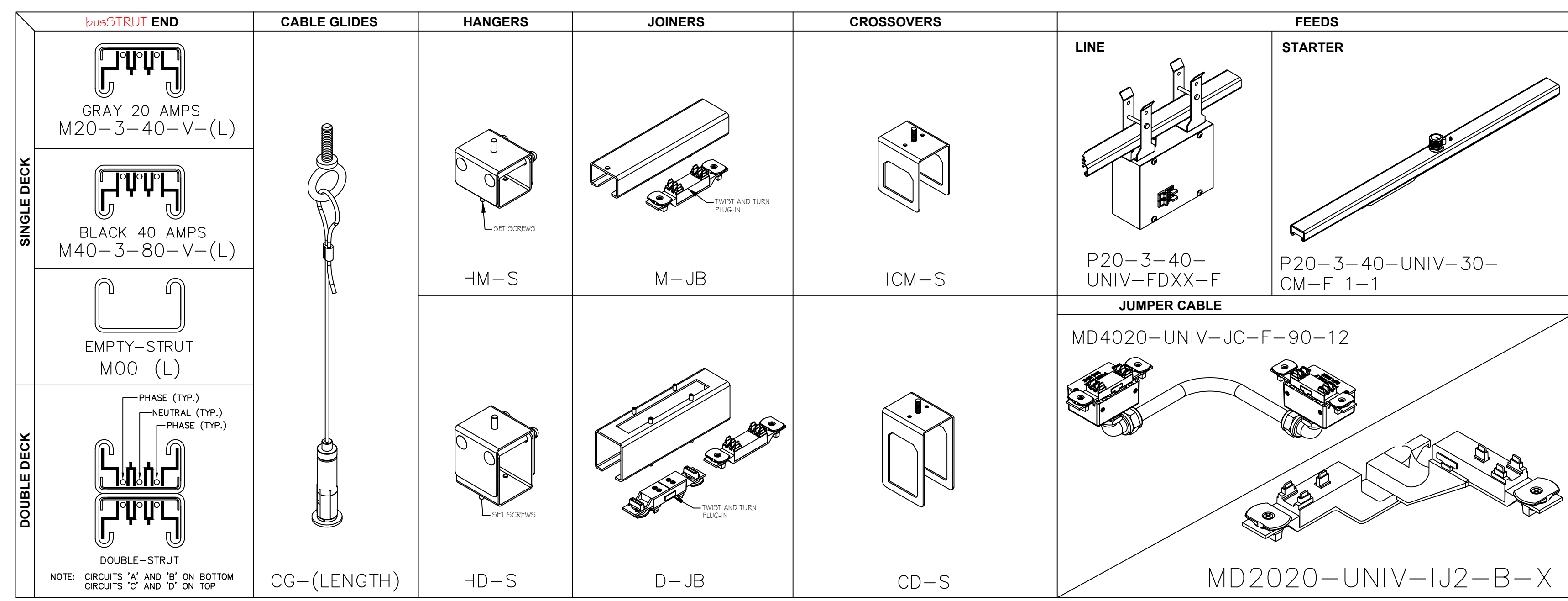
BUSSTRUT  
SHOP DRAWING SET(ONLY)  
NOT A REPLACEMENT FOR  
ARCHITECTURAL/  
ENGINEERING OR ELECTRICAL  
DRAWINGS

NO.	DATE	REV.	DESCRIPTION

PAPER SIZE:  
ARCH E (48x36)  
NOT TO SCALE  
DRAWING NUMBER  
E-b02

\*\*Installation Instruction Guidelines are provided only as that, informative guidelines. Defer to architectural/engineering drawings tailored to the specific project.

# busSTRUT Parts



**busSTRUT** 12 gauge 1" x 1" x 1.58" STEEL. **busSTRUT** features two Hot wire symmetrically surrounding a center Neutral. The result, two 20 Amp circuits 40 Amps Maximum with **busSTRUT** (20) alternatively two 40 Amp circuits 80 Amps Maximum with **busSTRUT** (40). 2, 5, 5, 10, and 20' lengths. Rated for up to 277/480V. Double decks with standard hardware for trunking.

**BRAIDED CABLE WITH GLIDE:** For use with **busSTRUT**. Hangers/Crossovers. Includes cable-glides and cables with factory assembled cable looped threaded 1/4-20" eye bolt.

**HANGERS:** Single and Double Hangers are for use with **busSTRUT**. Each is an assembled two-part unit. The upper piece includes a threaded stud for use with **busSTRUT** cable-glides.

**JOINERS:** Single and Double are for use with **busSTRUT**. Lengths are joined together mechanically with the 8" steel sleeve. Electrical Joiner-Kits include both a Twist & Turn Plug to electrical insert to bridge power. And continuous grounding wires through the bus itself by means of a permanently affixed copper grounding bar.

**CROSSOVERS:** For use with intersecting **busSTRUT**. Each is an assembled two-part unit for building grid configurations and bridges. The upper piece includes a threaded stud for use with **busSTRUT** cable-glides.

**JUMPERS:** For use with both **busSTRUT** (20) and **busSTRUT** (40). The fused 400Z Jumper Cables can be used to electrically connect **busSTRUT** (40) Trunks to **busSTRUT** (20) Branches and/or electrically connecting **busSTRUT** (20) to **busSTRUT** (20).

**LINE FEEDS:** For use with powering single-decked **busSTRUT**. Junction Box features energy code type "Tentative" (Overcurrent protection) and 3 Pole Fuses. Available up to 277/480V. Can be positioned anywhere along **busSTRUT** to reduce the lengths of trunks.

**STARTER FEEDS:** For use with powering single-decked **busSTRUT**. Utilized when no current limiting is required on the **busSTRUT**. Must be positioned at the beginning of a run.

# Bill of Materials

RECTANGLE Medium		busSTRUT Bill of Materials														Drawn By	John Loch					
		Finish TBD: Galvanized, White, or Black														Checked By	John Loch					
																Date	11/1/2024					
R/C	Amps	LF	BF	busSTRUT LENGTHS				busSTRUT Hardware					busSTRUT POWER					GEN	ACT			
				busSTRUT 20				Joiners	Hangers	C-GI	Xover	Jcord	Line	STARTER FEED CENTER MOUNT	POWER DROP	GEN	ACT					
R/C	Amps	LF	BF	2.5	3	5	7	M	INS	NE-INS	M	DB	C-GI	1/1	12"	INVS	JK	30ST	PD	WW	LUCY	
Rows																						
R1	20	15	15	1	1		1	3	3		1		3	2				1				
R2	20	15	15		1	1	1	2	2		1		3	2								
R3	20	15	15		1	1	1	2	2		1		3	2								
<b>SUB TOTAL</b>		<b>45</b>	<b>45</b>	<b>1</b>	<b>3</b>	<b>2</b>	<b>3</b>	<b>7</b>	<b>7</b>		<b>3</b>		<b>9</b>	<b>6</b>				<b>1</b>				
Columns																						
C1	20	15.5	15.5	1	2		1	3	3													
C2	20	15.5	15.5	1	2		1	3	3													
<b>SUB TOTAL</b>		<b>31</b>	<b>31</b>	<b>2</b>	<b>4</b>		<b>2</b>	<b>6</b>	<b>6</b>													
<b>STORE TOTAL</b>		<b>76.0</b>	<b>76.0</b>	<b>3</b>	<b>7</b>	<b>2</b>	<b>5</b>	<b>13</b>	<b>13</b>		<b>3</b>		<b>9</b>	<b>6</b>				<b>1</b>				

# Labor Hours

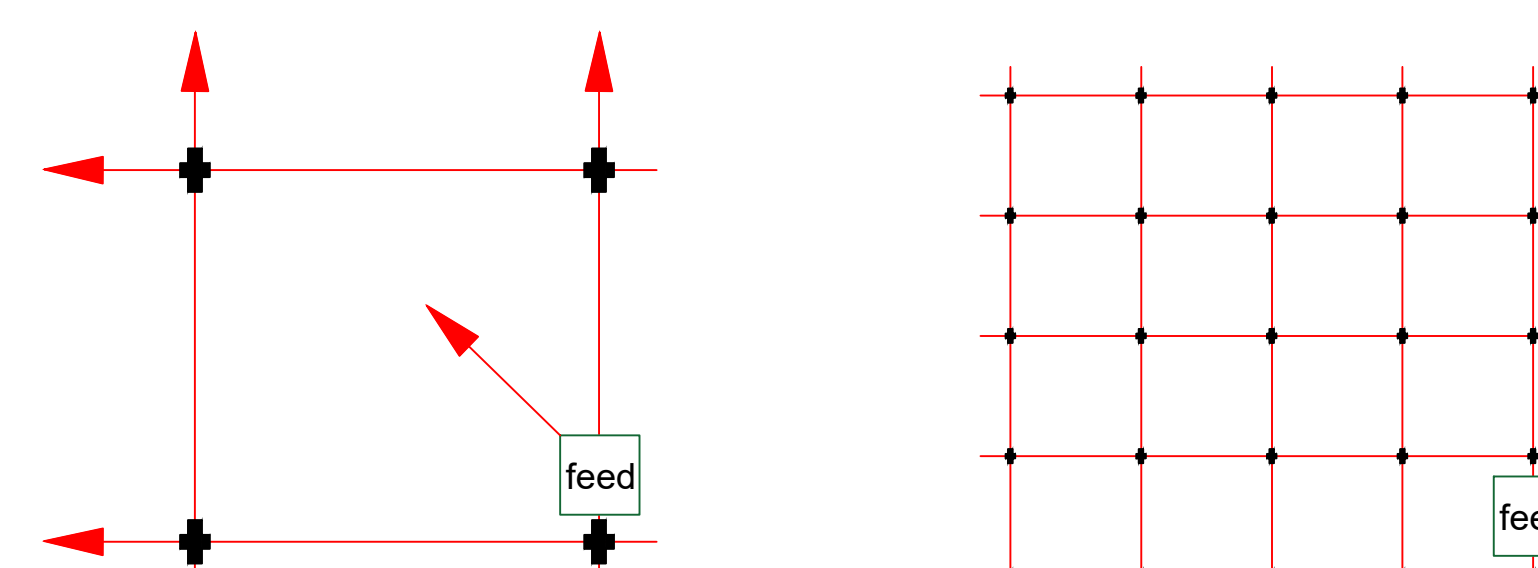
busSTRUT provides time-tested standard labor hours per part, which are then multiplied by the project's Bill of Materials.

busSTRUT LABOR				
ITEMS	Qty.	U/M	STANDARDIZED LABOR HOURS	TOTAL HRS
			min. hrs. @0	
LENGTHS	76	LF	2.75	0.05 = 3
JOINERS	13	EA	12	0.20 = 3
HANGERS	9	EA	25	0.42 = 4
CROSSOVERS	6	EA	10	0.17 = 1
ATTACHMENTS		EA	8	0.13 = 0
JUMPERS	4	EA	6	0.10 = 0
FEEDS	1	EA	15	0.25 = 0
<b>busSTRUT SUB-TOTAL</b>				<b>11</b>
ACCENT		EA	8	0.13 = 0
LINEARS		EA	20	0.33 = 0
<b>busSTRUT READY LIGHTS SUB-TOTAL</b>				<b>0</b>
<b>TOTAL TIME</b>				<b>11</b>

busSTRUT system is designed to be BID separately.

Bid from the feeds-in.

\* Powered by a minimal amount of feed boxes.

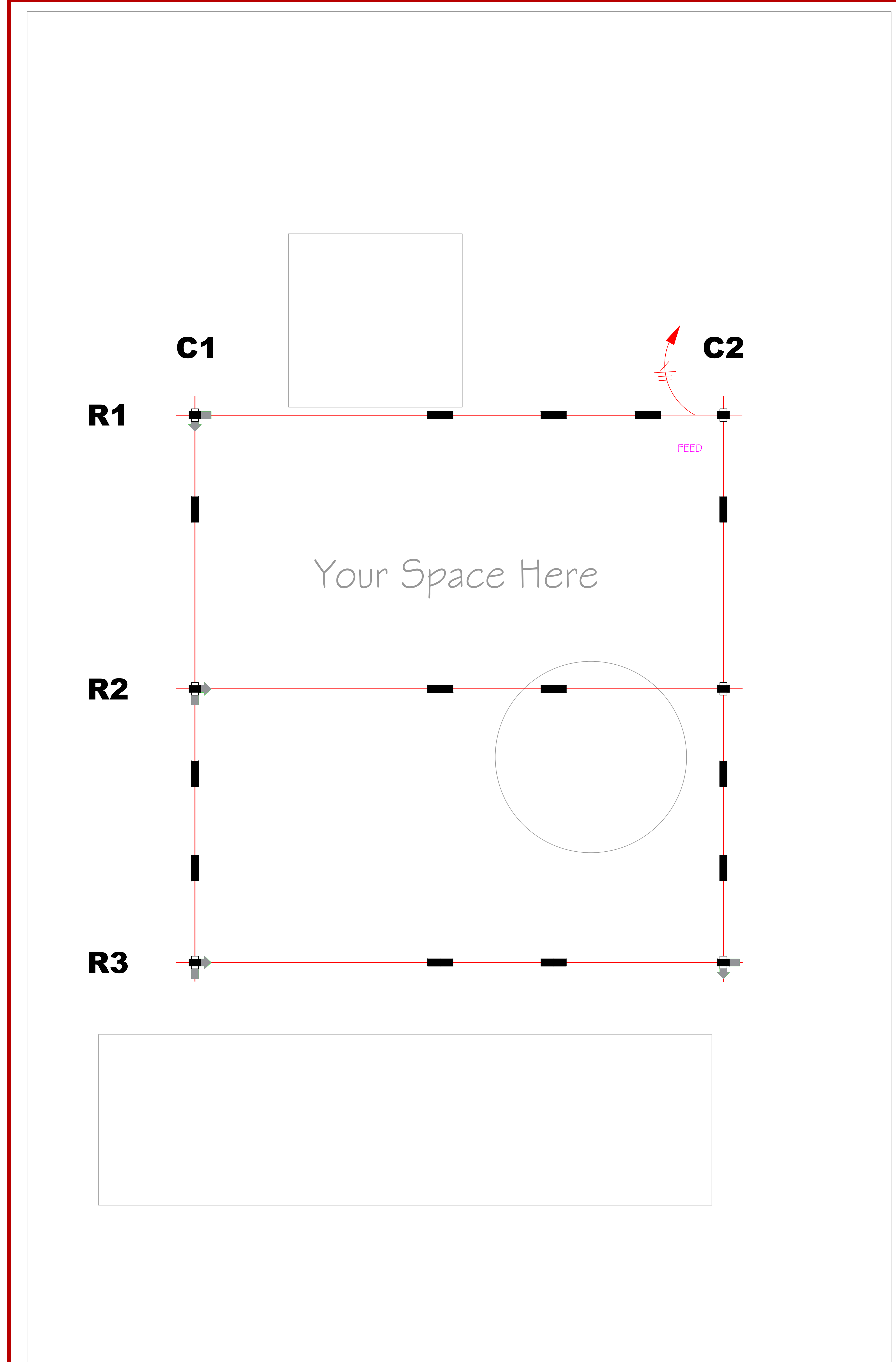


# Legend

- busSTRUT 20 / Single Deck
- 30" Starter Feed
- Joiner
- 1/1 Slimline Crossover
- Slimline Jumper

# Lighting Plan

**busSTRUT LIGHTING PLAN ONLY**  
THIS DRAWING IS MEANT TO SHOW THE LOCATION OF busSTRUT LIGHTS ONLY. IT IS NOT A REPLACEMENT FOR: ARCHITECTURAL / ENGINEERING / ELECTRICAL SPECIFICATIONS. (SEE THEIR DRAWINGS)



# Lighting Plan & Bill of Materials Rectangle Medium

busSTRUT SHOP DRAWING (SET ONLY) NOT A REPLACEMENT FOR ARCHITECTURAL / ENGINEERING OR ELECTRICAL DRAWINGS

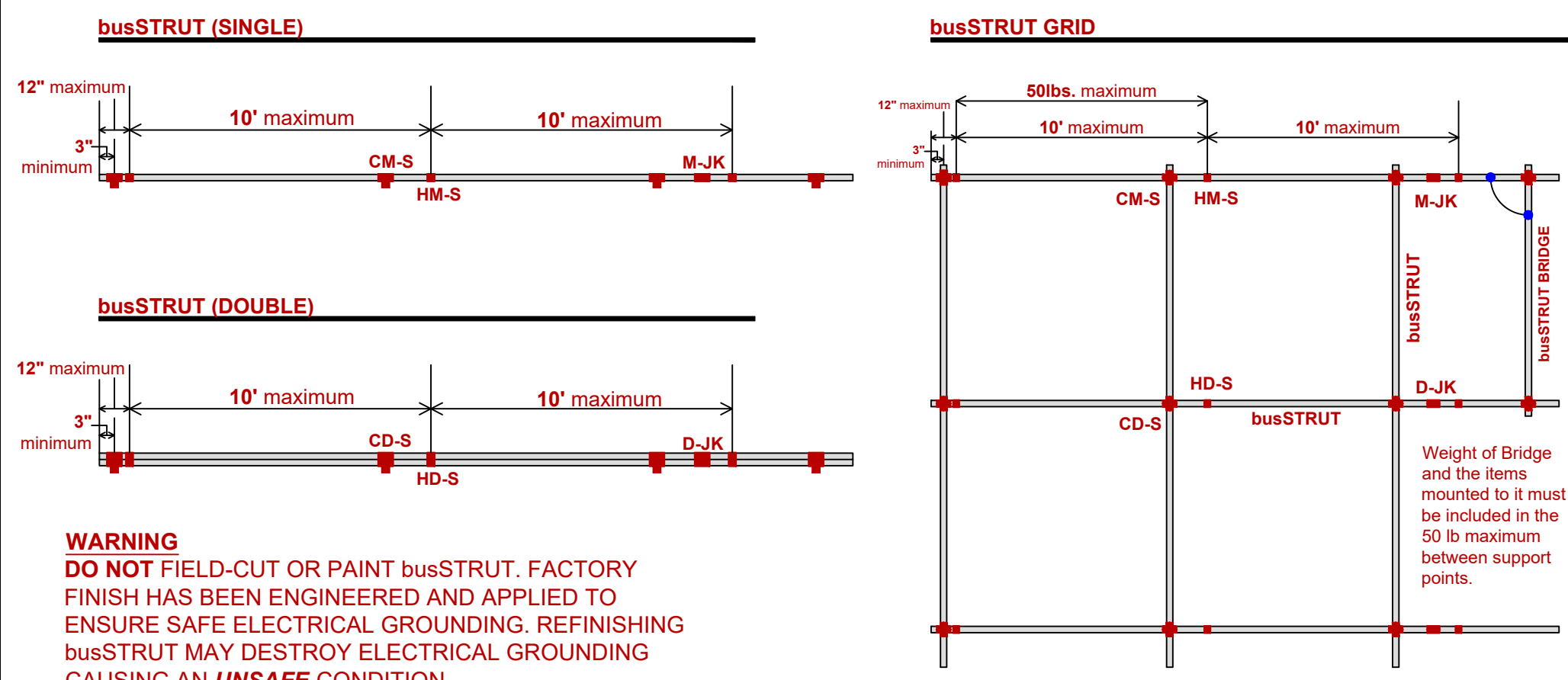
NO.	DATE	REVISION DESCRIPTION
XX	XXXX	
XX-XX-XX		

PAPER SIZE: ARCH E (48x36)  
SCALE 3/4" = 1'-0"  
DRAWING NUMBER E-b1

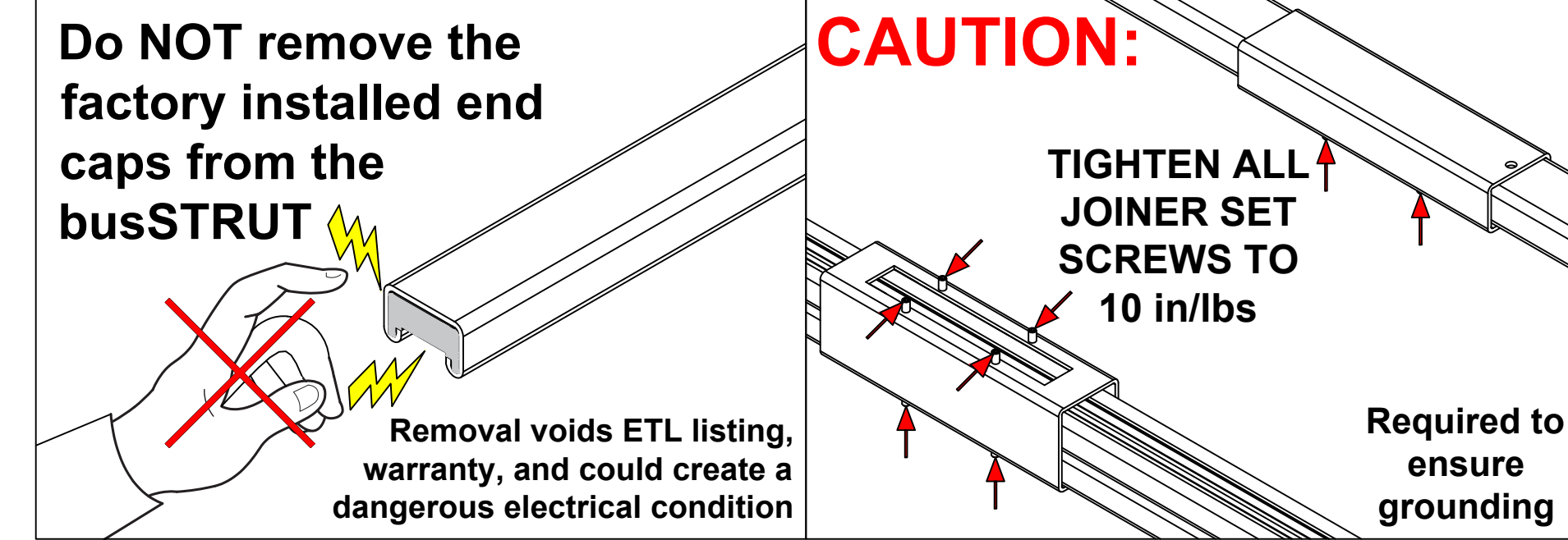
**busSTRUT**  
805 Billadowne Road  
Suite C  
Westerville, OH 43081  
TEL: 614.933.8895  
E-MAIL: INFO@BUSSTRUT.COM  
WWW.BUSSTRUT.COM

DESIGNED BY: LARRY GELLERT  
CHECKED BY: JOHN LOCH  
DRAWN BY: JOHN LOCH  
DATE: 11/01/2024  
REVISION: BID/REVIEW

# Mounting Rules



**WARNING**  
DO NOT FIELD-CUT OR PAINT busSTRUT. FACTORY FINISH HAS BEEN ENGINEERED AND APPLIED TO ENSURE SAFE ELECTRICAL GROUNDING. REFINISHING busSTRUT MAY DESTROY ELECTRICAL GROUNDING CAUSING AN UNSAFE CONDITION.



**DISTANCE:**  
10' MAXIMUM 10' spacing between support points

12" Support point must be within 12" from every end or corner

3" MINIMUM 3" of busSTRUT to be exposed beyond end of mounting hangers and/or crossovers

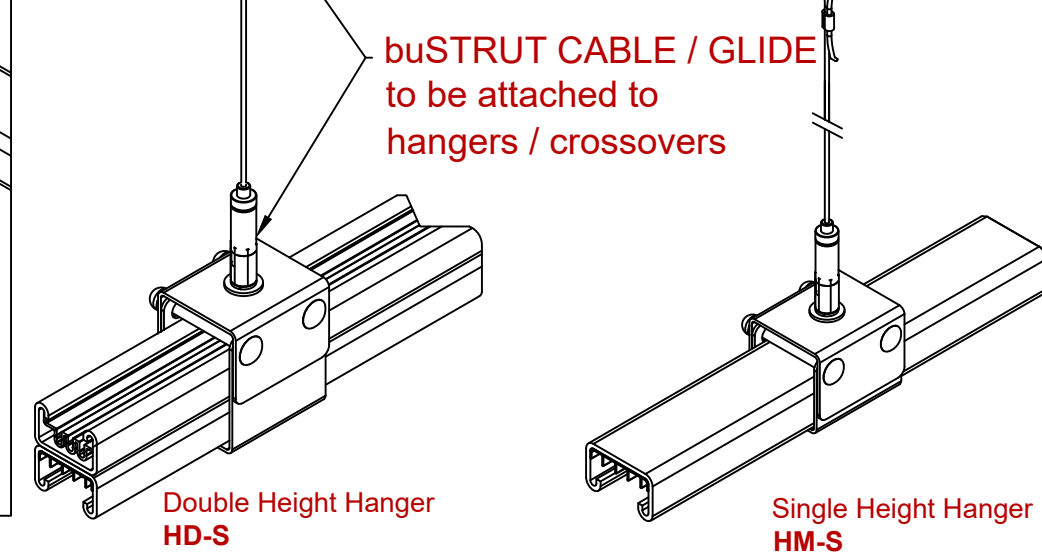
**WEIGHT:**  
50 lbs Maximum 50 pounds between support points (Include weight of busSTRUT System)

**FITTERS**  
40 lbs The busSTRUT Flip-Fitters (with metal bracket) are rated for 40 lbs maximum static, vertical load.

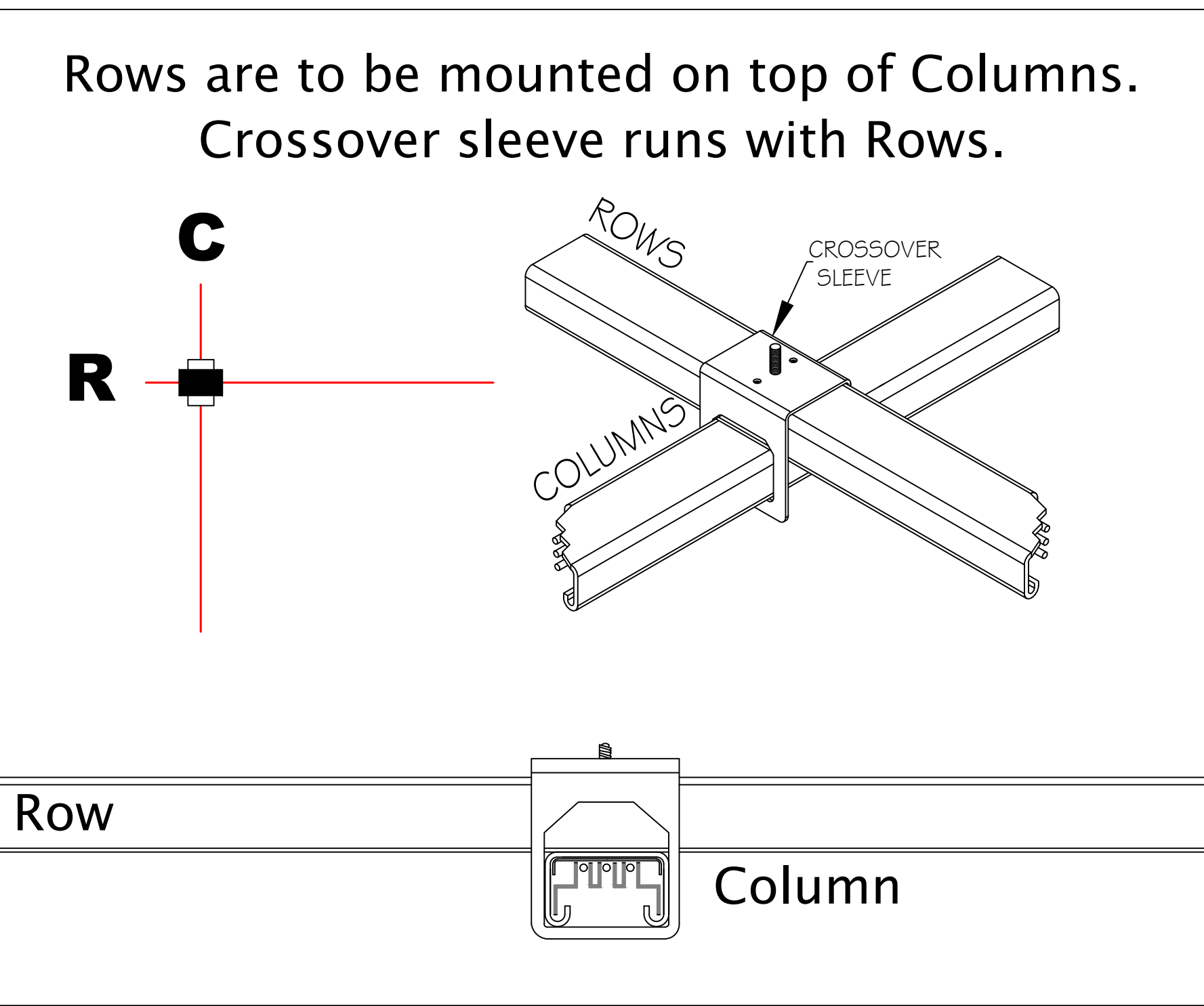
Flip-Fitters without metal bracket are for use with standard track light fixtures only. Consult for maximum weight restrictions.

Only busSTRUT fittings and hardware may be mounted directly to busSTRUT.

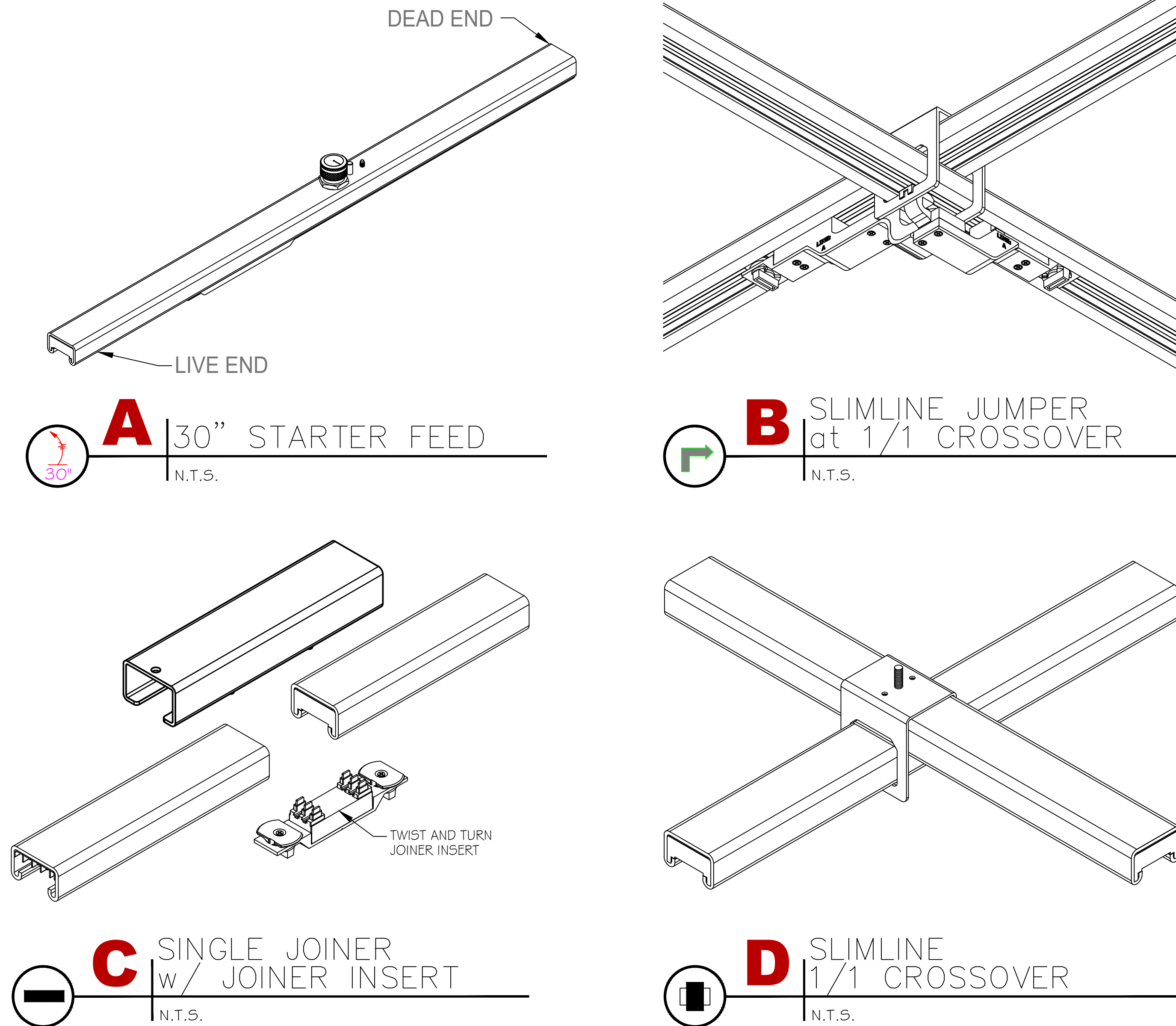
**CONNECTION TO STRUCTURE BY OTHERS**  
Attachment from busSTRUT System to structure must be engineered and installed to properly support the entire suspended weight.



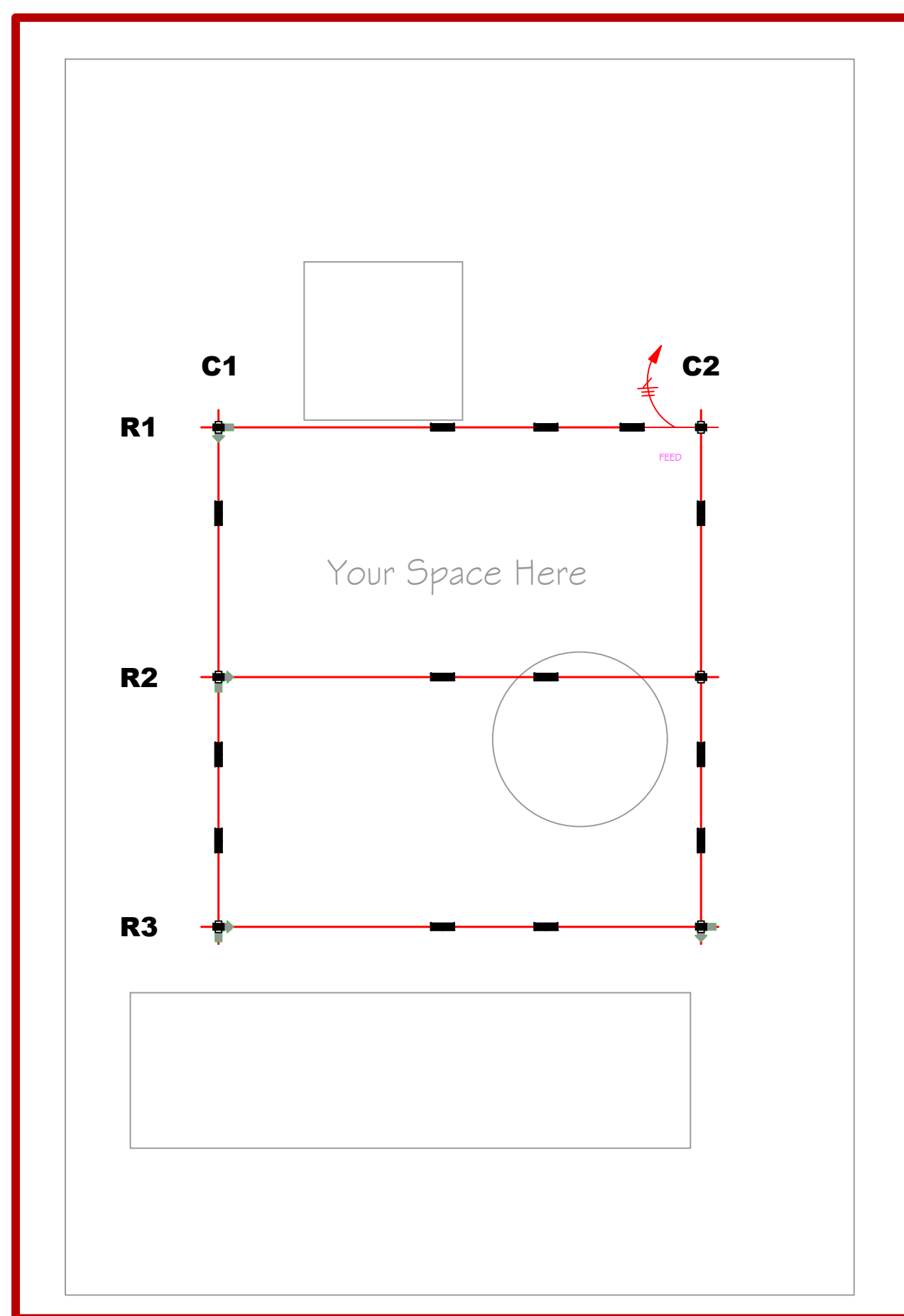
## Project Specific Rules



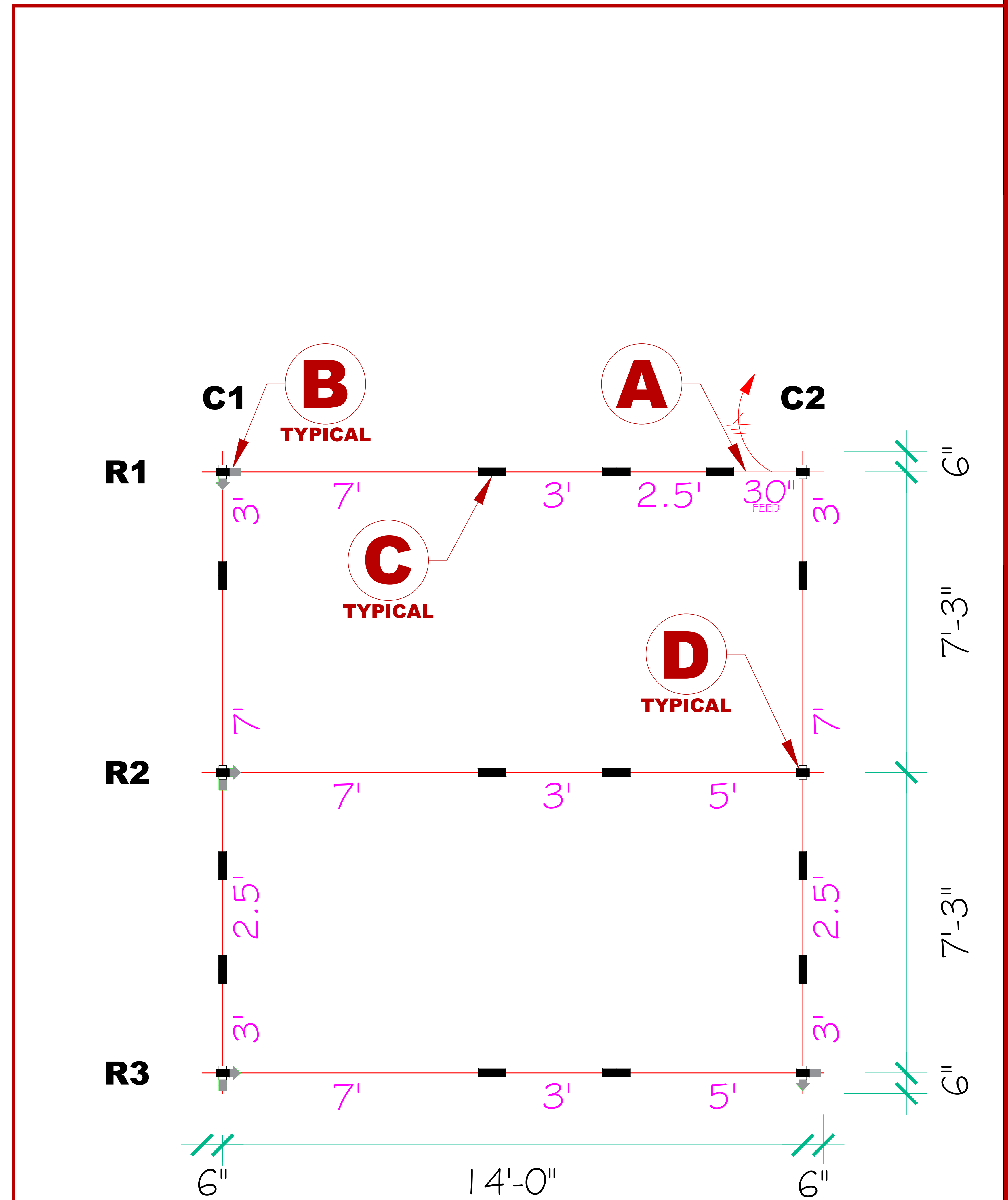
## ISO Details



- busSTRUT Lengths Used in this Project**
- 2.5'
  - 3'
  - 5'
  - 7'



## Dimensions



## Legend

	busSTRUT 20 / Single Deck
	Joiner
	1/1 Slimline Crossover
	Slimline Jumper

**bs**  
busSTRUT  
805 Hillside Road  
Suite C  
Westerville, OH  
43081  
TEL: 614-933-8695  
E-MAIL: INFO@BUSSTRUT.COM  
WWW.BUSSTRUT.COM

DESIGNED BY: LARRY GELLERT  
CHECKED BY: JOHN LOCH  
DRAWN BY: JOHN LOCH  
DATE: 11/01/2024  
REVISION: BID/REVIEW

# Assembly Plan

Rectangle Medium

BUSSTRUT DRAWING SET (ONLY)  
STOP! BEFORE PROCEEDING WITH THIS DRAWING SET FOR ARCHITECTURAL, ENGINEERING OR ELECTRICAL DRAWINGS

NO.	DATE	REVISION DESCRIPTION	BY

PAPER SIZE: ARCH E (48x36)  
SCALE 3/4" = 1'-0"  
DRAWING NUMBER: E-b2