

busSTRUT Shop Drawing Set

Express Rectangle (Large) - Power Drops

busSTRUT SHOP DRAWING SET (ONLY)

NOT A REPLACEMENT FOR ARCHITECTURAL/ENGINEERING/ ELECTRICAL SPECIFICATIONS. (DEFER TO THEIR DRAWINGS)

CONTRACTOR RESPONSIBILITIES

CONTRACTOR IS RESPONSIBLE FOR:

- 1.- FOLLOWING busSTRUT CONFIGURATION MOUNTING POINT RULES.
- 2.- REFERRING TO ARCHITECTURAL PLANS FOR PLACEMENT OF LIGHTS.
- 3.- REFERRING TO ELECTRICAL PLANS FOR POWER DISTRIBUTION AND ELECTRICAL CONNECTION REQUIREMENTS.

CONNECTION TO STRUCTURE

ATTACHMENT FROM busSTRUT SYSTEM TO STRUCTURE MUST BE ENGINEERED AND INSTALLED TO PROPERLY SUPPORT THE ENTIRE SUSPENDED WEIGHT.

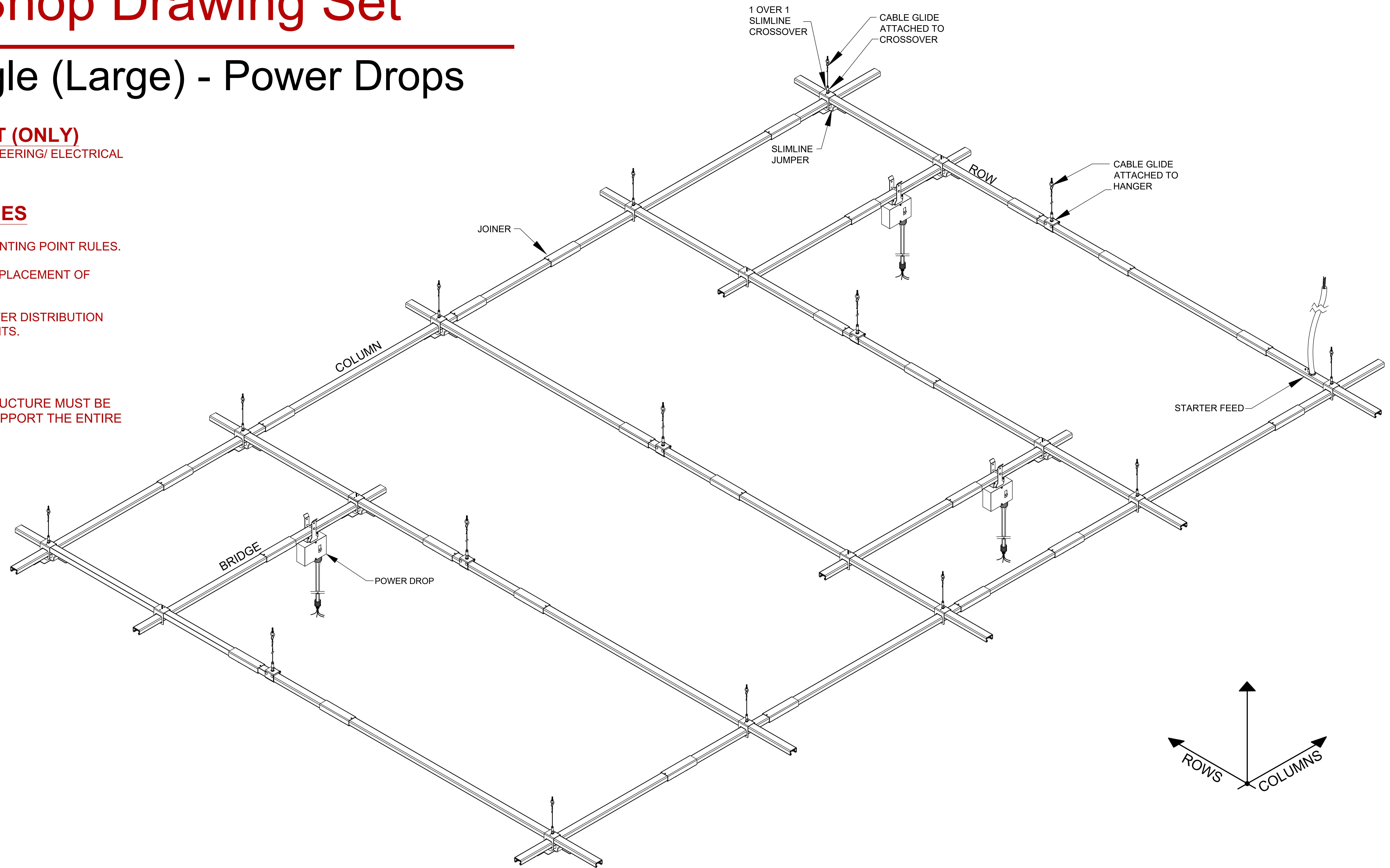
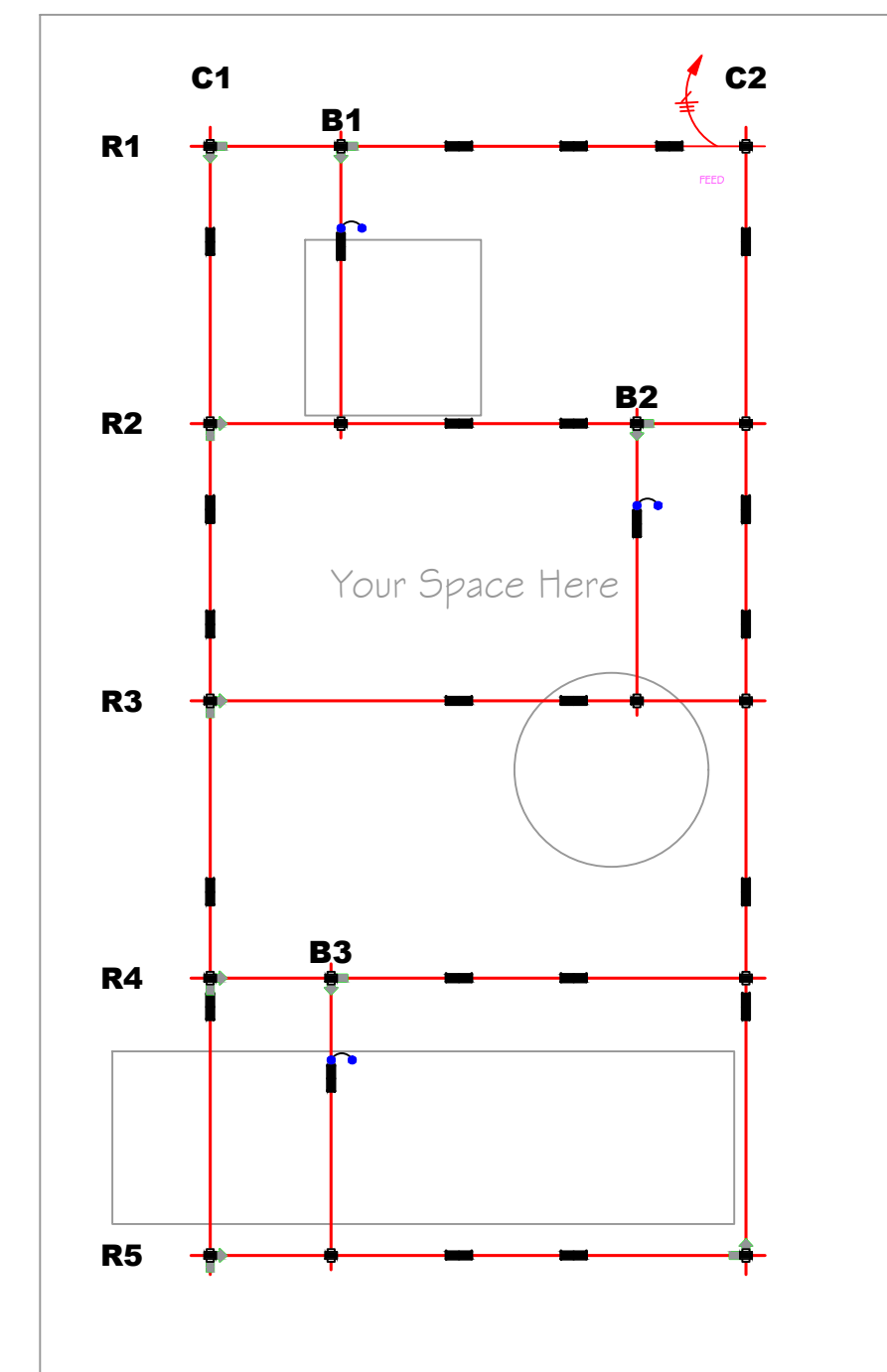


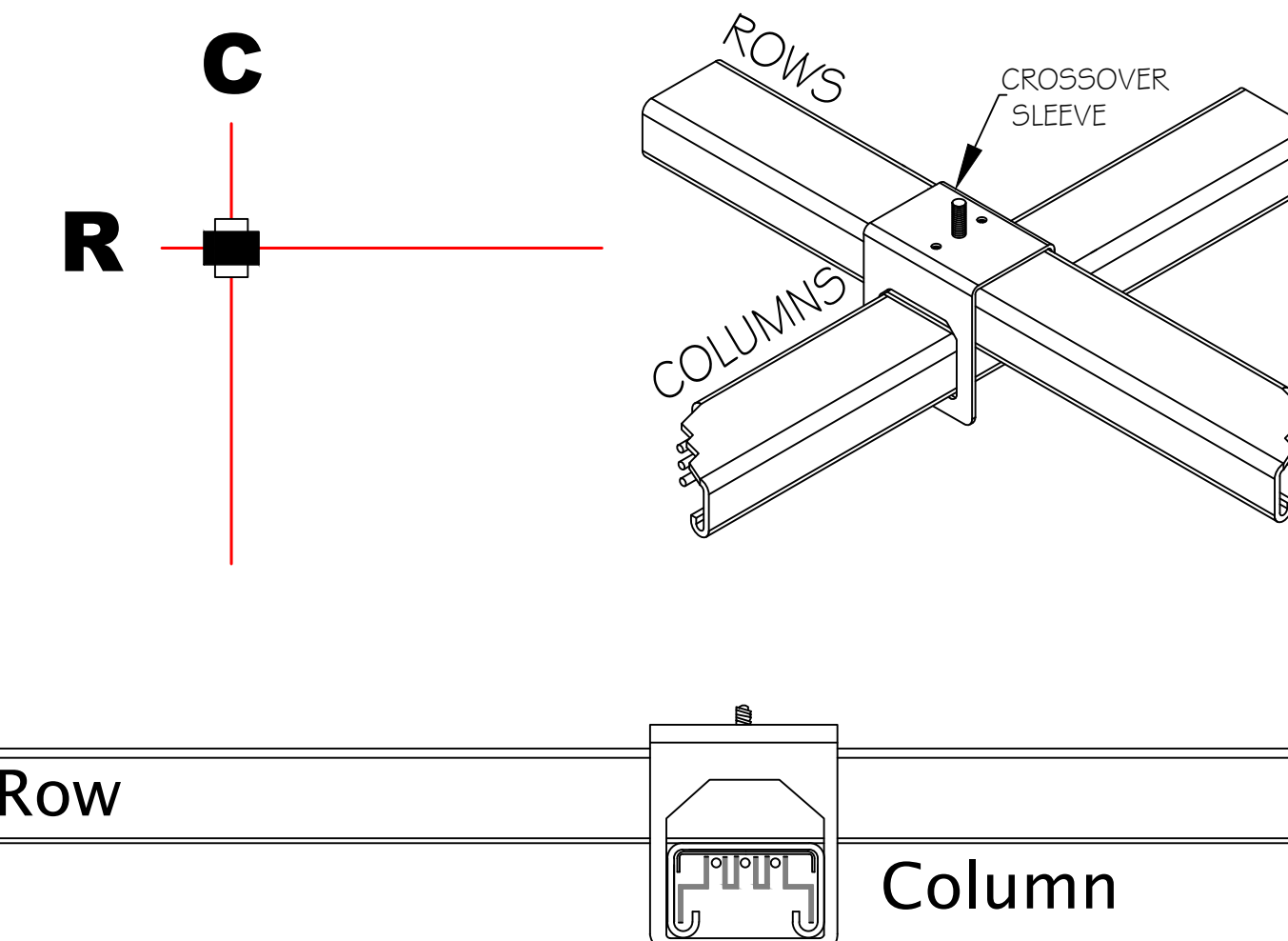
TABLE OF CONTENTS

E-b01 E-b02	Typical Installation Instructions
E-b1 E-b2	Lighting Plan, BOM, & Labor Hours Assembly Plan



KEY MOUNTING RULES

Rows are to be mounted on top of Columns.
Crossover sleeve runs with Rows.



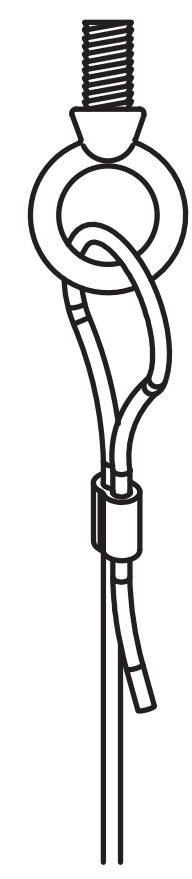
Legend

- busSTRUT 20 / Single Deck
- 30" Starter Feed
- Joiner
- 1/1 Slimline Crossover
- Slimline Jumper

APPROVAL

STEP 1

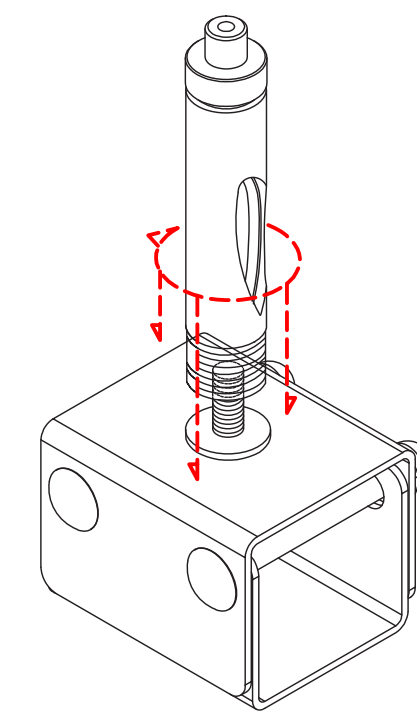
SUSPENDING busSTRUT



1 SUSPEND CABLES (CG-XX)

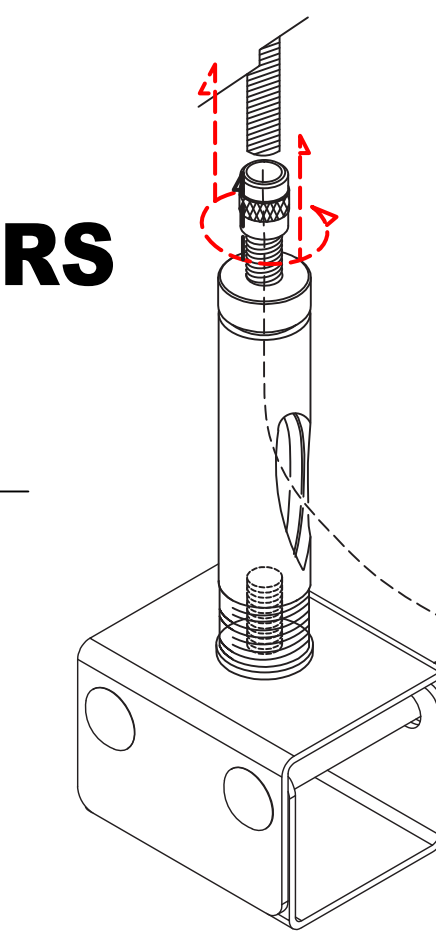
ATTACH CABLE ASSEMBLY TO STRUCTURE

*It is the contractor and/or engineer's responsibility to determine correct connection to structure (beam clamp, etc).



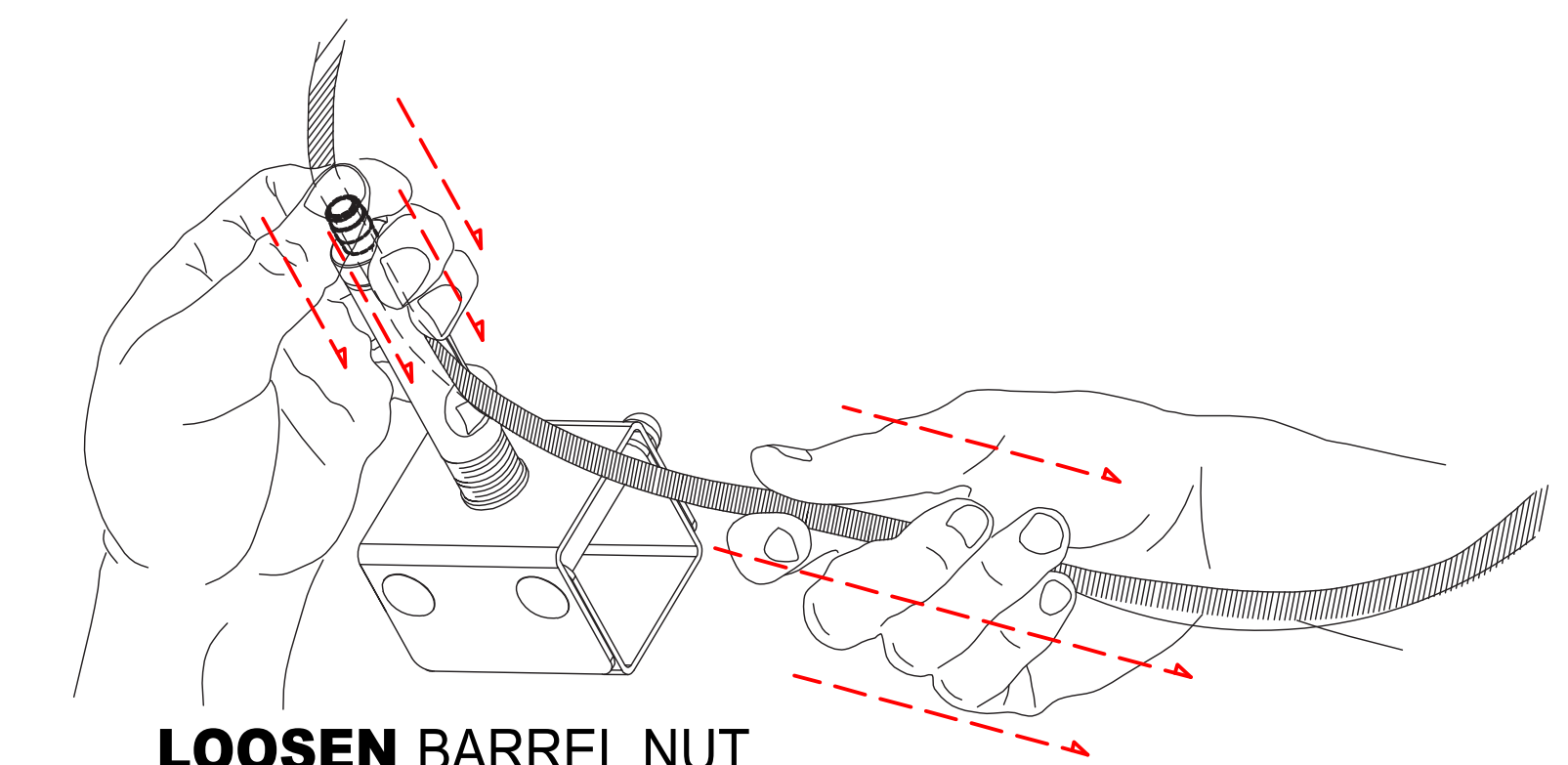
2 ASSEMBLE HANGERS (HM-S)

ASSEMBLE HANGERS AND ATTACH CABLE GLIDE



3 ATTACH HANGERS TO CABLES (CG-XX)

FEED CABLES THROUGH GLIDE TO ATTACH



LOOSEN BARREL NUT
PUSH CABLE THROUGH
PULL CABLE FOR SLACK

SLIDE busSTRUT THROUGH SUSPENDED HANGERS

Assemble

Create cable suspended runs of busSTRUT. Usually, these are running perpendicular to structural joists. Insert busSTRUT lengths through hangers/crossovers working from FINISHED HEIGHT.

FINISHED HEIGHT

*It is the contractor and/or engineer's responsibility to determine correct connection to structure (beam clamp, etc).

LEVEL busSTRUT AND TRIM CABLE

FINISHED HEIGHT

CUT CABLE
Leave enough pass through cable for future leveling

BE SURE TO FOLLOW busSTRUT MOUNTING RULES (SEE busSTRUT shop drawings)

STEP 2

INSERT JOINERS

ATTACH JOINERS TO EACH END OF CONNECTING busSTRUT

JOINERS (M-JB)

Joiners are used to mechanically and electrically connect individual busSTRUT lengths.

TIGHTEN JOINERS

TIGHTEN SET SCREWS ON THE BOTTOM OF THE JOINER

Joiners require 3/32 Hex key for tightening set screws

ATTACH INSERT

ATTACH JOINERS TO EACH END OF CONNECTING busSTRUT

Line up center of insert with etched centerline on joiner sleeve

JOINER INSERT (M-JI-X)

A single piece unit that is installed with two knobs, one must be fully turned in each abutting length. As a result, power can continue to flow from one length to the next.

Turn the first knob

Squeeze tightly on the opposite side, then turn the second knob to secure the electrical connection.

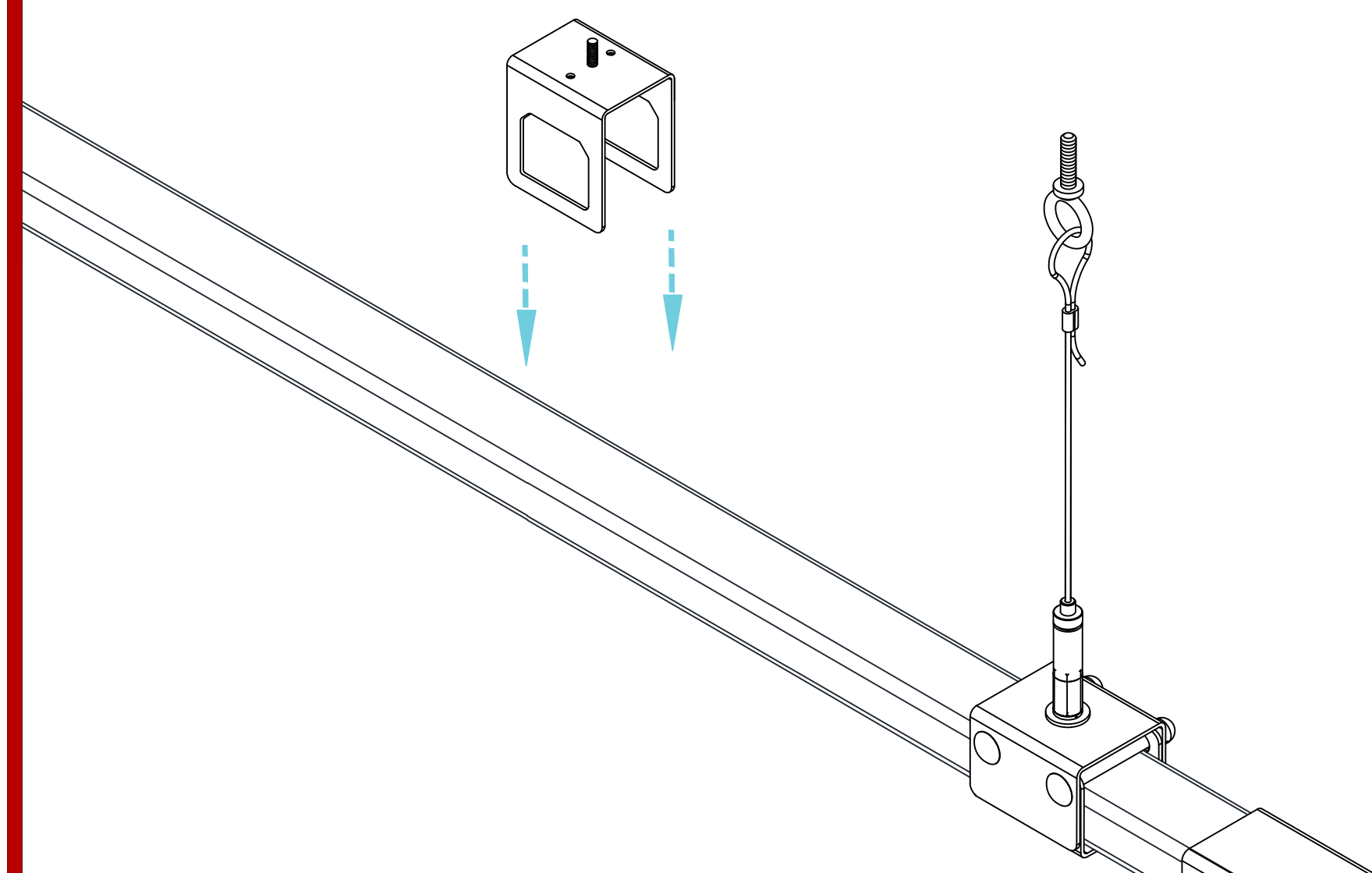
**Installation Instruction Guidelines are provided only as that, informative guidelines. Defer to architectural/engineering drawings tailored to the specific project.

NO.	DATE	REVISION DESCRIPTION

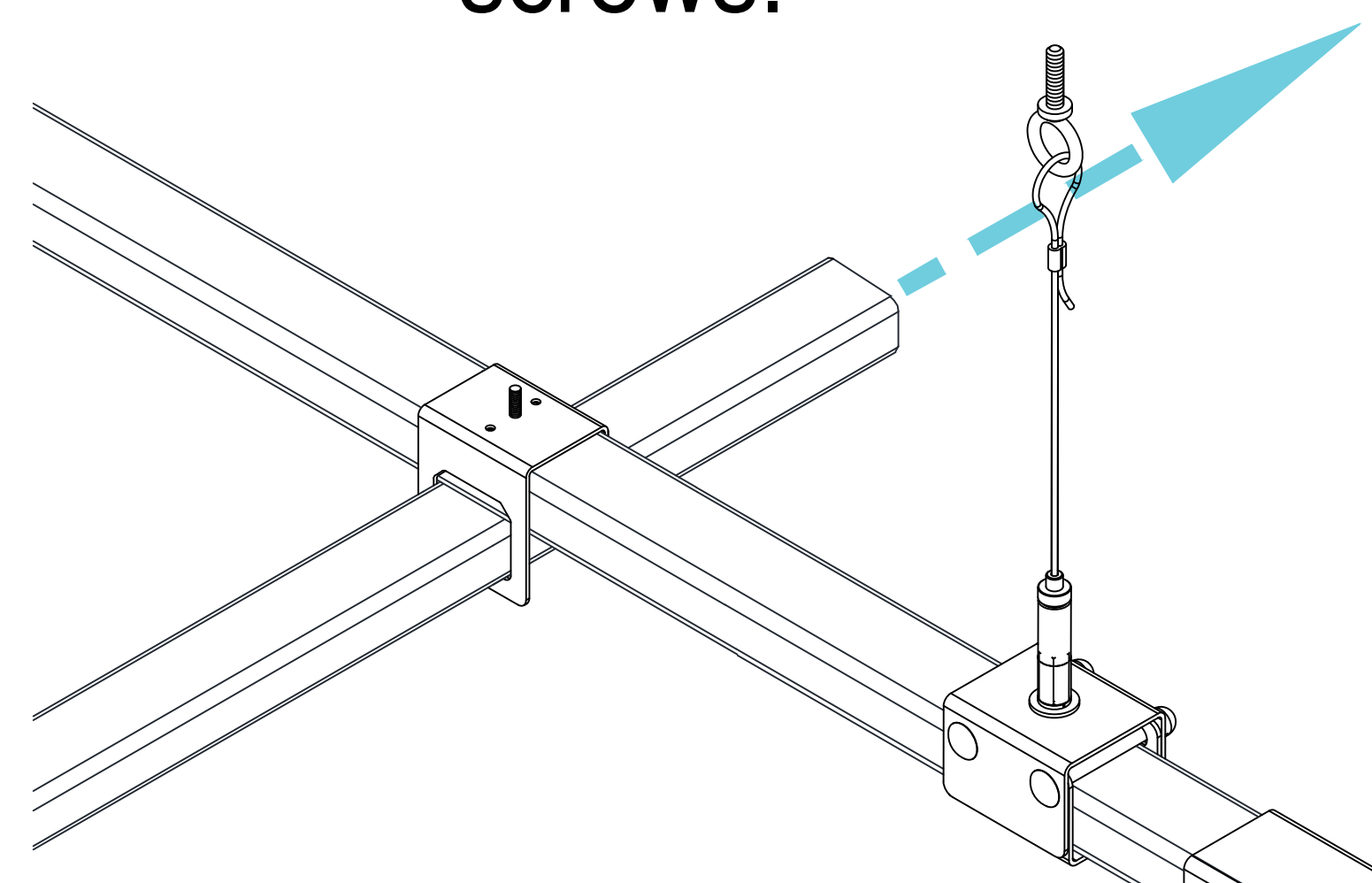
STEP 3

INSTALLING CROSSOVERS DROPPING ON

Crossovers can be dropped onto suspended busSTRUT to create an intersection with a perpendicular run of busSTRUT.

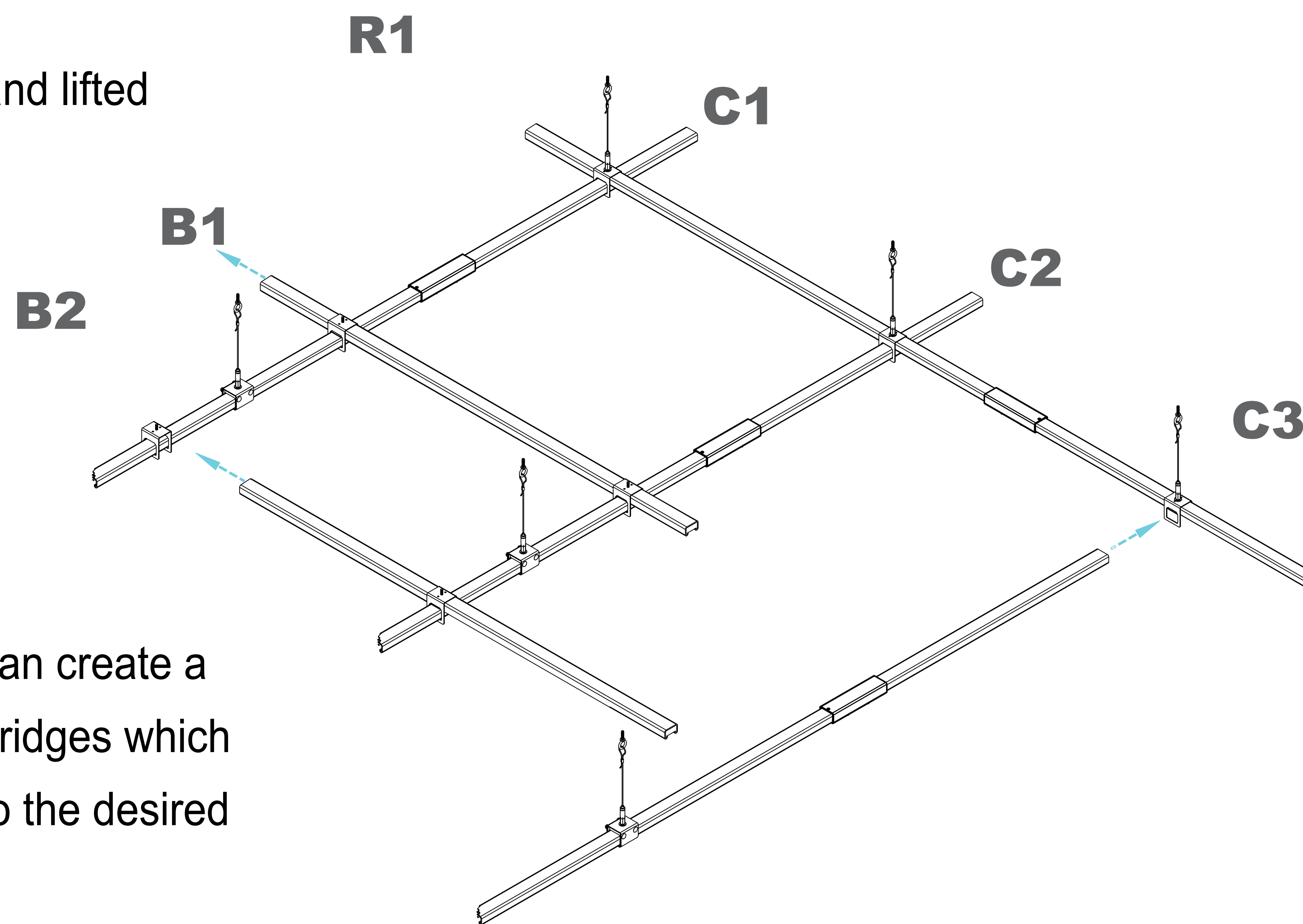


Slide perpendicular runs of busSTRUT through the crossover and tighten the set screws.



SLIDING ON

Crossovers can be slid into position and lifted to create perpendicular bridges.

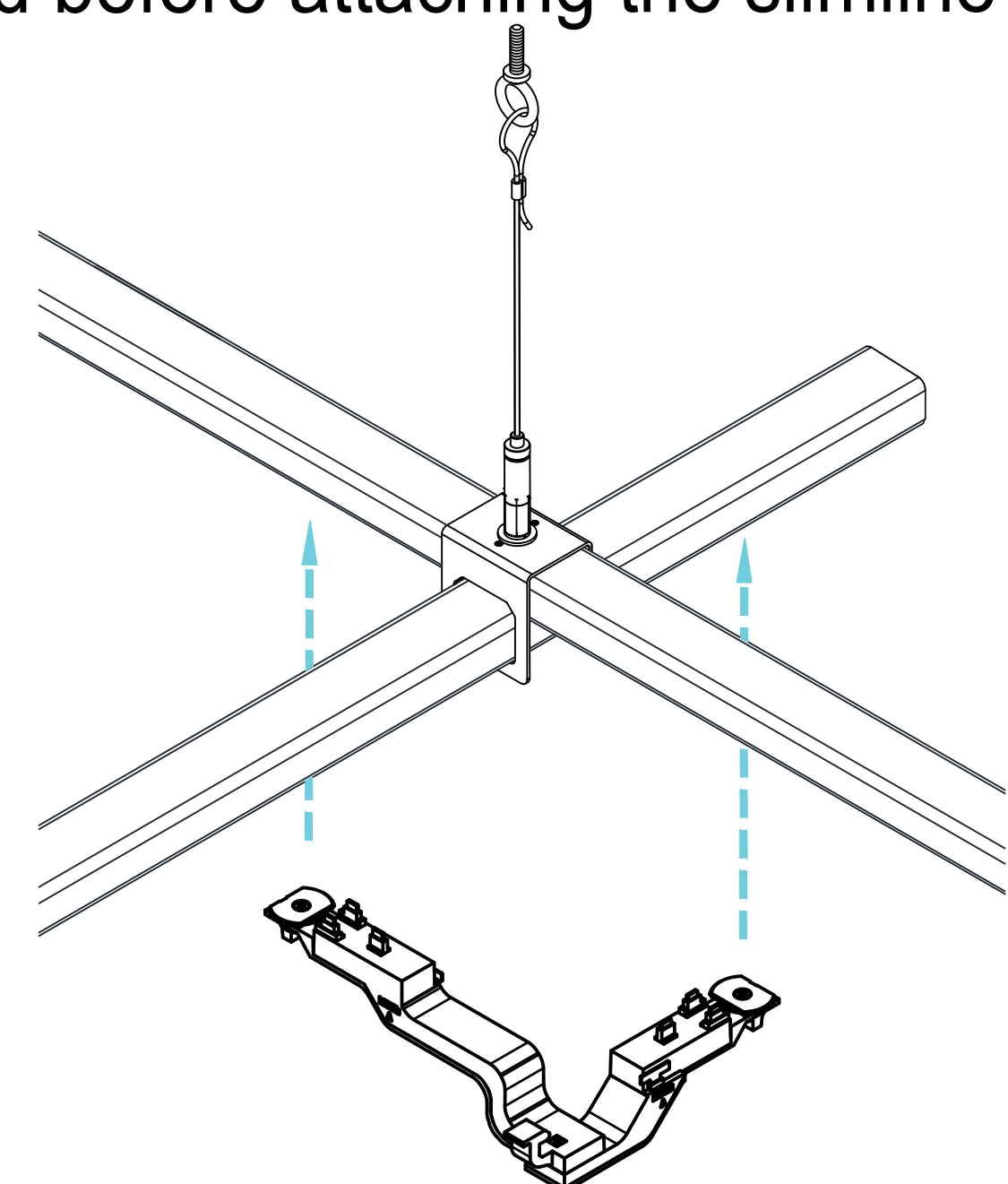


Perpendicular runs can create a full grid or be short bridges which are easily moved into the desired position.

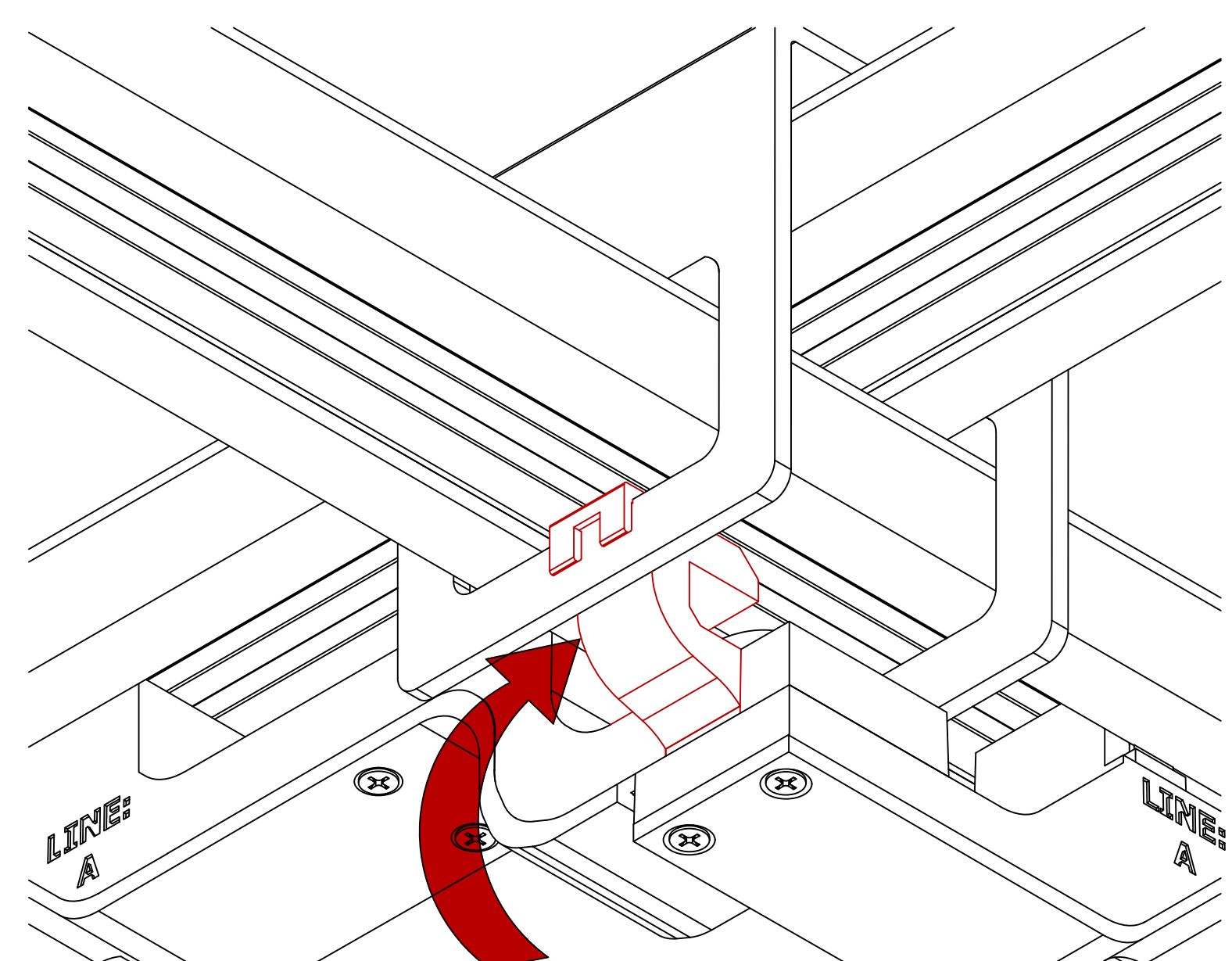
STEP 4A

SLIMLINE JUMPER

Make sure that the slimline crossover is tightened before attaching the slimline jumper.

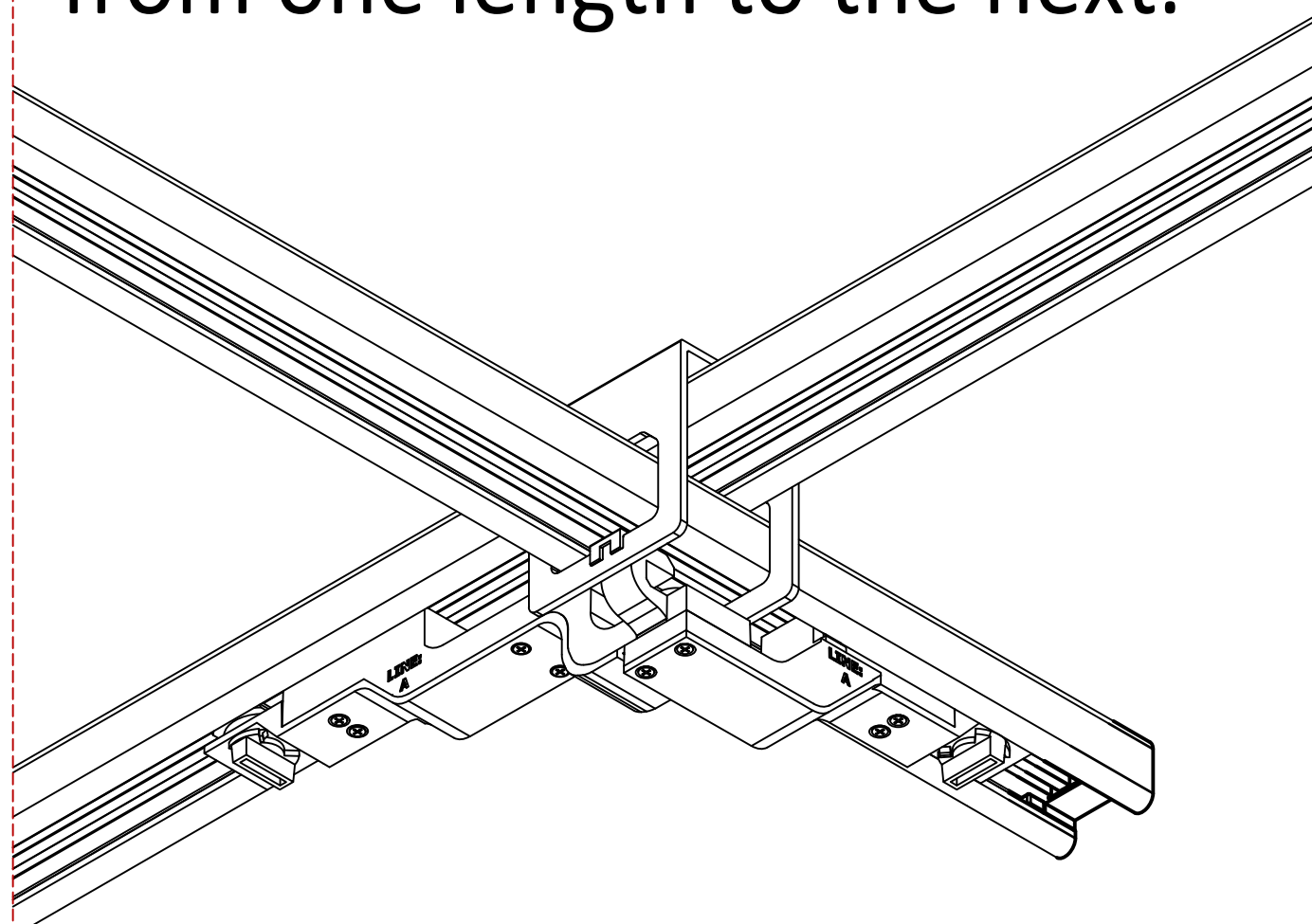


First, clip the jumper to the crossover.

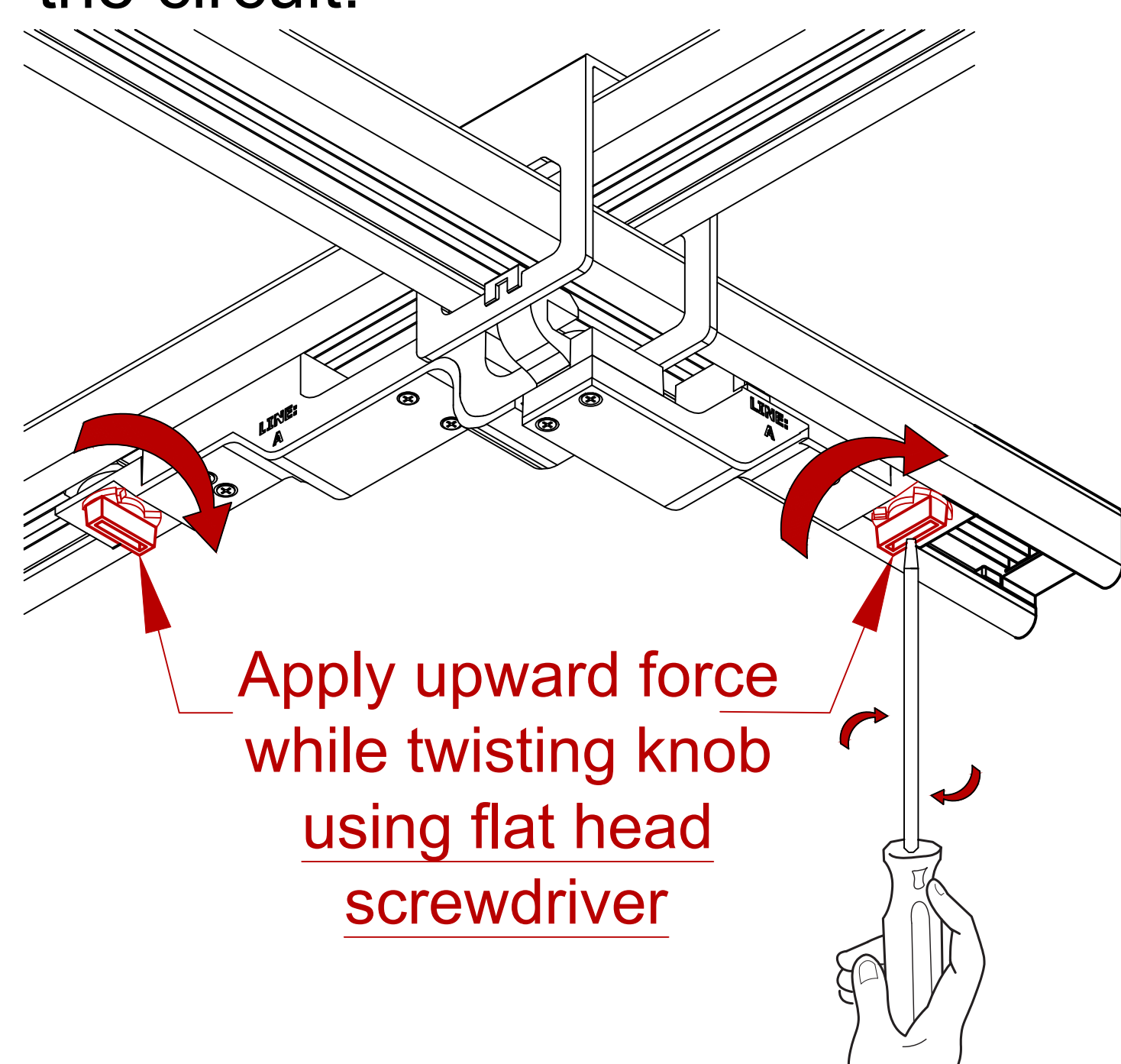


SLIMLINE JUMPER (MD2020-UNIV-IJ2-B-X)

A single piece unit that is installed with two knobs, one must be fully turned in each abutting length. As a result, power can continue to flow from one length to the next.



Seat the jumper into the busSTRUT by squeezing tightly on one side and turning the knob. Then, turn the other knob to complete the circuit.

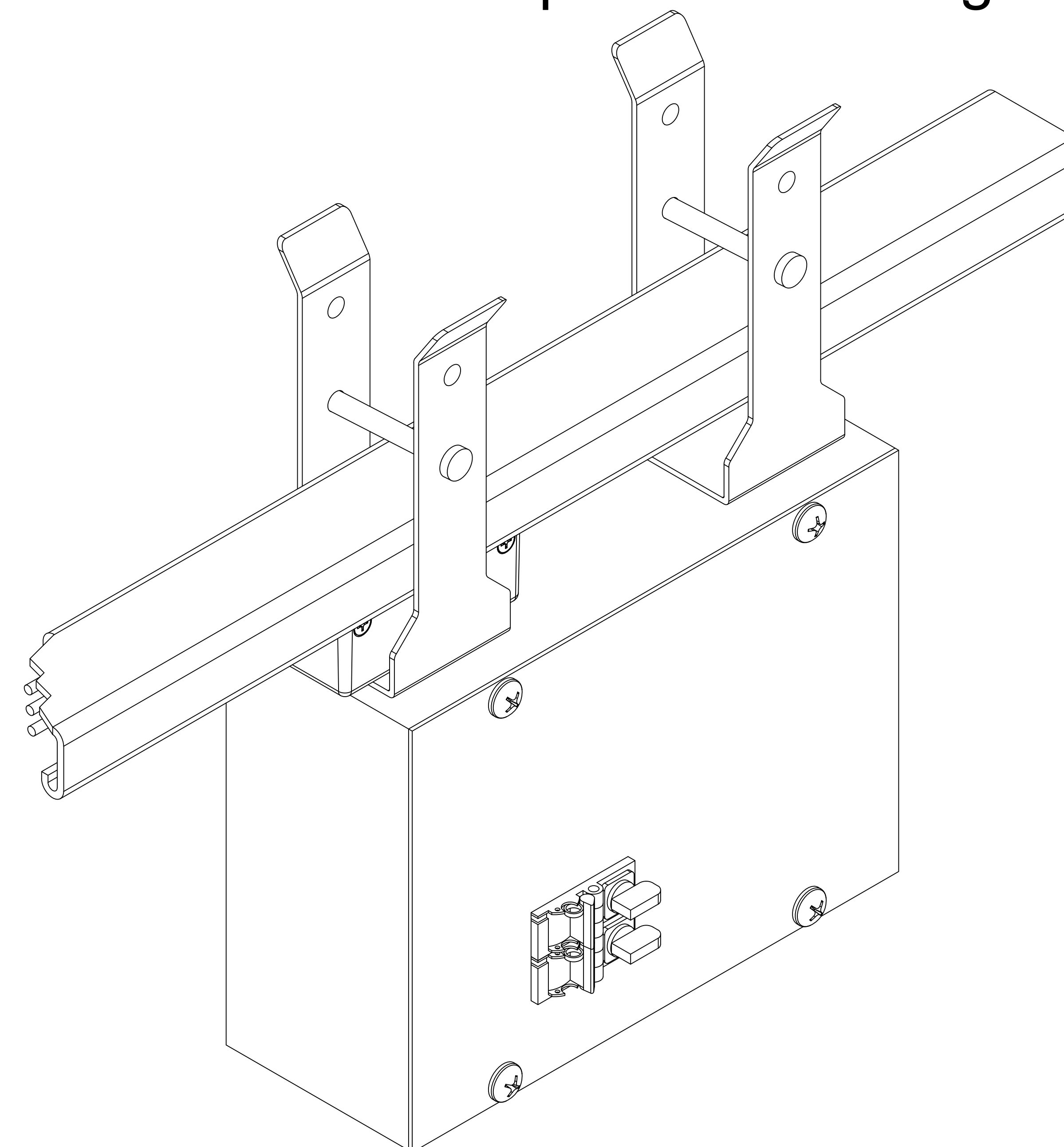


Apply upward force while twisting knob using flat head screwdriver

STEP 4B

LINE FEEDS

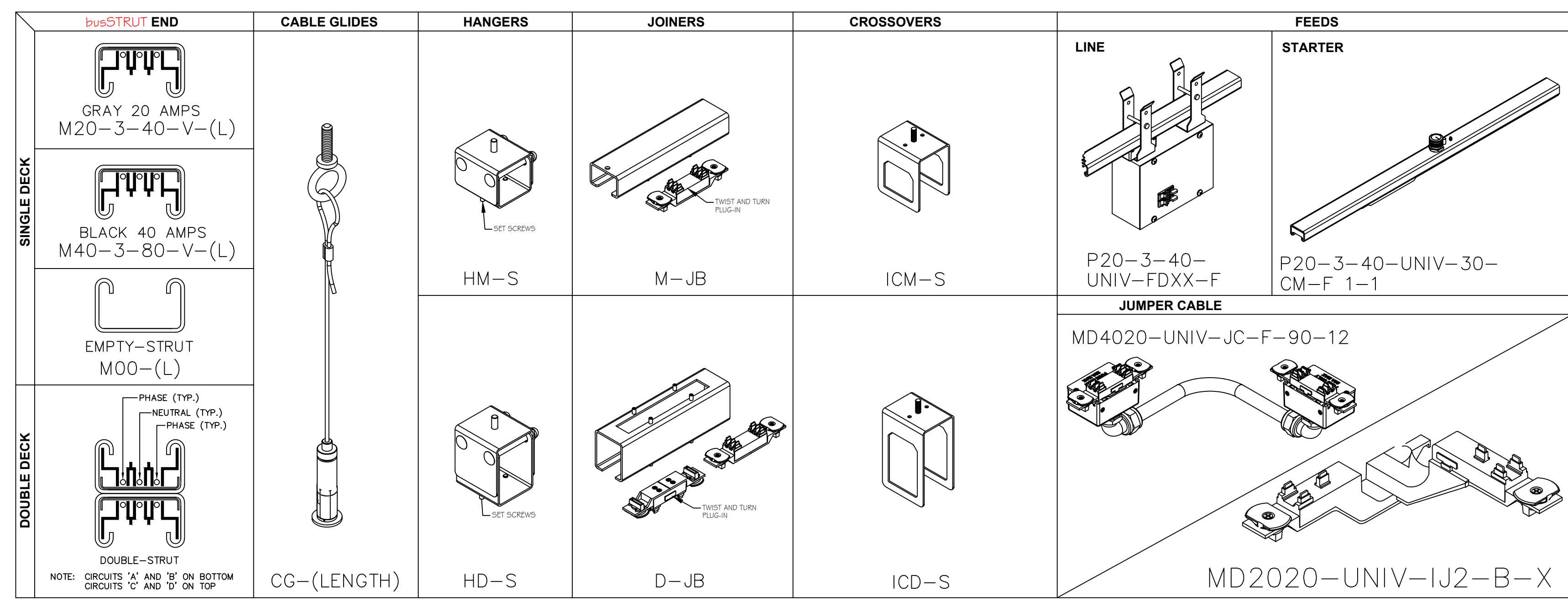
Install line feeds on busSTRUT to power the configuration.



20A LINE FEED

Shown on single decked busSTRUT

busSTRUT Parts



busSTRUT 12 gauge 1" x 1" x 1.58" STEEL. **busSTRUT** features two Hot wire symmetrically surrounding a center Neutral. The result, two 20 Amp circuits 40 Amp Maximum with **busSTRUT** (20) alternatively two 40 Amp circuits 80 Amp Maximum with **busSTRUT** (40). 2, 5, 10, and 20' lengths. Rated for up to 277/480V. Double decks with standard hardware for trunking.

BRAIDED CABLE with GLIDE: For use with **busSTRUT**. Hangers/Crossovers. Includes cable-glide and cable with factory assembled cable looped threaded 1/4-20" eye bolt.

HANGERS: Single and Double Hangers are for use with **busSTRUT**. Each is an assembled two-part unit. The upper piece includes a threaded stud for use with **busSTRUT** cable-glide.

JOINERS: Single and Double are for use with **busSTRUT**. Lengths are joined together mechanically with the 8" steel sleeve. Electrical Joiner-Kits include both a Twist & Turn Plug to electrical insert to bridge power. And continuous grounding weath through the bus itself by means of a permanently affixed copper grounding bar.

CROSSOVERS: For use with interlocking **busSTRUT**. Each is an assembled two-part unit for building grid configurations and bridges. The upper piece includes a threaded stud for use with **busSTRUT** cable-glide.

JUMPERS: For use with both **busSTRUT** (20) and **busSTRUT** (40). The fused 40/20 Jumper Cables can be used to electrically connect **busSTRUT** (40) Trunks to **busSTRUT** (20) Branches and/or electrically connecting **busSTRUT** (20) to **busSTRUT** (20).

LINE FEEDS: For use with powering single-decked **busSTRUT**. Junction Box features energy code type "Tenters" (breakers/fuse holders) and 3 Pole Fuses. Available up to 277/480V. Can be positioned anywhere along **busSTRUT** to reduce the lengths of trunks.

STARTER FEEDS: For use with powering single-decked **busSTRUT**. Utilized when no current limiting is required on the **busSTRUT**. Must be positioned at the beginning of a run.

Bill of Materials

ROWS Large PD		busSTRUT Bill of Materials																Drawn By	John Loch		
		Finish TBD: Galvanized, White, or Black																Checked By	John Loch		
																		Date	10/4/2024		
		busSTRUT LENGTHS				busSTRUT Hardware						busSTRUT POWER									
		busSTRUT 20				Joiners		Hangers		C-GI	Xover	Jcord	Line				GEN	ACT			
		2.5	3	5	7	M	INS	NE-INS	M	DB	C-GI	1/1	12"	INVS	JK	30ST	PD	GEN	ACT		
R/C	Amps	LF	BF	2.5	3	5	7	M	INS	NE-INS	M	D	C-GI	1/1	12"	INVS	JK	30ST	PD	WW	LUCY
Rows																					
R1	20	15	15	1	1	1	1	3	3		1	3									
R2	20	15	15		1	1	1	2	2		1	3									
R3	20	15	15		1	1	1	2	2		1	3									
R4	20	15	15		1	1	1	2	2		1	3									
R5	20	15	15		1	1	1	2	2		1	3									
SUB TOTAL	75	75	75	1	5	4	5	11	11		5		15	10		4		1			
R/C	Amps	LF	BF	2.5	3	5	7	M	INS	NE-INS	M	D	C-GI	1/1	12"	INVS	JK	30ST	PD	WW	LUCY
Columns																					
C1	20	30	30		3	3	3	5	5												
C2	20	30	30		3	3	3	5	5												
SUB TOTAL	60	60	60	6	10	10	6	10	10					2							
R/C	Amps	LF	BF	2.5	3	5	7	M	INS	NE-INS	M	D	C-GI	1/1	12"	INVS	JK	30ST	PD	WW	LUCY
Bridges																					
B1	20	8	8		1	1		1	1												
B2	20	8	8		1	1		1	1												
B3	20	8	8		1	1		1	1												
SUB TOTAL	24	24	24	3	3	3	3	3	3					6					3		
STORE TOTAL	159.0	159.0	159.0	1	14	7	11	24	24		5		15	16		9		1	3		

Labor Hours

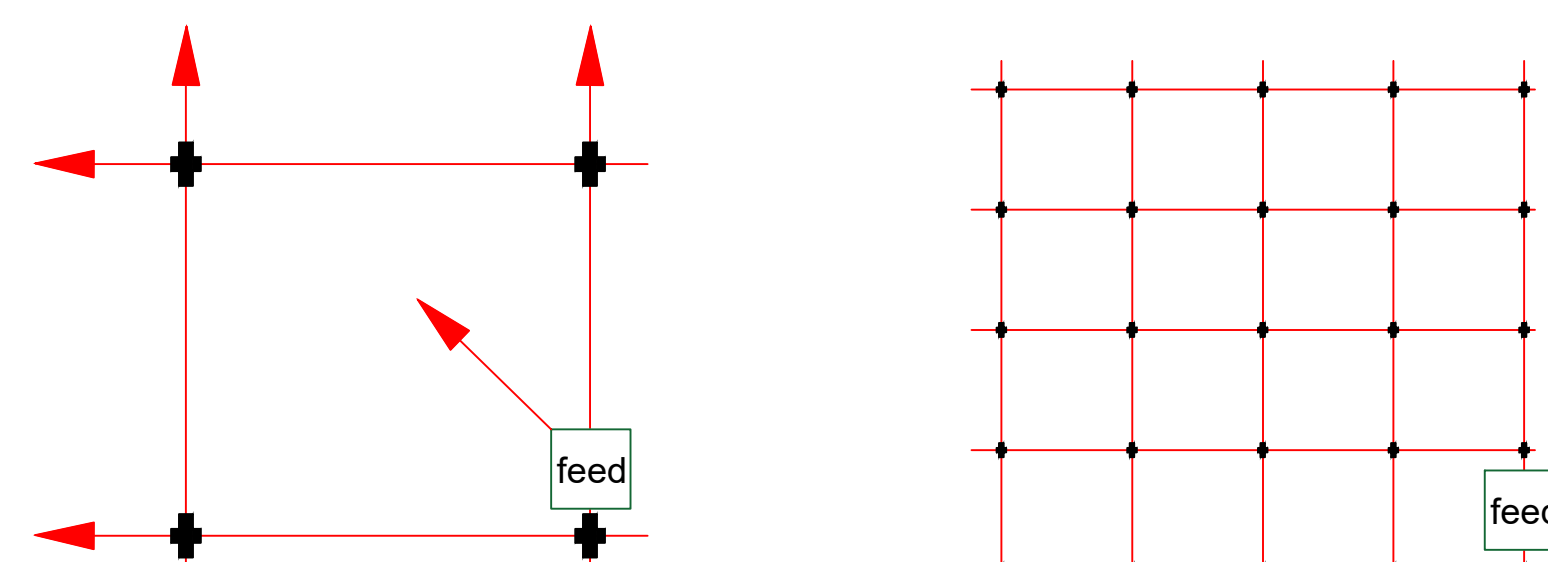
busSTRUT provides time-tested standard labor hours per part, which are then multiplied by the project's Bill of Materials.

busSTRUT LABOR					
ITEMS	Qty.	UM	STANDARDIZED LABOR HOURS		TOTAL HRS
			min	hrs 60	
LENGTHS	159	LF	2.75	0.05	7
JOINERS	24	EA	12	0.20	5
HANGERS	15	EA	25	0.42	6
CROSSOVERS	16	EA	10	0.17	3
ATTACHMENTS	3	EA	8	0.13	0
JUMPERS	9	EA	6	0.10	1
FEEDS	1	EA	15	0.25	0
busSTRUT SUB-TOTAL = 23					
ACCENT	EA	x	8	0.13	0
LINEARS	EA	x	20	0.33	0
busSTRUT READY LIGHTS SUB-TOTAL = 0					
TOTAL TIME = 23					

busSTRUT system is designed to be BID separately.

Bid from the feeds-in.

* Powered by a minimal amount of feed boxes.

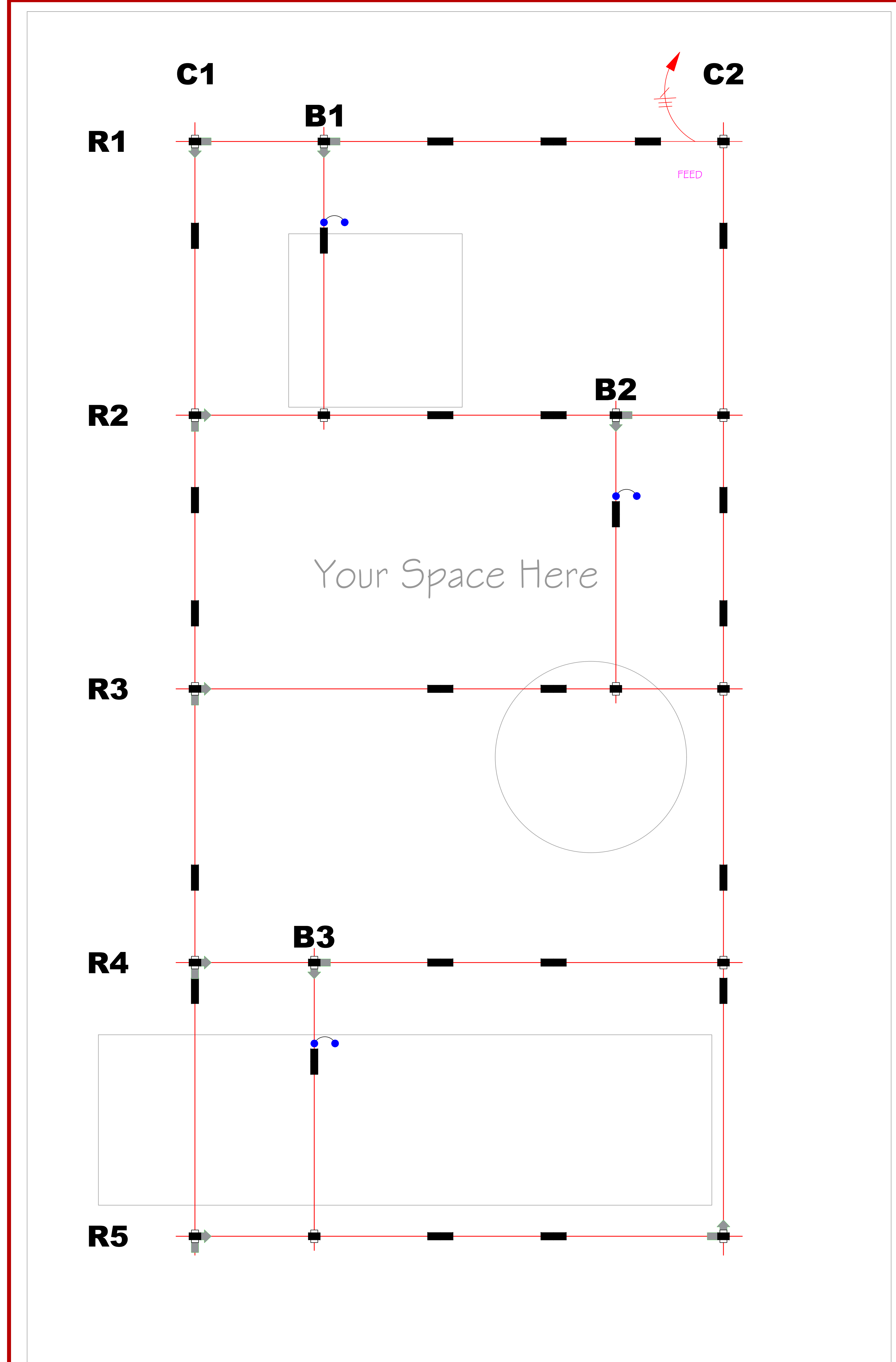


Legend

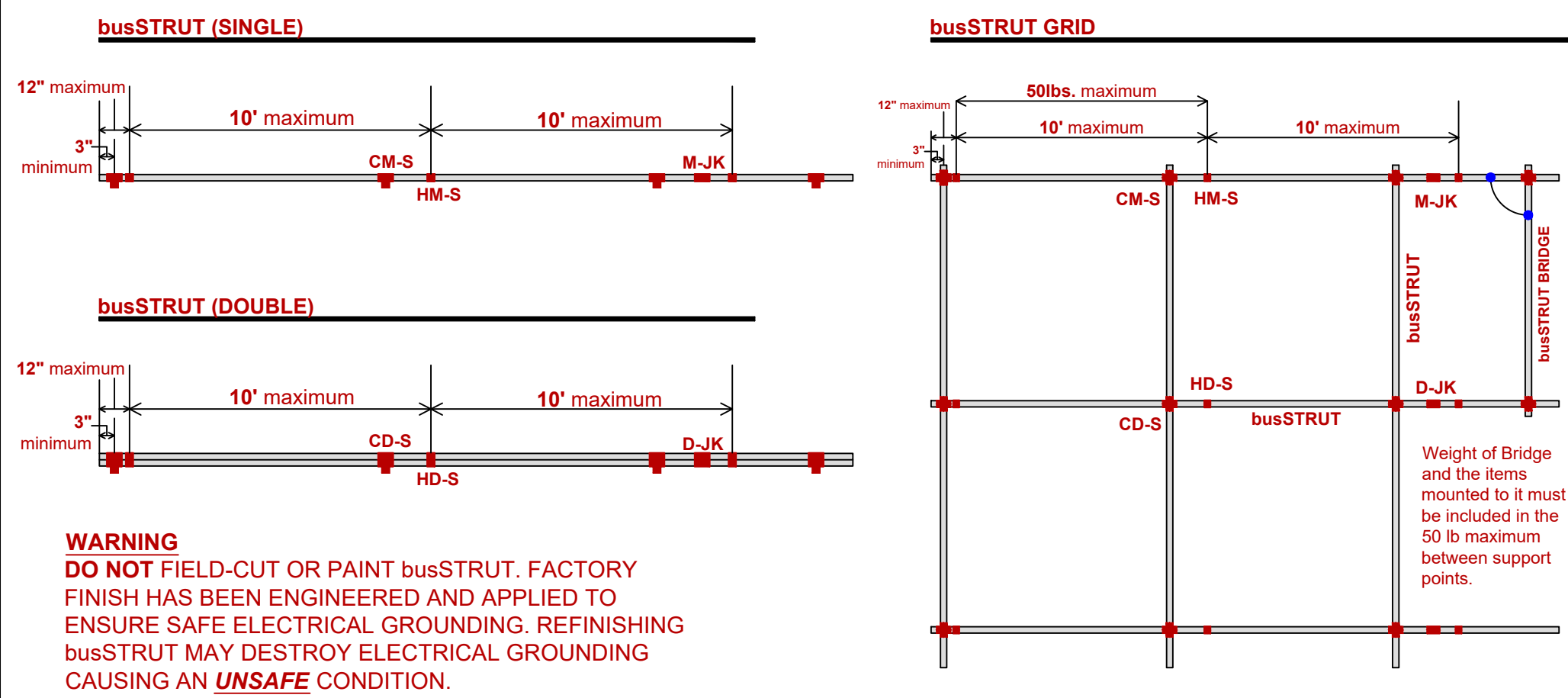
- busSTRUT 20 / Single Deck
- 30" Starter Feed
- Joiner
- 1/1 Slimline Crossover
- Slimline Jumper

Lighting Plan

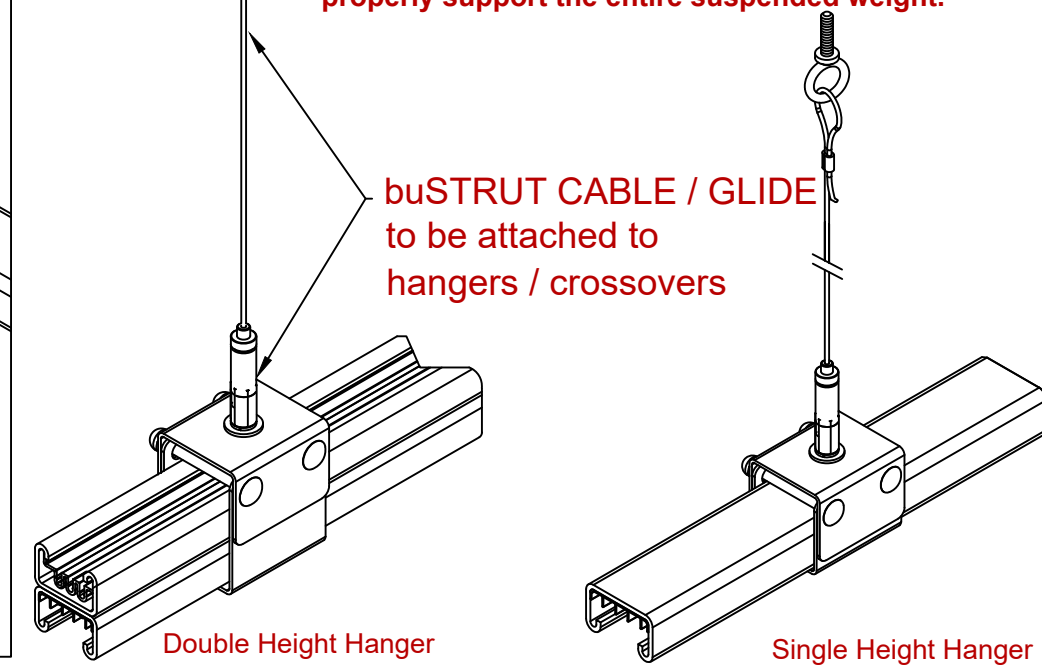
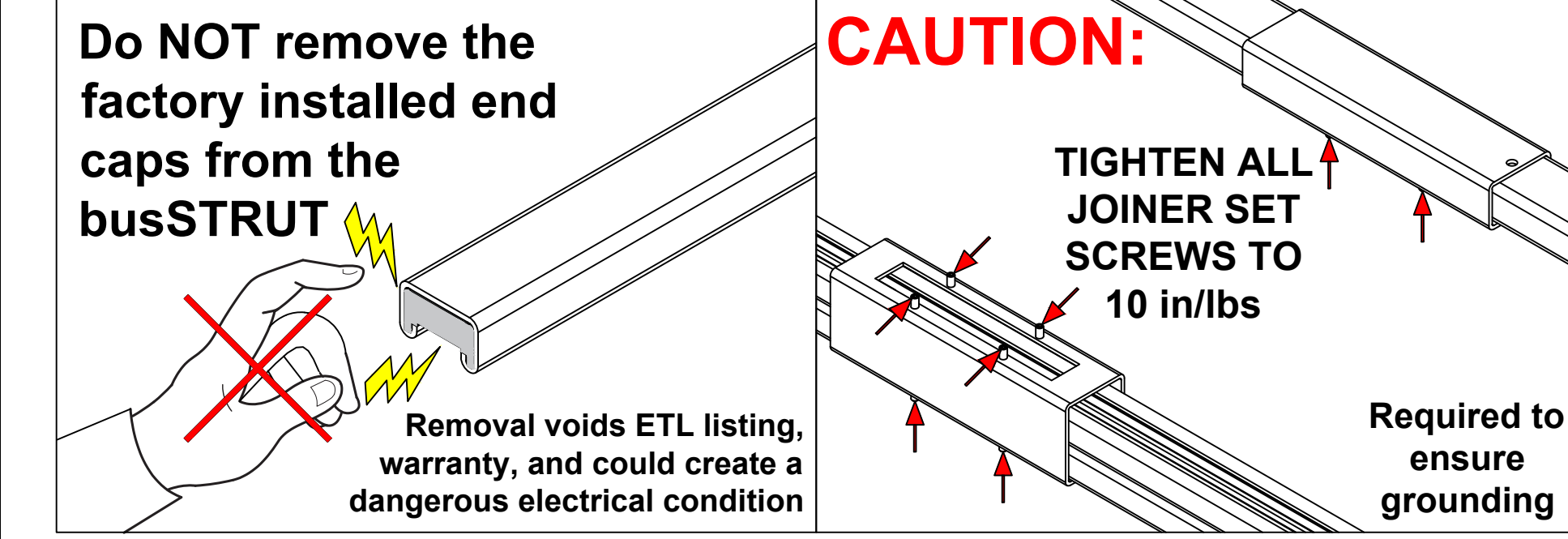
busSTRUT LIGHTING PLAN ONLY
THIS DRAWING IS MEANT TO SHOW THE LOCATION OF busSTRUT LIGHTS ONLY. IT IS NOT A REPLACEMENT FOR: ARCHITECTURAL / ENGINEERING / ELECTRICAL SPECIFICATIONS. (SEE THEIR DRAWINGS)



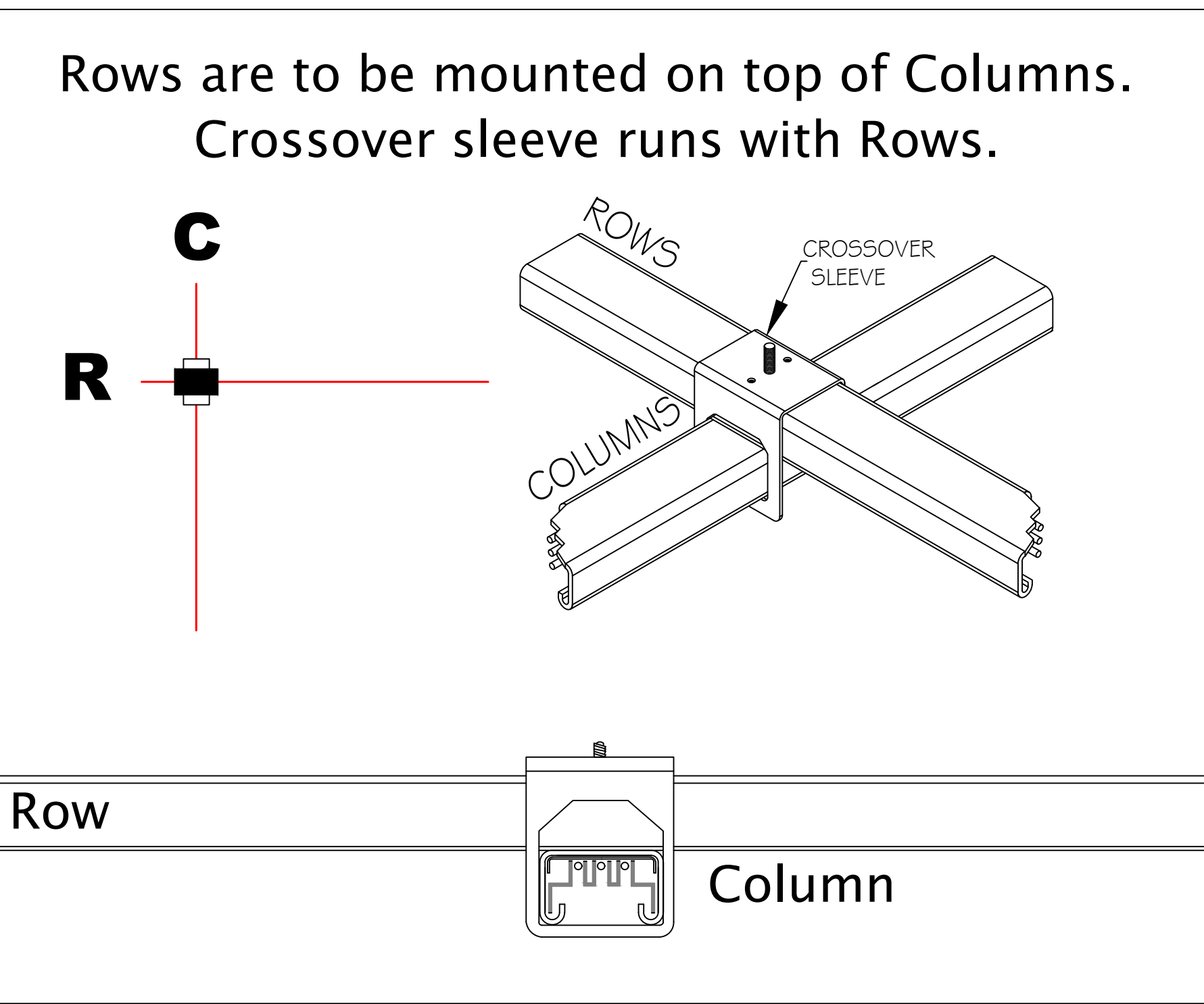
Mounting Rules



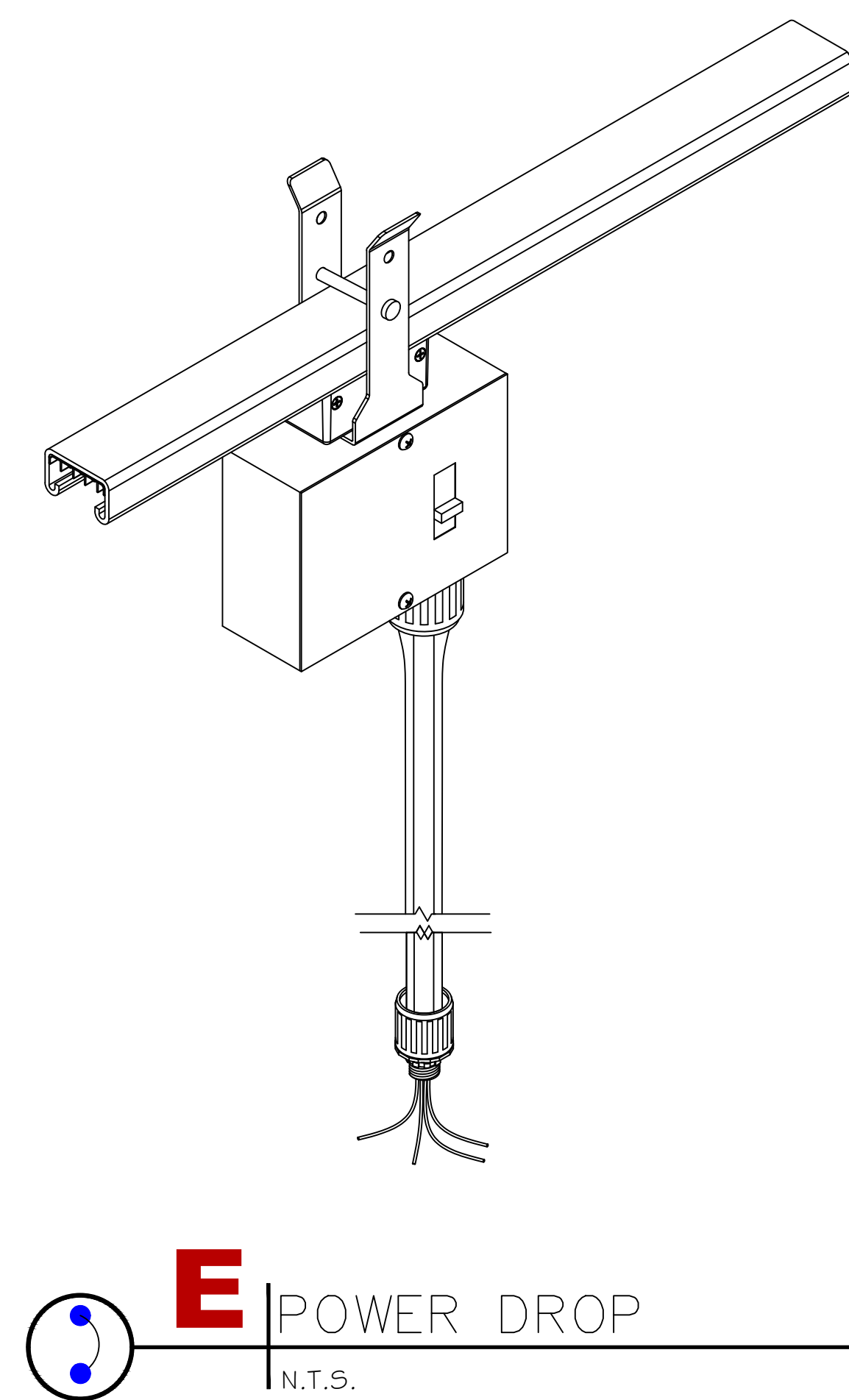
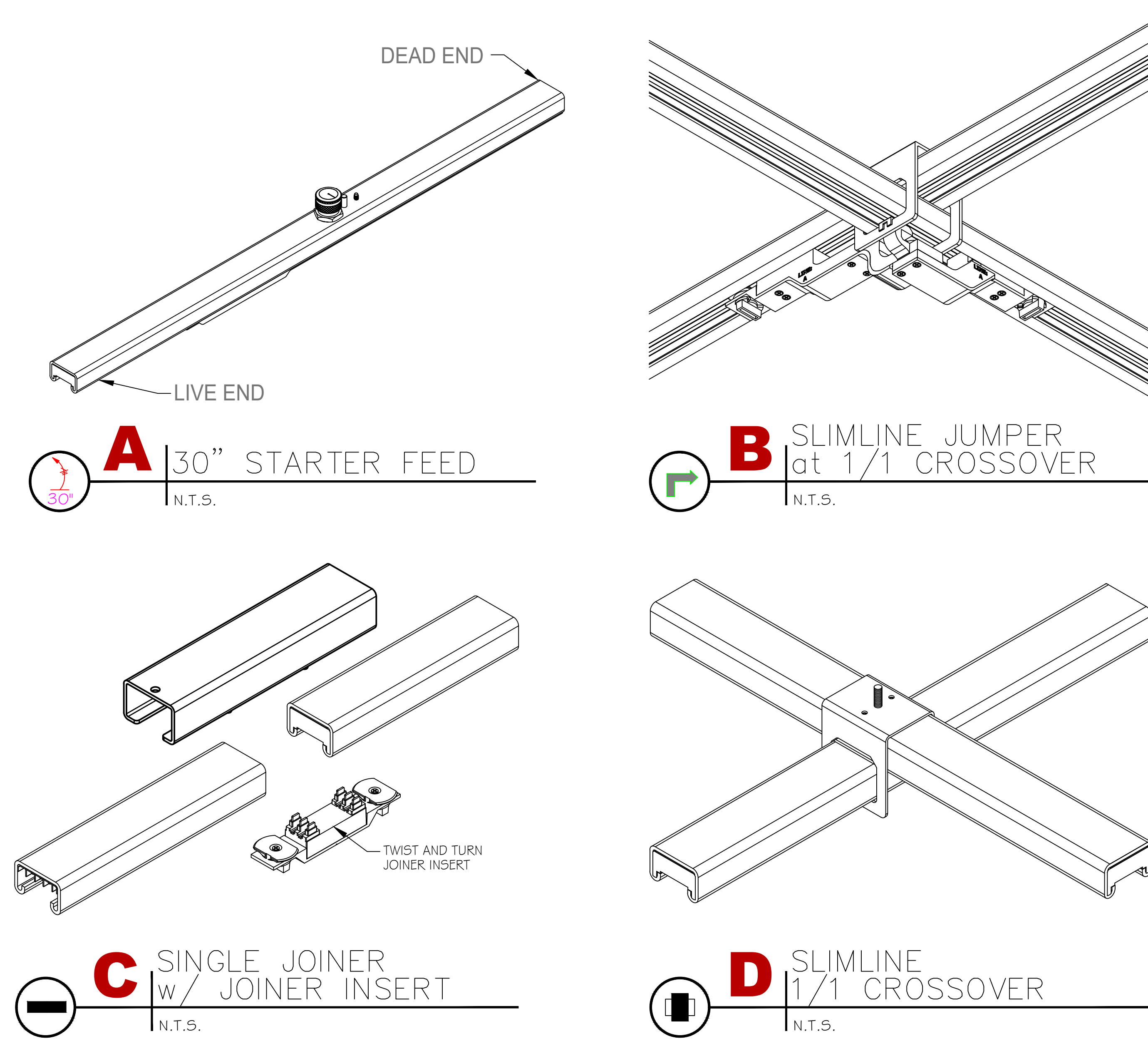
- DISTANCE:**
 10' MAXIMUM 10' spacing between support points
- 12" Support point must be within 12" from every end or corner
- 3" MINIMUM 3" of busSTRUT to be exposed beyond end of mounting hangers and/or crossovers
- WEIGHT:**
 50 lbs Maximum 50 pounds between support points (Include weight of busSTRUT System)
 Weight of 1 foot of busSTRUT:
 Single (MIN) - 1.5 lb per Linear Foot (not including connected weight)
 Double (MAX) - 3 lb per Linear Foot (not including connected weight)
- FITTERS**
 40 lbs The busSTRUT Flip-Fitters (with metal bracket) are rated for 40 lbs maximum static, vertical load.
 Flip-Fitters without metal bracket are for use with standard track light fixtures only. Consult for maximum weight restrictions.
- Only busSTRUT fittings and hardware may be mounted directly to busSTRUT



Project Specific Rules

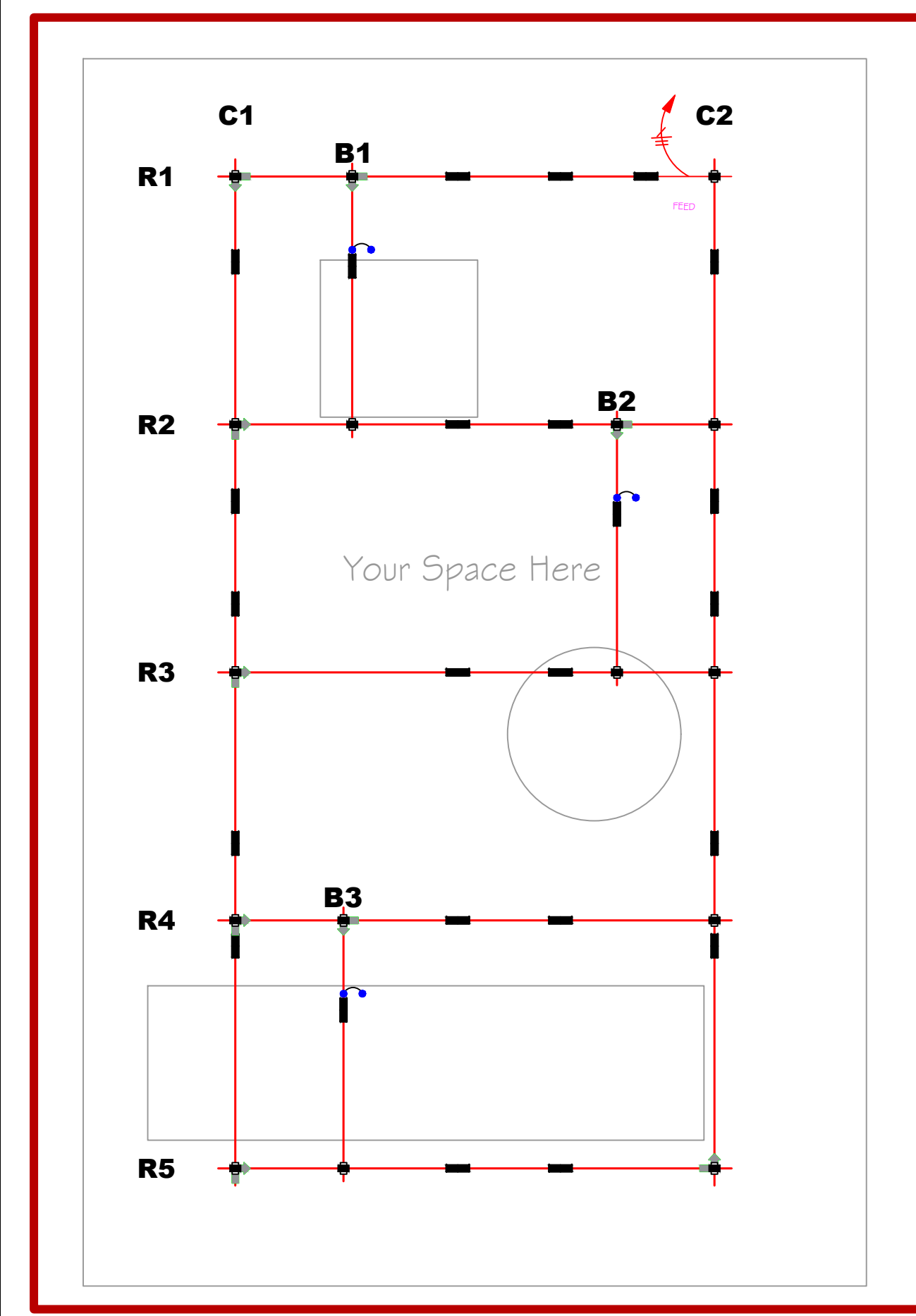


ISO Details

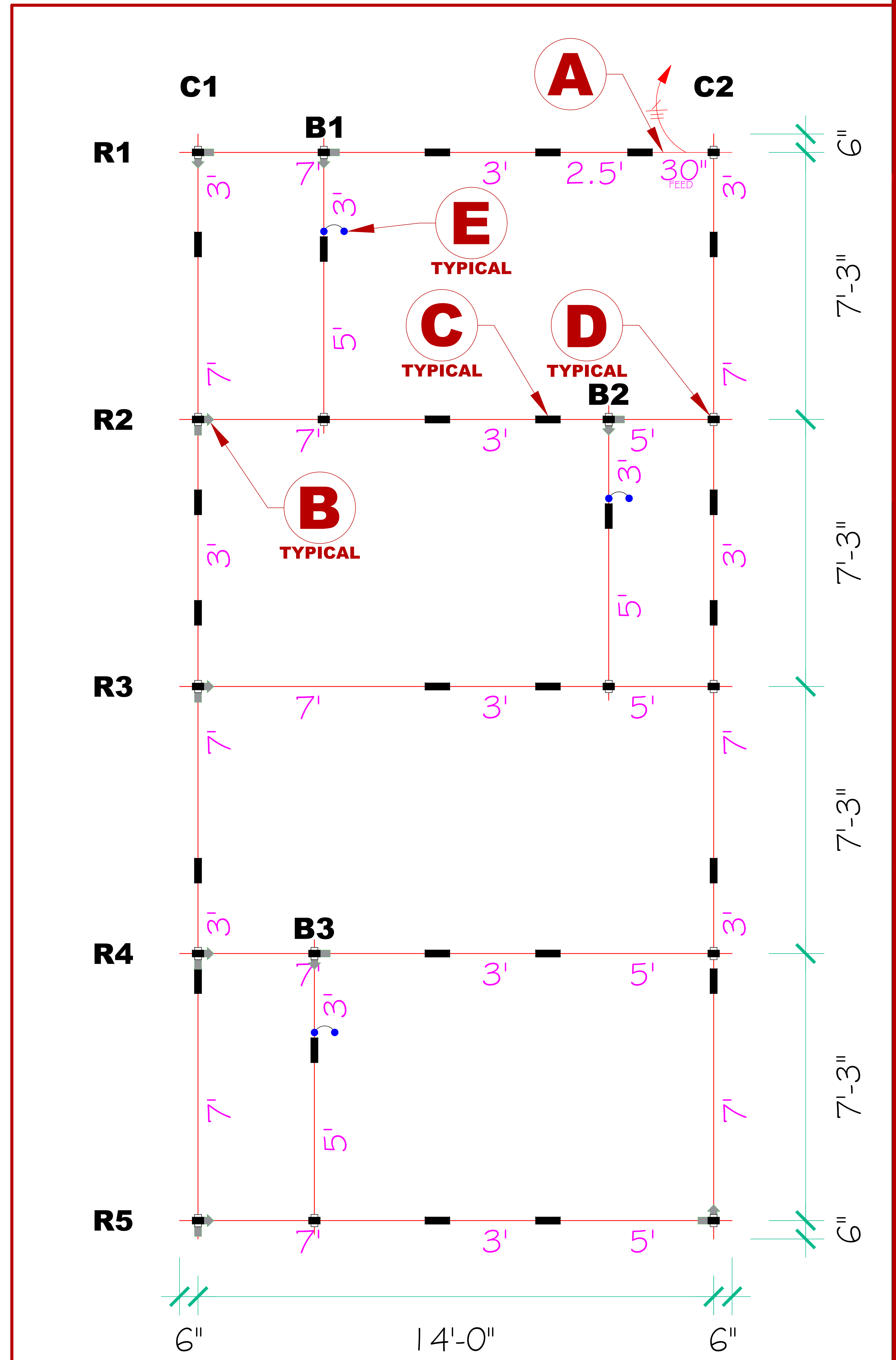


busSTRUT Lengths Used in this Project

- 2.5'
- 3'
- 5'
- 7'



Dimensions



Legend

- busSTRUT 20 / Single Deck
- 30" Starter Feed
- Joiner
- 1/1 Slimline Crossover
- Slimline Jumper

bs

busSTRUT
 805 Hillside Road
 Suite C
 Westerville, OH
 43081
 TEL: 614-933-8695
 E-MAIL: INFO@BUSSTRUT.COM
 WWW.BUSSTRUT.COM

PREPARED BY: LARRY GELLERT
 CHECKED BY: JOHN LOCH
 DRAWN BY: JOHN LOCH
 DATE: 11/01/2024
 PROJECT: BID/REVIEW

Assembly Plan
 Rectangle Large - Power Drops

busSTRUT DRAWING SET (ONLY) STOP HERE! NO FURTHER PROCEEDING FOR ARCHITECTURAL, ENGINEERING OR ELECTRICAL DRAWINGS

NO.	DATE	REVISION DESCRIPTION	BY

PAPER SIZE: ARCH E (48x36)
 SCALE 3/4" = 1'-0"
 DRAWING NUMBER: E-b2