

# busSTRUT Shop Drawing Set

## Express Rectangle (Large)

### busSTRUT SHOP DRAWING SET (ONLY)

NOT A REPLACEMENT FOR ARCHITECTURAL/ENGINEERING/ ELECTRICAL SPECIFICATIONS. (DEFER TO THEIR DRAWINGS)

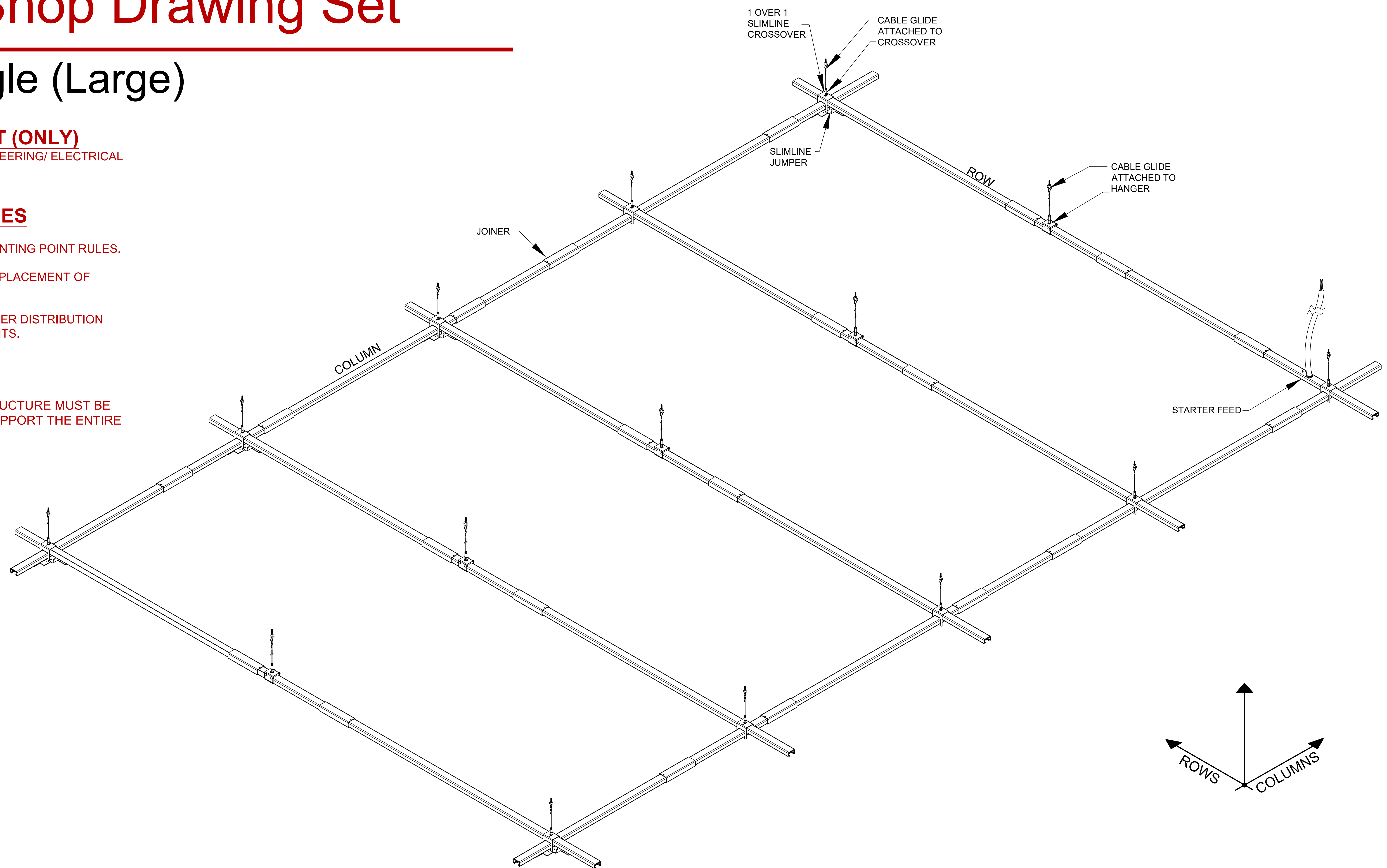
### CONTRACTOR RESPONSIBILITIES

CONTRACTOR IS RESPONSIBLE FOR:

- 1.- FOLLOWING busSTRUT CONFIGURATION MOUNTING POINT RULES.
- 2.- REFERRING TO ARCHITECTURAL PLANS FOR PLACEMENT OF LIGHTS.
- 3.- REFERRING TO ELECTRICAL PLANS FOR POWER DISTRIBUTION AND ELECTRICAL CONNECTION REQUIREMENTS.

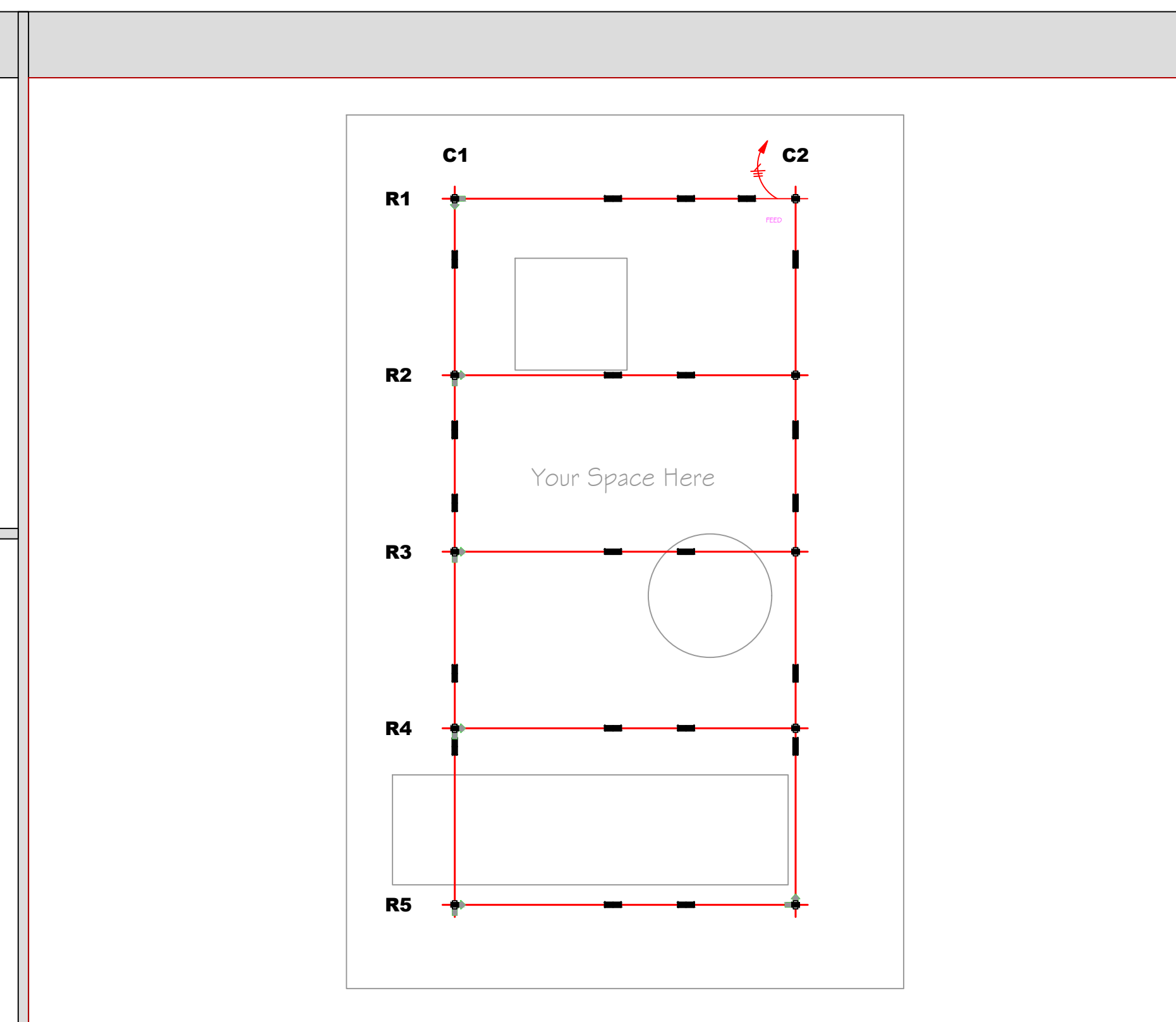
### CONNECTION TO STRUCTURE

ATTACHMENT FROM busSTRUT SYSTEM TO STRUCTURE MUST BE ENGINEERED AND INSTALLED TO PROPERLY SUPPORT THE ENTIRE SUSPENDED WEIGHT.

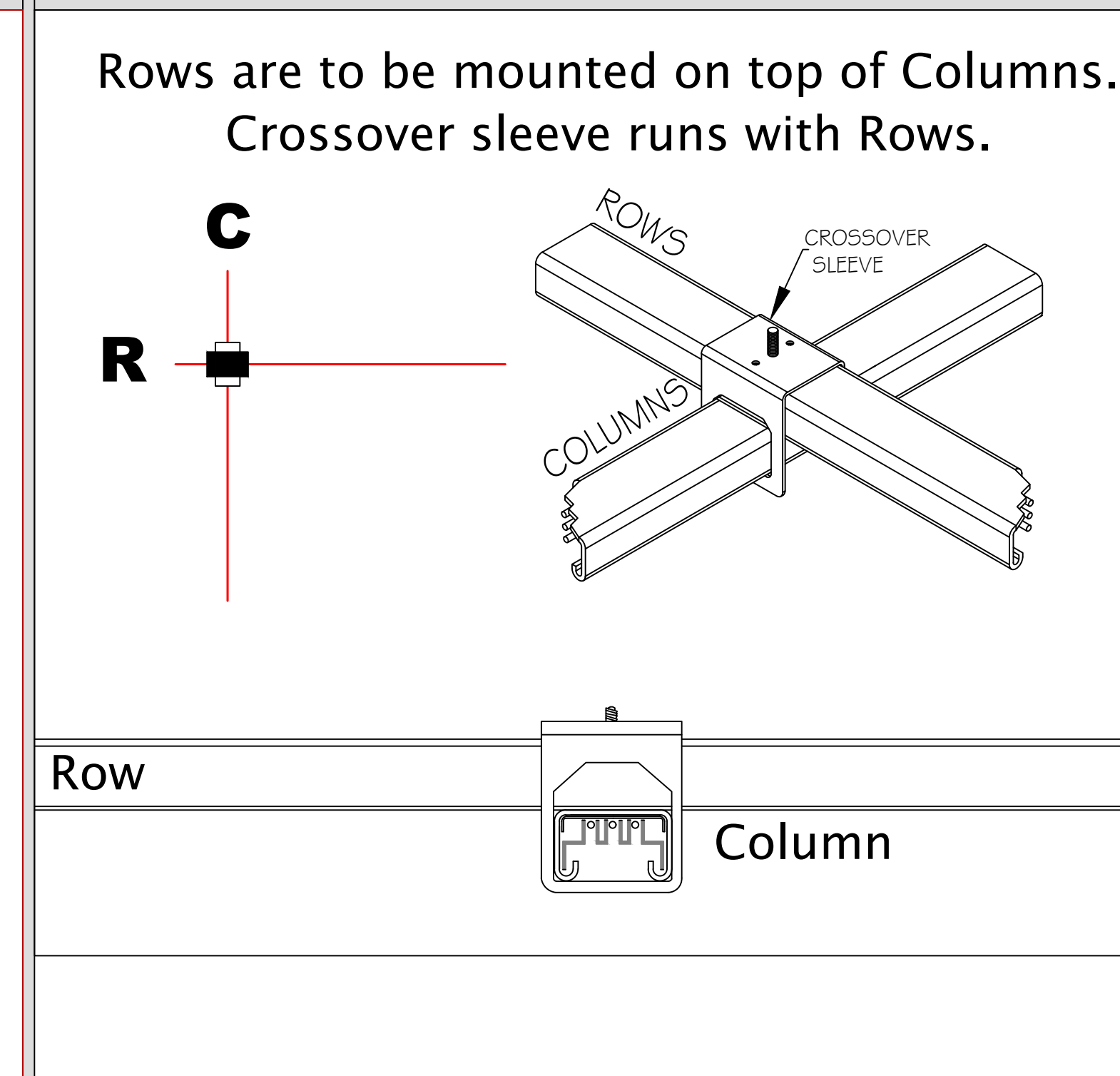


### TABLE OF CONTENTS

<b>E-b01</b> <b>E-b02</b>	Typical Installation Instructions
<b>E-b1</b> <b>E-b2</b>	Lighting Plan, BOM, & Labor Hours Assembly Plan



### KEY MOUNTING RULES



### Legend

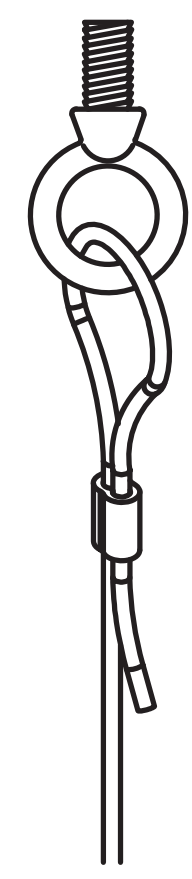
	busSTRUT 20 / Single Deck
	30" Starter Feed
	Joiner
	1/1 Slimline Crossover
	Slimline Jumper

### APPROVAL



# STEP 1

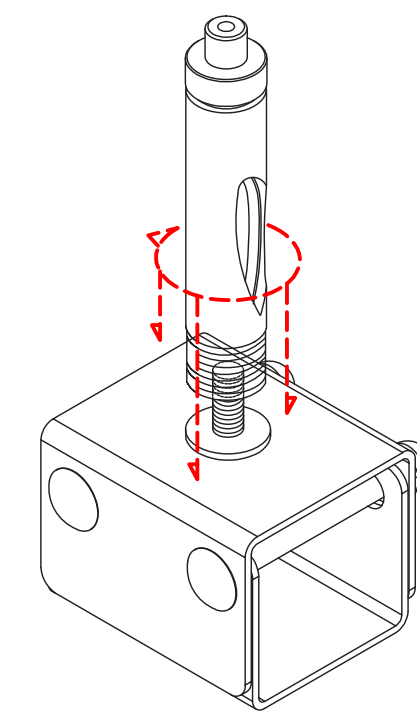
## SUSPENDING busSTRUT



### 1 SUSPEND CABLES (CG-XX)

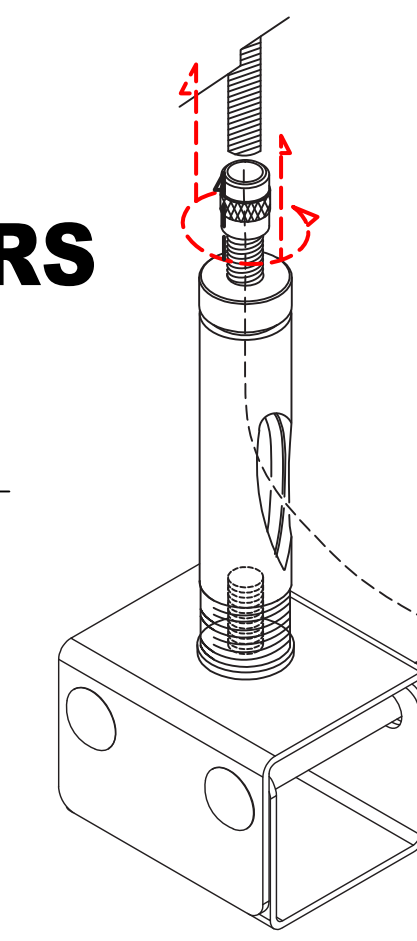
ATTACH CABLE ASSEMBLY TO STRUCTURE

\*It is the contractor and/or engineer's responsibility to determine correct connection to structure (beam clamp, etc).



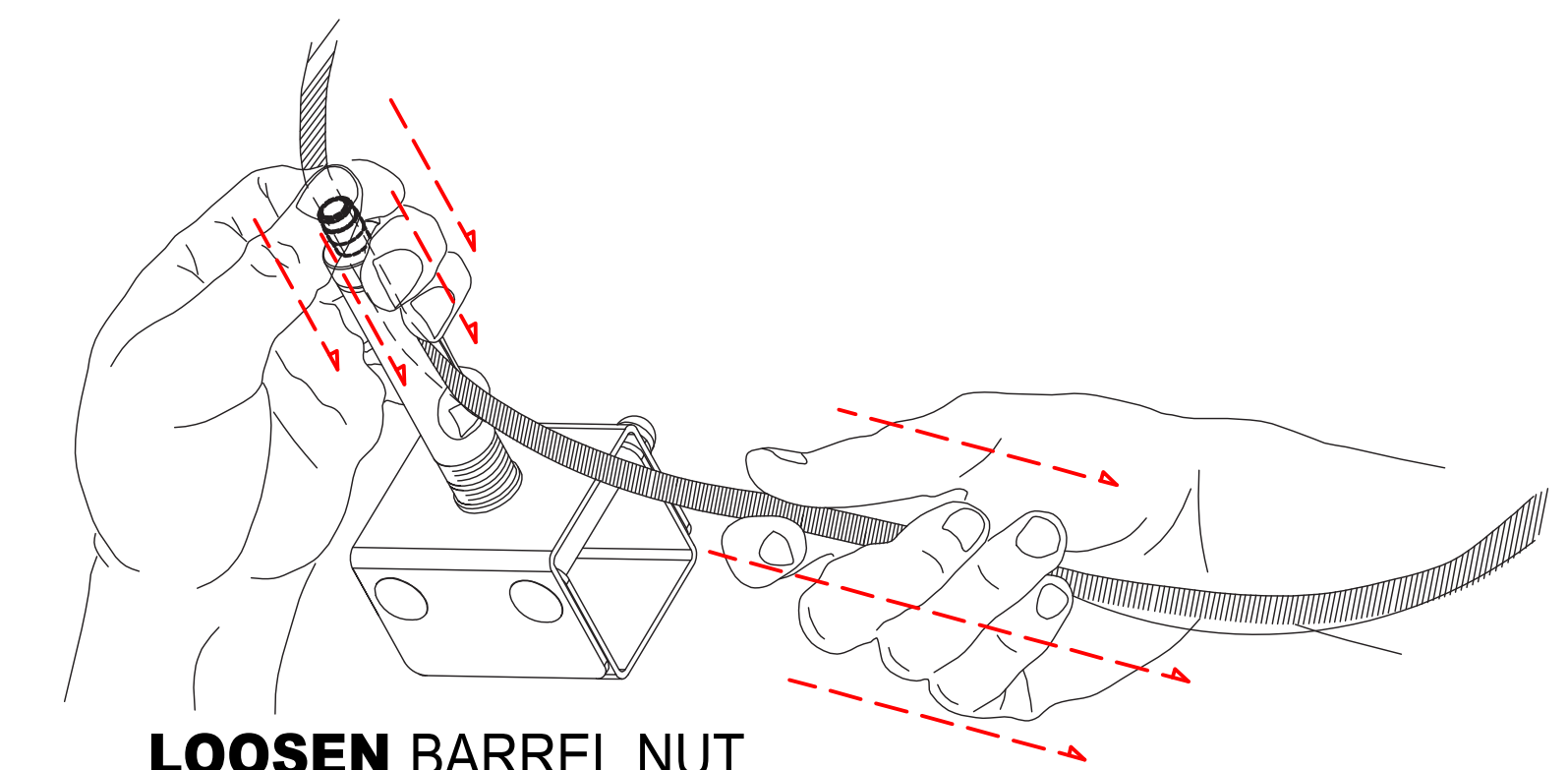
### 2 ASSEMBLE HANGERS (HM-S)

ASSEMBLE HANGERS AND ATTACH CABLE GLIDE



### 3 ATTACH HANGERS TO CABLES (CG-XX)

FEED CABLES THROUGH GLIDE TO ATTACH



LOOSEN BARREL NUT  
PUSH CABLE THROUGH  
PULL CABLE FOR SLACK

## SLIDE busSTRUT THROUGH SUSPENDED HANGERS

### Assemble

Create cable suspended runs of busSTRUT. Usually, these are running perpendicular to structural joists. Insert busSTRUT lengths through hangers/crossovers working from FINISHED HEIGHT.

FINISHED HEIGHT

\*It is the contractor and/or engineer's responsibility to determine correct connection to structure (beam clamp, etc).

## LEVEL busSTRUT AND TRIM CABLE

FINISHED HEIGHT

CUT CABLE  
Leave enough pass through cable for future leveling

BE SURE TO FOLLOW busSTRUT MOUNTING RULES (SEE busSTRUT shop drawings)

# STEP 2

## INSERT JOINERS

ATTACH JOINERS TO EACH END OF CONNECTING busSTRUT

### JOINERS (M-JB)

Joiners are used to mechanically and electrically connect individual busSTRUT lengths.

## TIGHTEN JOINERS

TIGHTEN SET SCREWS ON THE BOTTOM OF THE JOINER

\*Joiners require 3/32 Hex key for tightening set screws\*

## ATTACH INSERT

ATTACH JOINERS TO EACH END OF CONNECTING busSTRUT

Line up center of insert with etched centerline on joiner sleeve

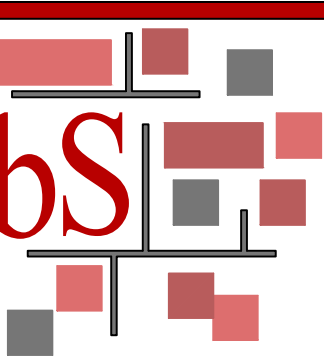
### JOINER INSERT (M-JI-X)

A single piece unit that is installed with two knobs, one must be fully turned in each abutting length. As a result, power can continue to flow from one length to the next.

Turn the first knob

Squeeze tightly on the opposite side, then turn the second knob to secure the electrical connection.

\*\*Installation Instruction Guidelines are provided only as that, informative guidelines. Defer to architectural/engineering drawings tailored to the specific project.



busSTRUT  
805 Hilldowne Road  
Suite C  
Westerville, OH  
43081  
TEL: 614.933.8695  
E-MAIL: INFO@busSTRUT.COM  
WWW.BUSSTRUT.COM

DESIGNED BY  
LARRY GELLERT  
CHECKED BY  
JOHN LOCH  
DRAWN BY  
JOHN LOCH  
DATE  
11/01/2024  
JOB NO.  
BID / REVIEW

TYPICAL  
busSTRUT Installation Instructions

busSTRUT SHOP DRAWING SET (ONLY)  
NOT A REPLACEMENT FOR ARCHITECTURAL / ENGINEERING OR ELECTRICAL DRAWINGS

NO.	DATE	REVISION DESCRIPTION
XX	XXXX	PERSON DESCRIPTION

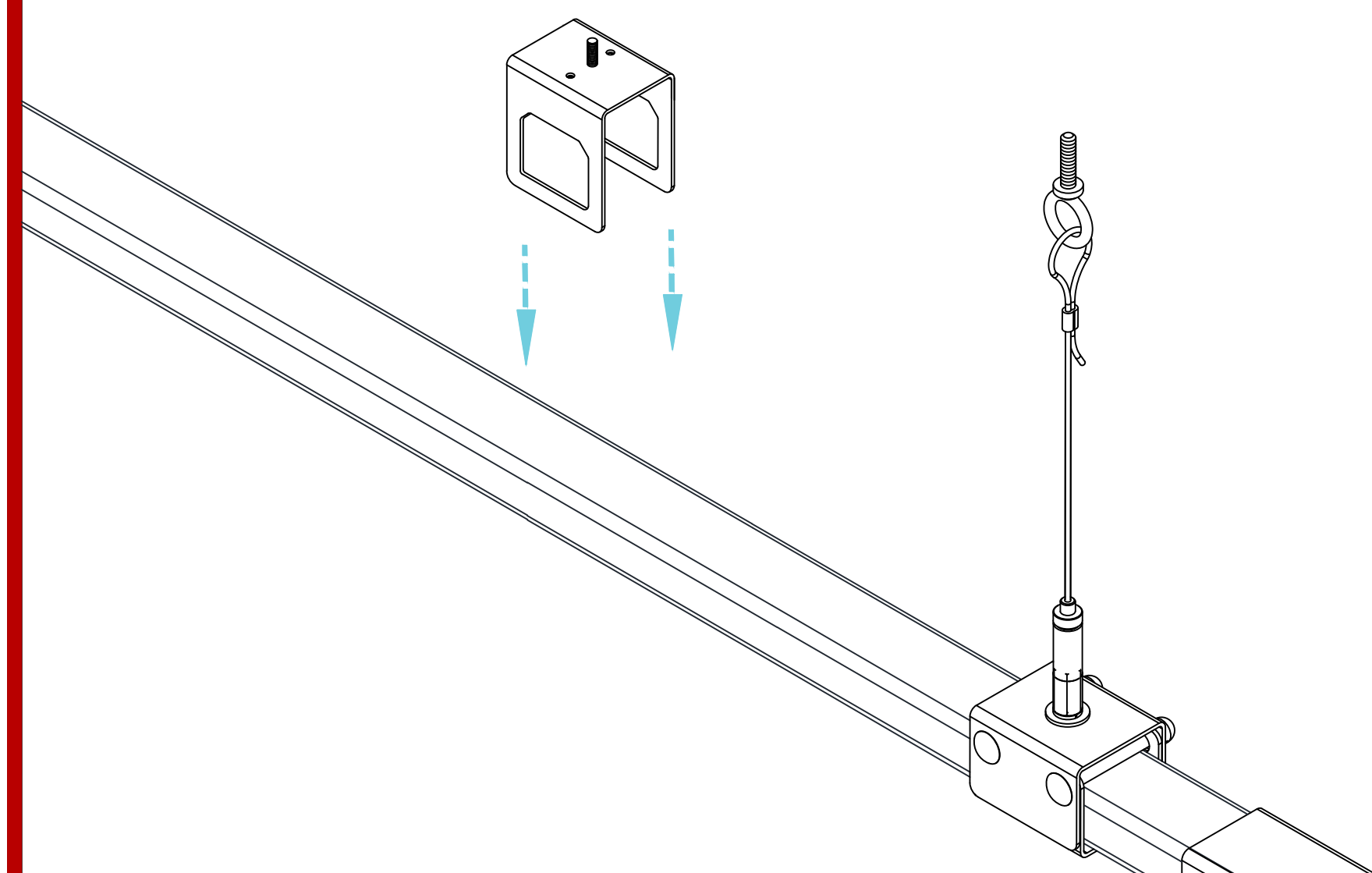
PAPER SIZE:  
ARCH E (48x36)  
NOT TO SCALE  
DRAWING NUMBER  
E-b01



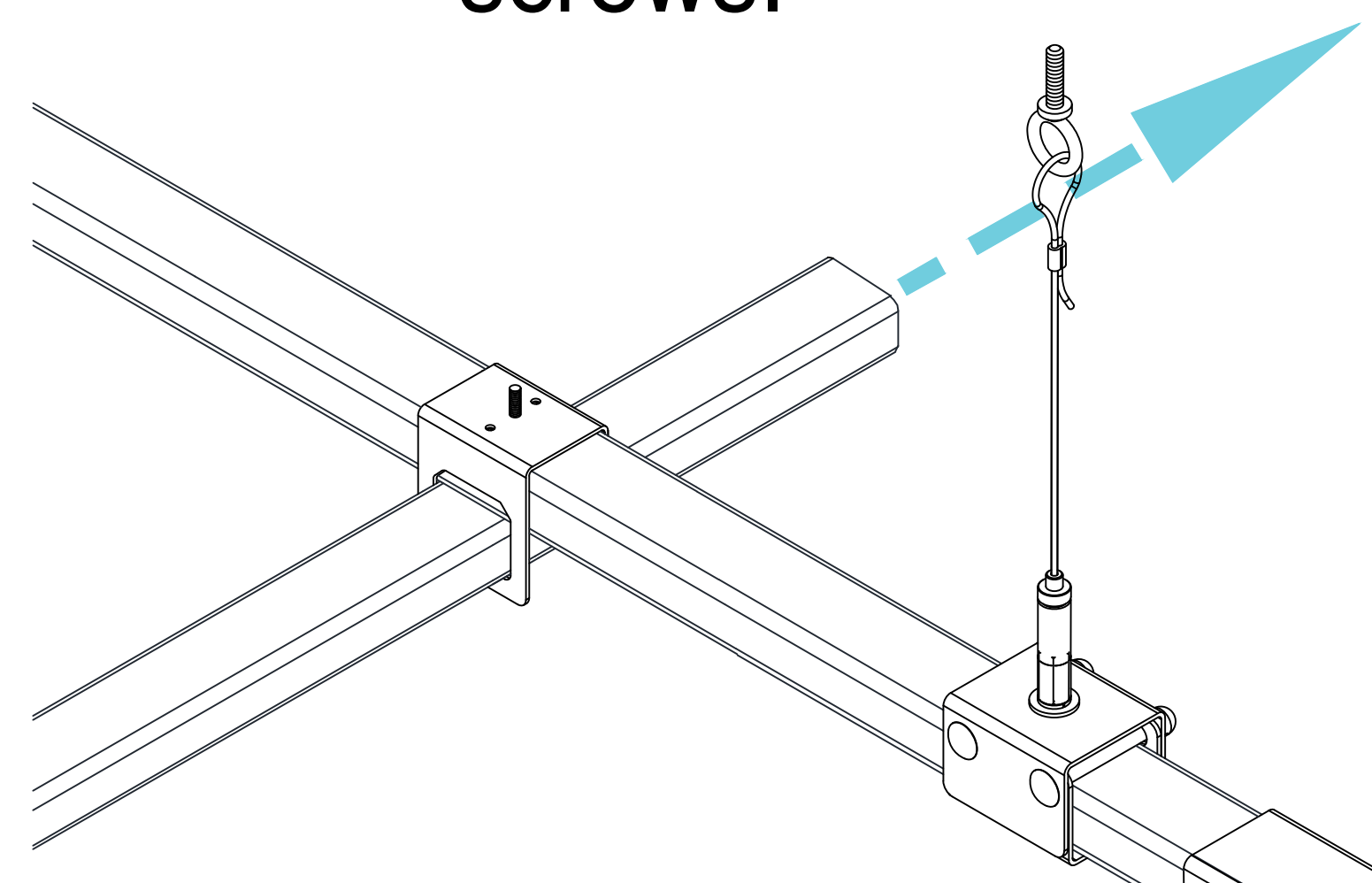
# STEP 3

## INSTALLING CROSSOVERS DROPPING ON

Crossovers can be dropped onto suspended busSTRUT to create an intersection with a perpendicular run of busSTRUT.

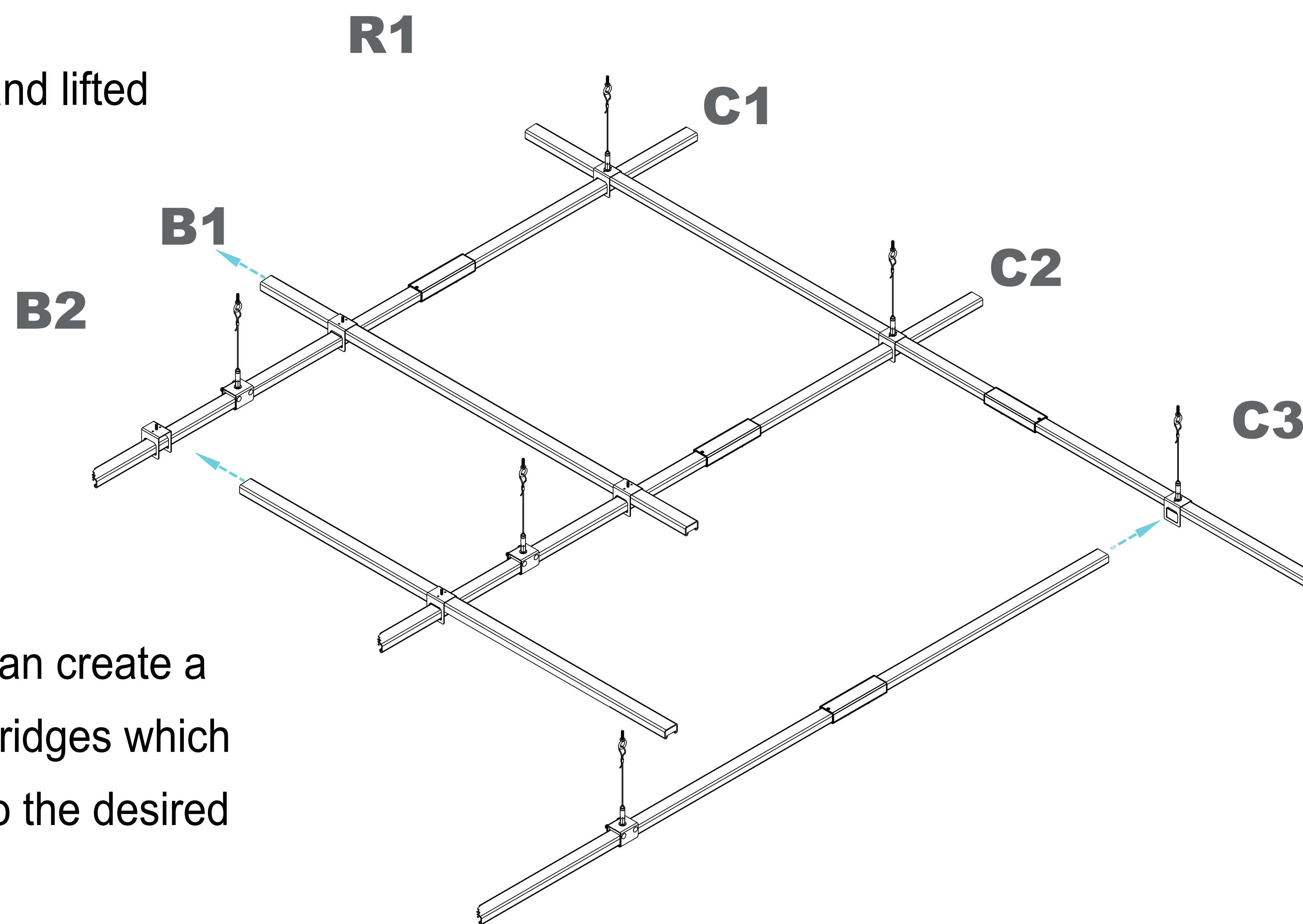


Slide perpendicular runs of busSTRUT through the crossover and tighten the set screws.



## SLIDING ON

Crossovers can be slid into position and lifted to create perpendicular bridges.

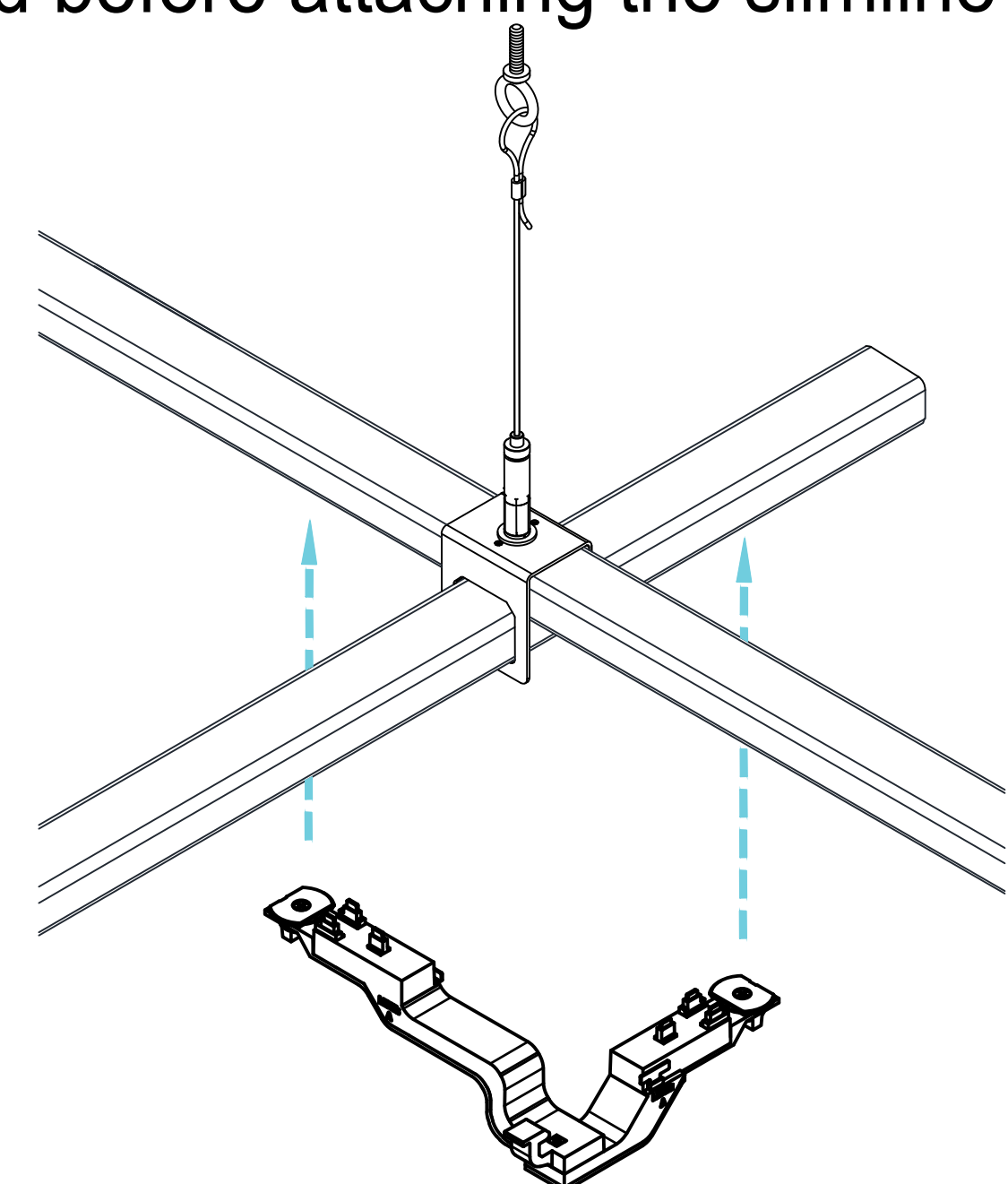


Perpendicular runs can create a full grid or be short bridges which are easily moved into the desired position.

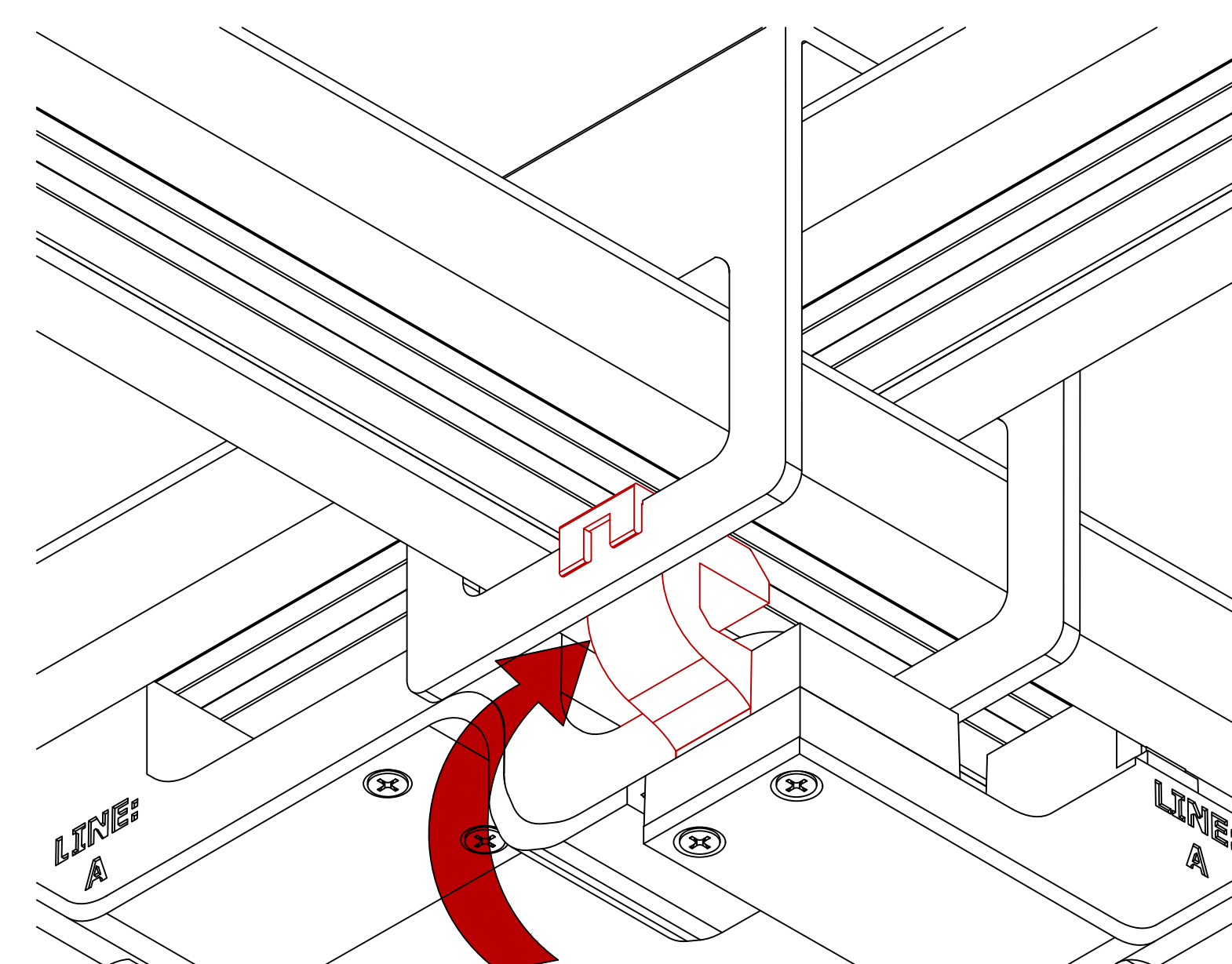
# STEP 4A

## SLIMLINE JUMPER

Make sure that the slimline crossover is tightened before attaching the slimline jumper.

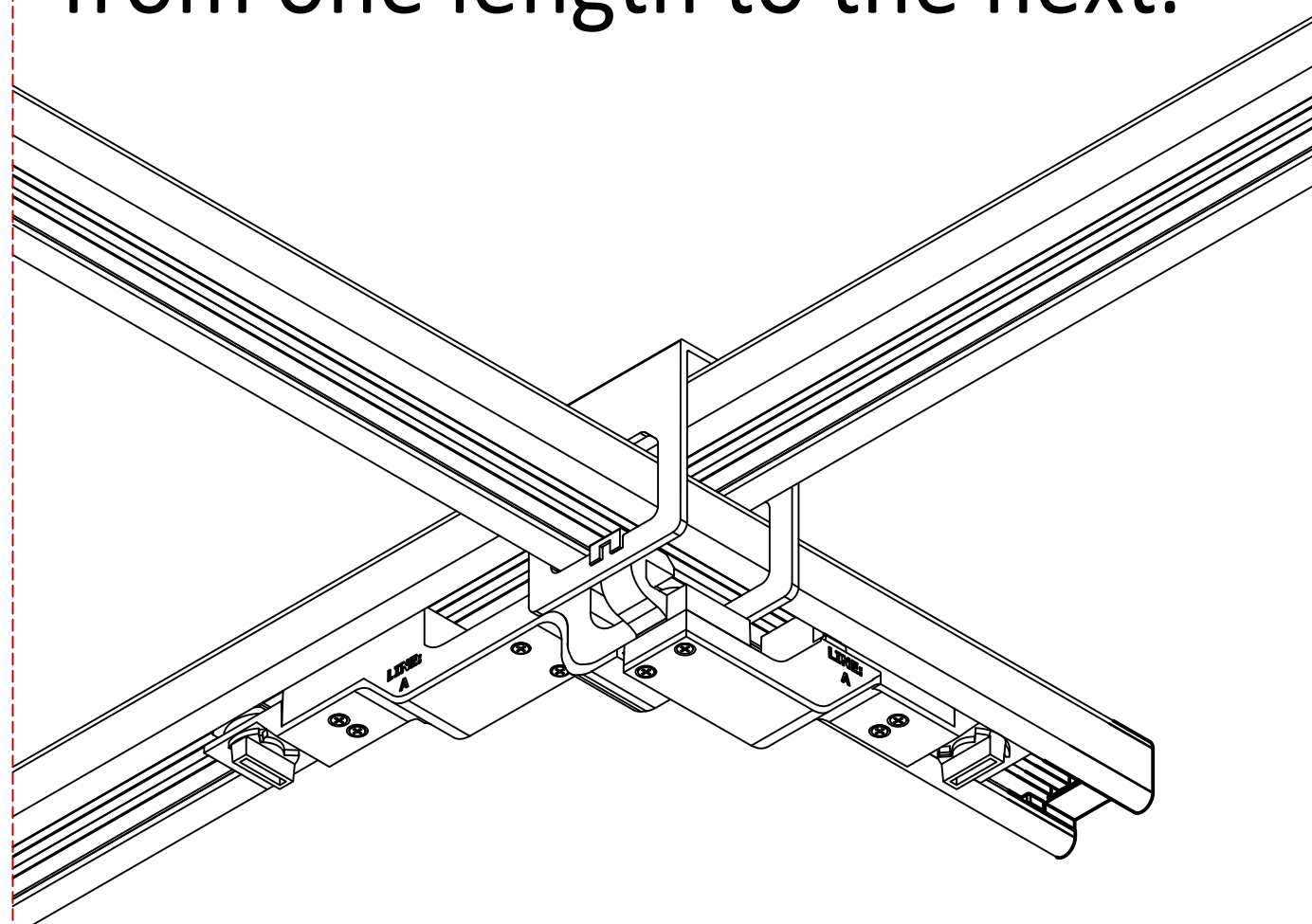


First, clip the jumper to the crossover.

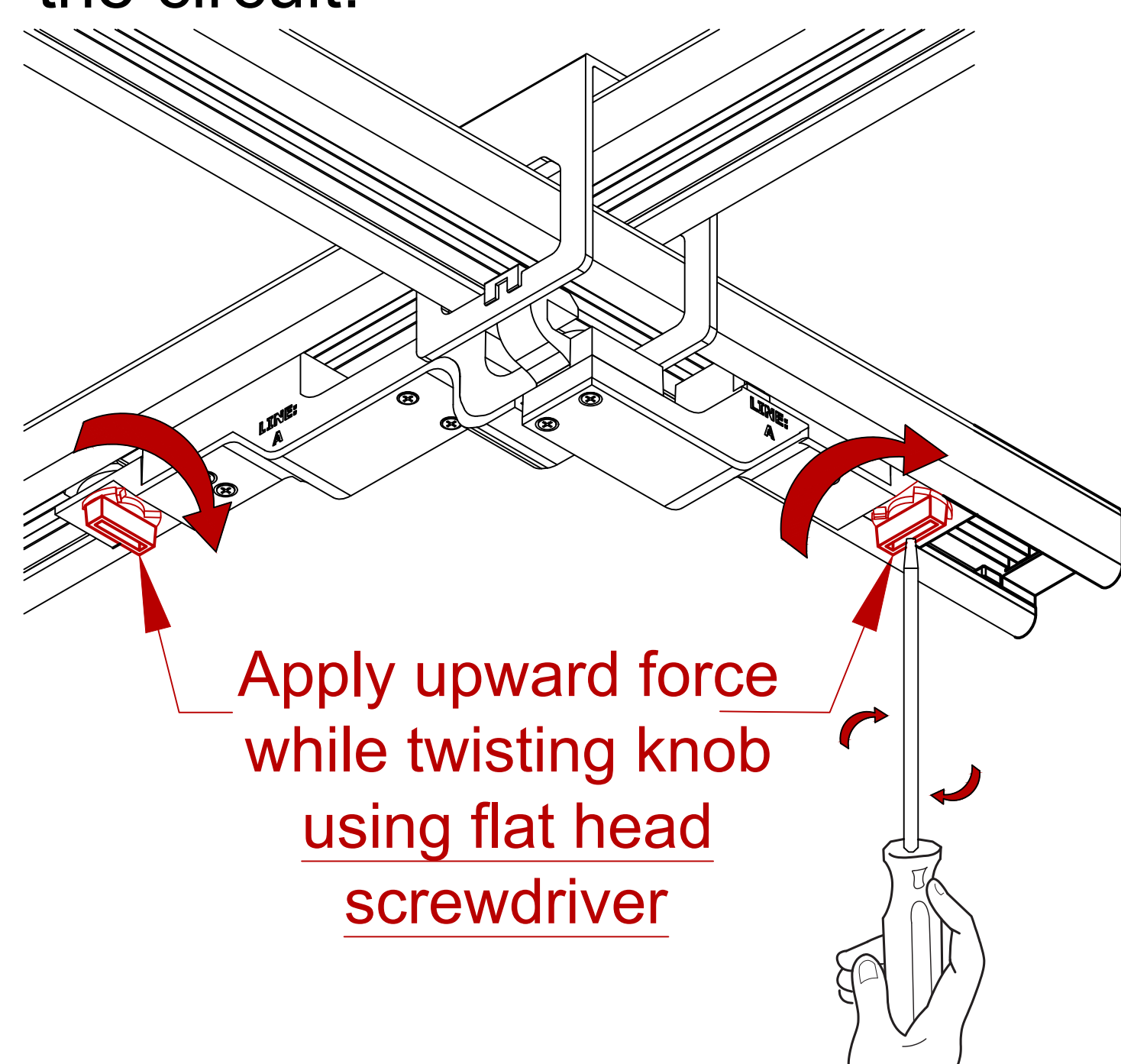


### SLIMLINE JUMPER (MD2020-UNIV-IJ2-B-X)

A single piece unit that is installed with two knobs, one must be fully turned in each abutting length. As a result, power can continue to flow from one length to the next.



Seat the jumper into the busSTRUT by squeezing tightly on one side and turning the knob. Then, turn the other knob to complete the circuit.

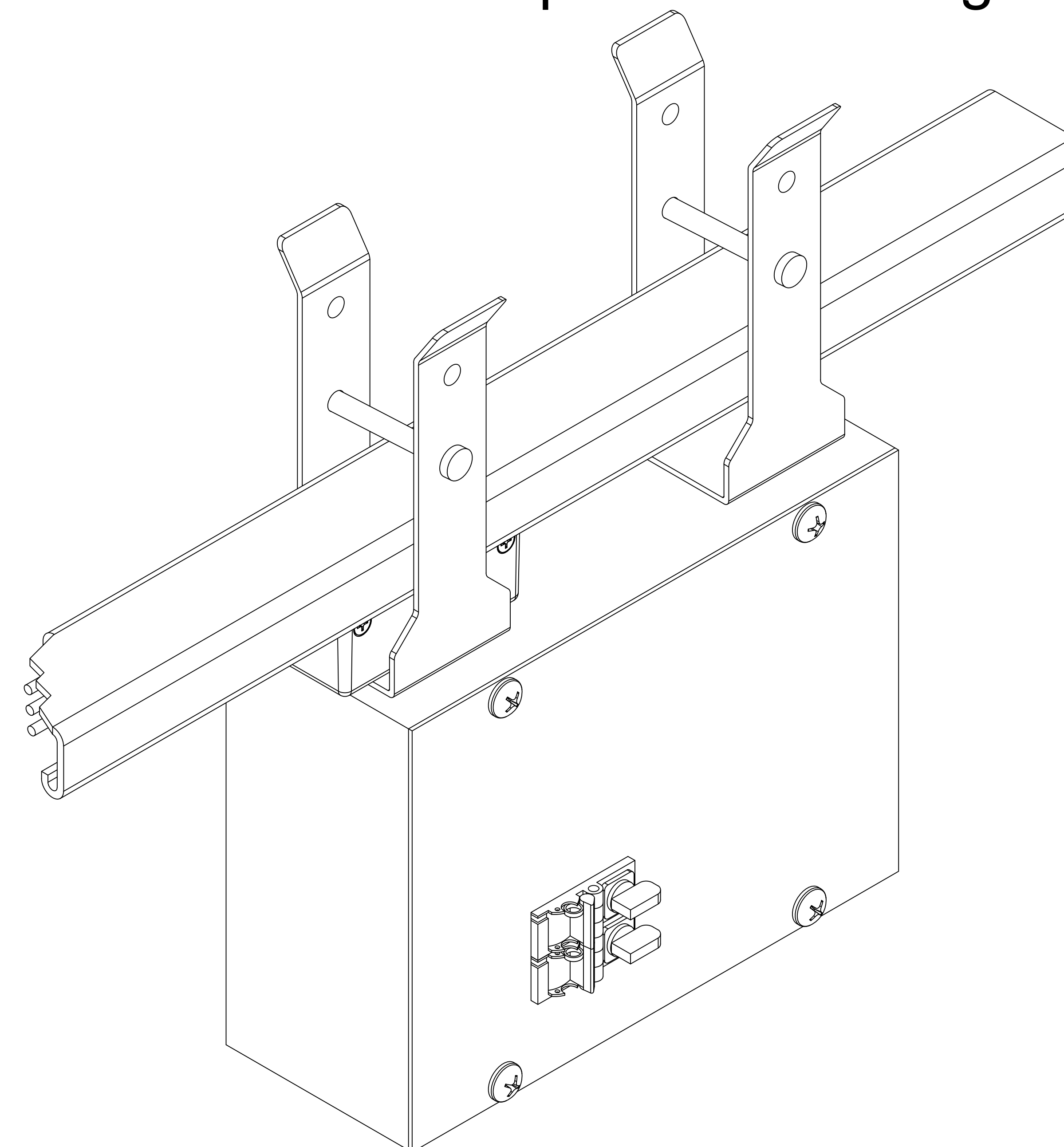


Apply upward force while twisting knob using flat head screwdriver

# STEP 4B

## LINE FEEDS

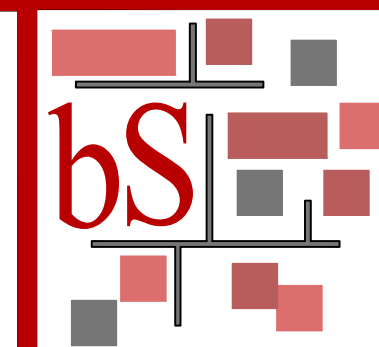
Install line feeds on busSTRUT to power the configuration.



## 20A LINE FEED

Shown on single decked busSTRUT

\*\*Installation Instruction Guidelines are provided only as that, informative guidelines. Defer to architectural/engineering drawings tailored to the specific project.



busSTRUT  
805 Hillside Road  
Suite C  
Westerville, OH  
43081  
TEL: 614.933.8695  
E-MAIL: INFO@busSTRUT.COM  
WWW.BUSSTRUT.COM

DESIGNED BY  
LARRY GELLERT  
CHECKED BY  
JOHN LOCH  
DRAWN BY  
JOHN LOCH  
DATE  
11/01/2024  
APPROVED FOR  
BID/REVIEW

TYPICAL  
busSTRUT Installation Instructions

busSTRUT  
SHOP DRAWING SET(ONLY)  
NOT A REPLACEMENT FOR  
ARCHITECTURAL/  
ENGINEERING OR ELECTRICAL  
DRAWINGS

NO.	DATE	REV.	DESCRIPTION

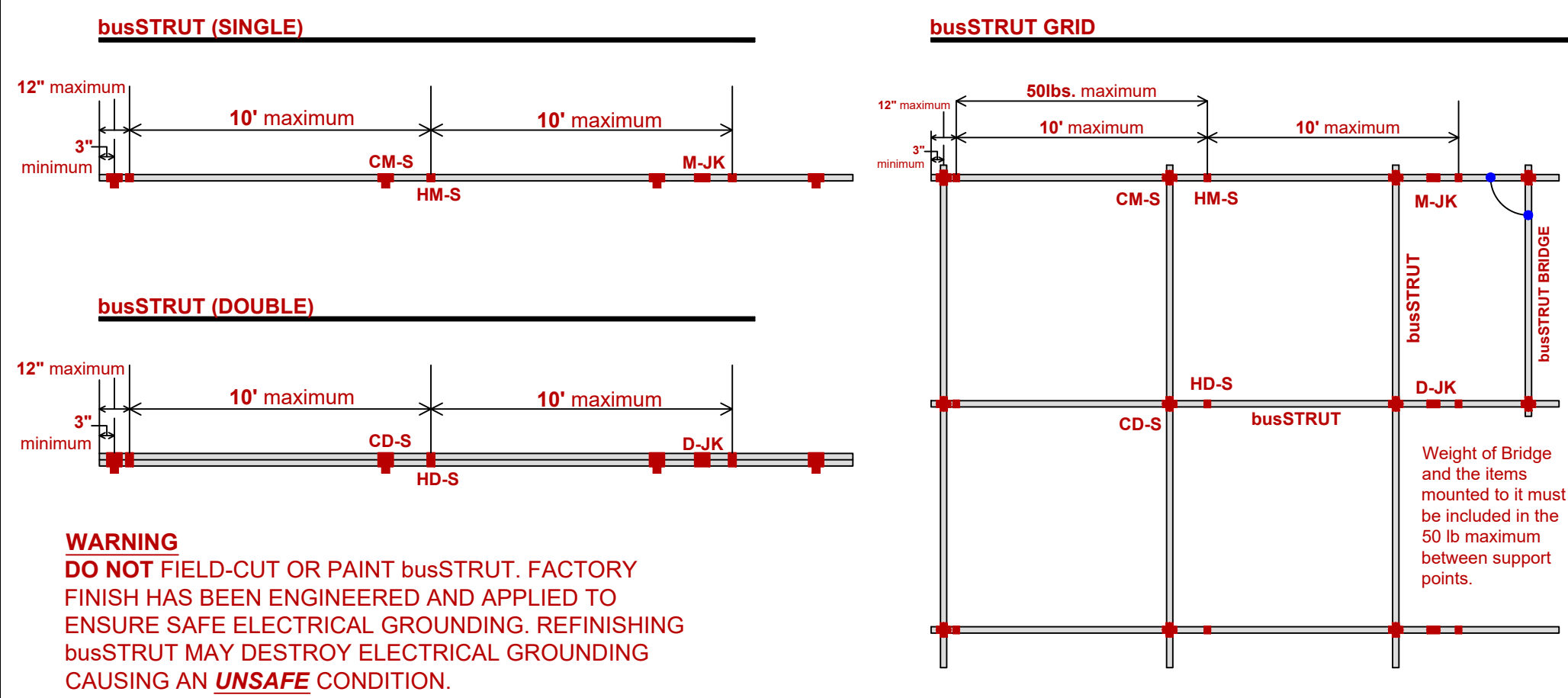
PAPER SIZE:  
ARCH E (48x36)  
NOT TO SCALE  
DRAWING NUMBER  
E-b02



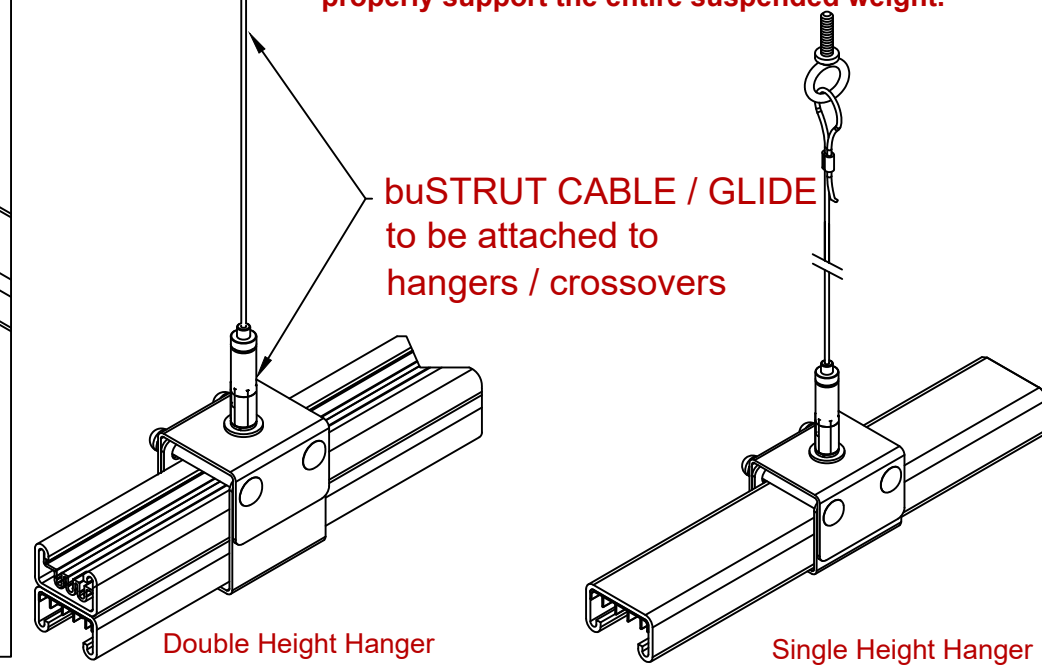
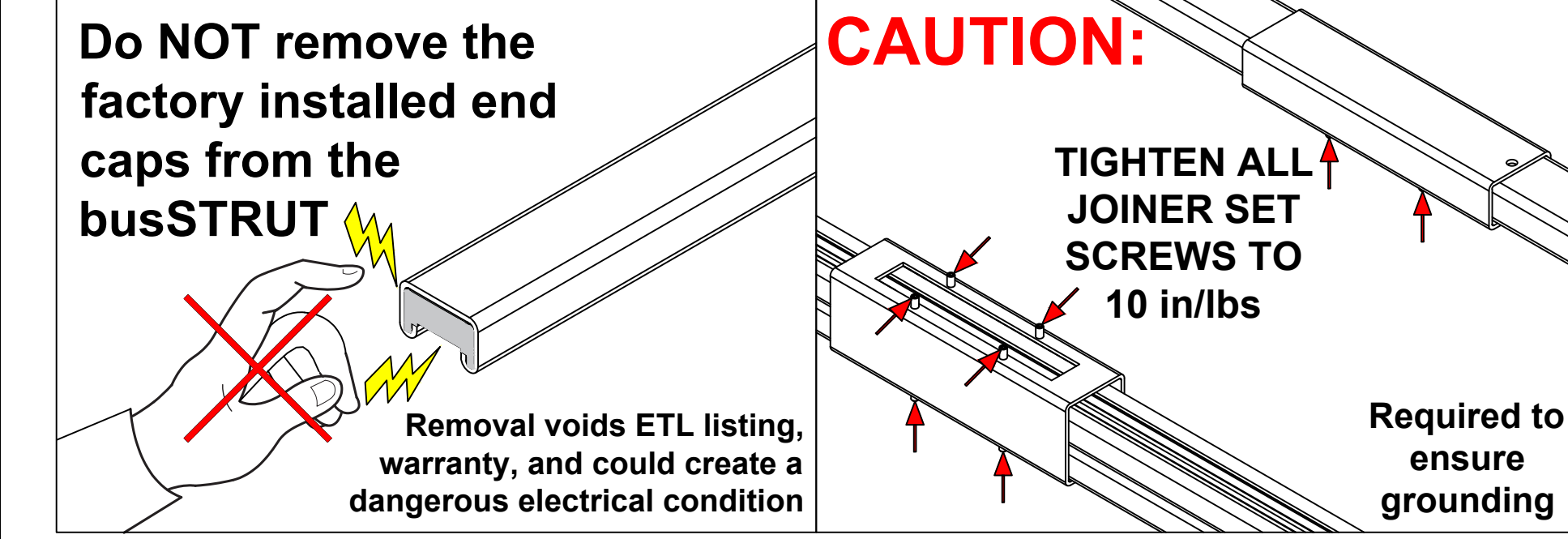




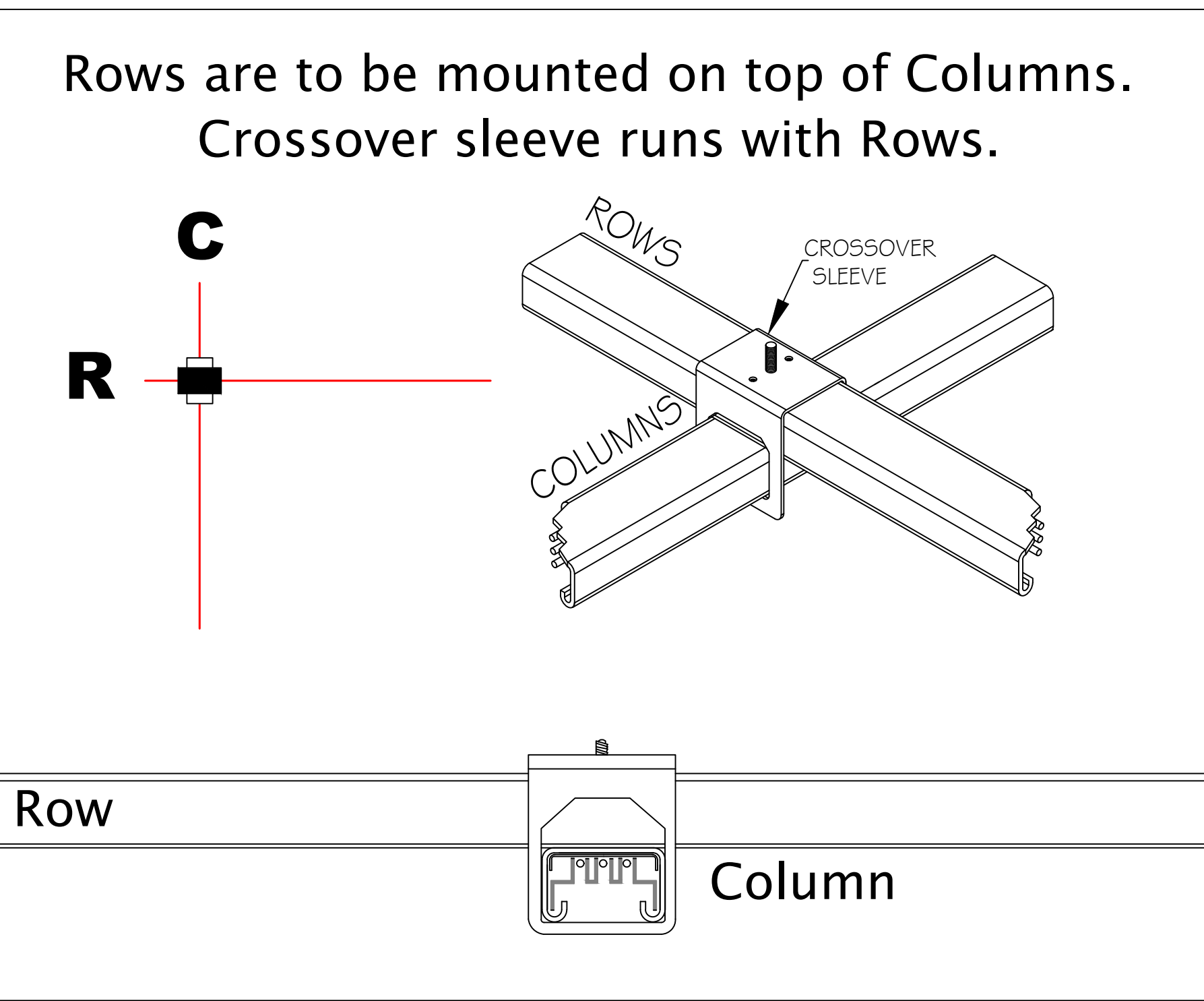
# Mounting Rules



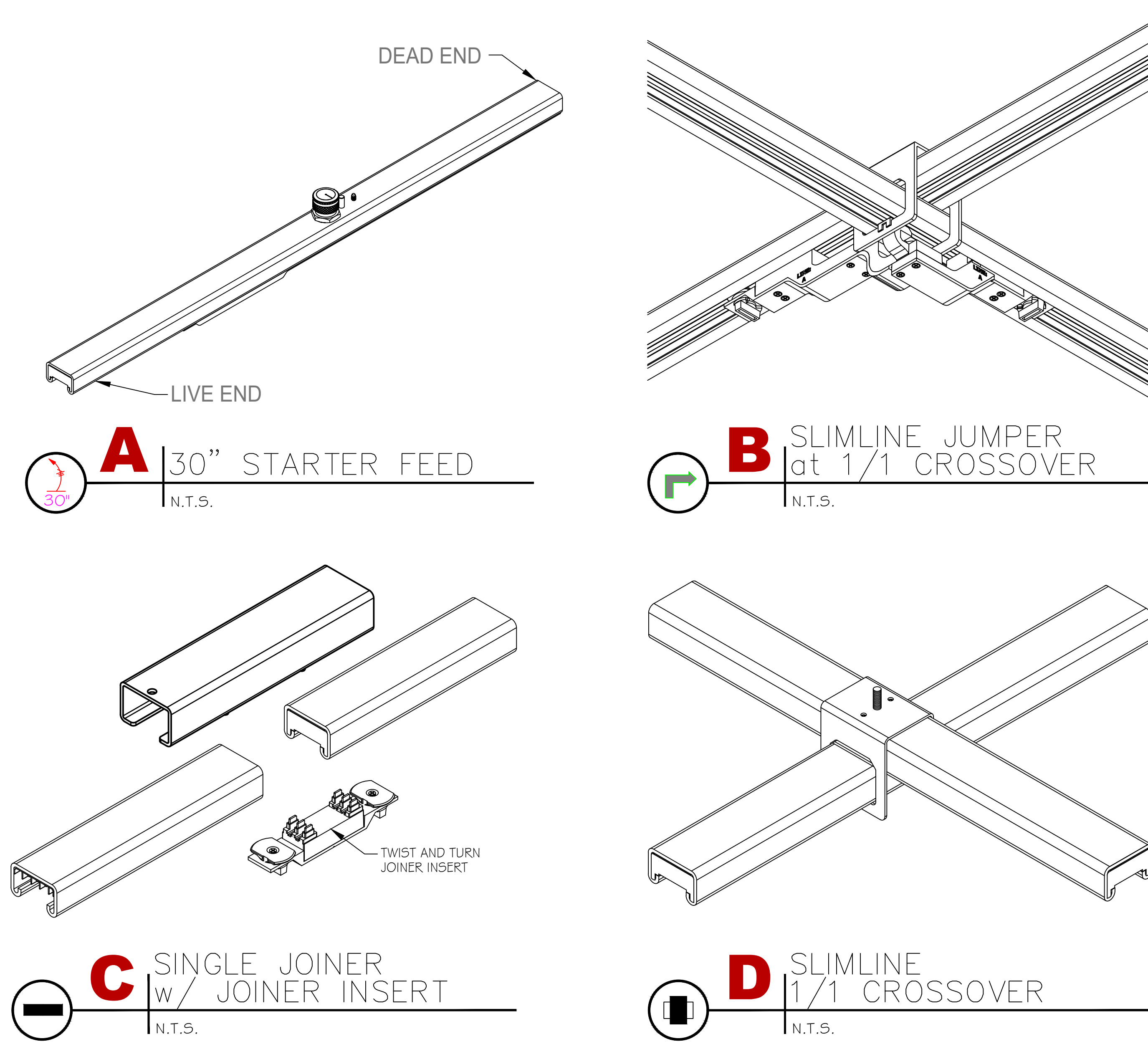
- DISTANCE:**  
 10' MAXIMUM 10' spacing between support points
- 12" Support point must be within 12" from every end or corner
- 3" MINIMUM 3" of busSTRUT to be exposed beyond end of mounting hangers and/or crossovers
- WEIGHT:**  
 50 lbs Maximum 50 pounds between support points (Include weight of busSTRUT System)  
 Weight of 1 foot of busSTRUT:  
 Single (MIN) - 1.5 lb per Linear Foot (not including connected weight)  
 Double (MAX) - 3 lb per Linear Foot (not including connected weight)
- FITTERS**  
 40 lbs The busSTRUT Flip-Fitters (with metal bracket) are rated for 40 lbs maximum static, vertical load.  
 Flip-Fitters without metal bracket are for use with standard track light fixtures only. Consult for maximum weight restrictions.
- Only busSTRUT fittings and hardware may be mounted directly to busSTRUT.
- CONNECTION TO STRUCTURE BY OTHERS**  
 Attachment from busSTRUT System to structure must be engineered and installed to properly support the entire suspended weight.



## Project Specific Rules

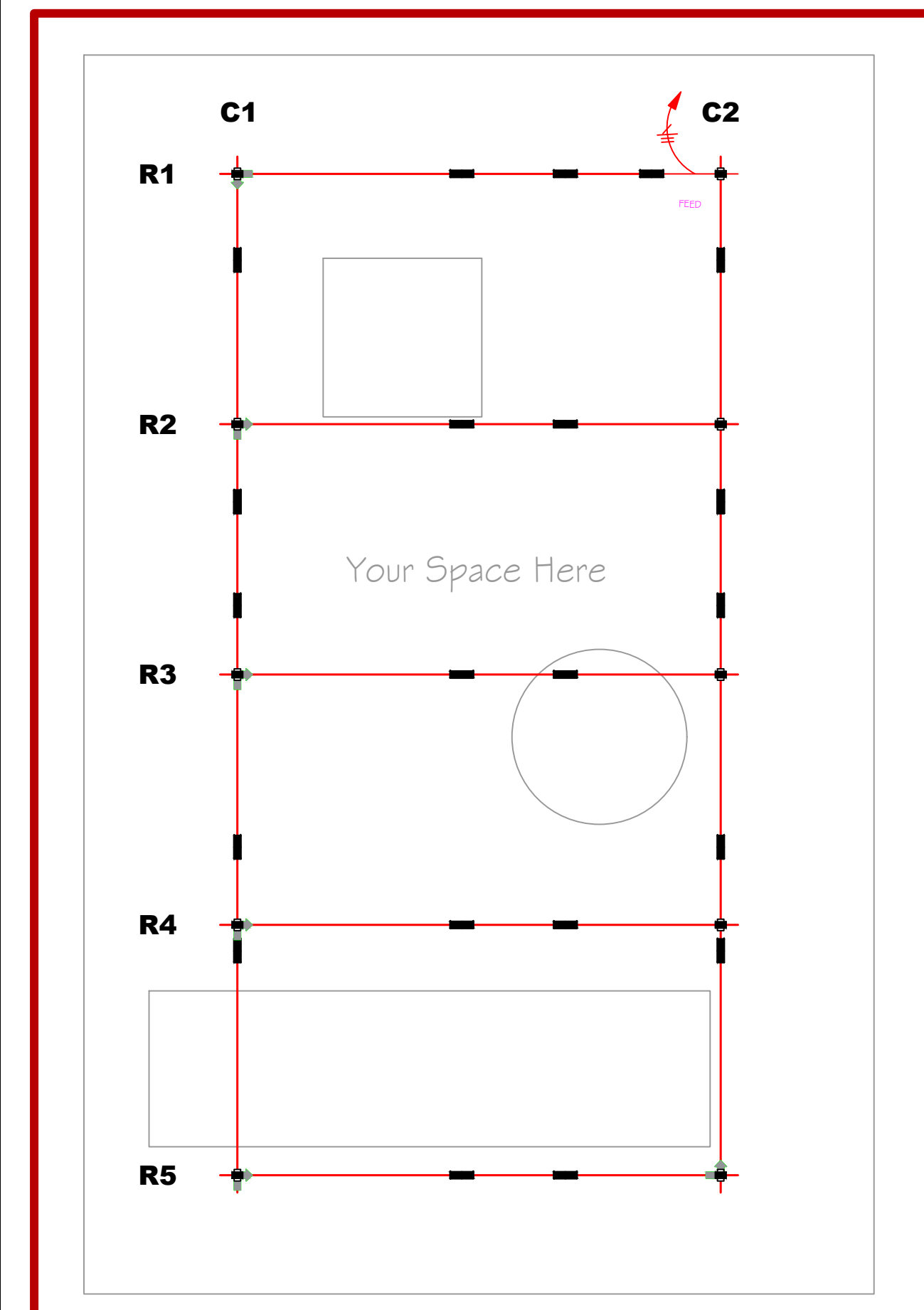


## ISO Details

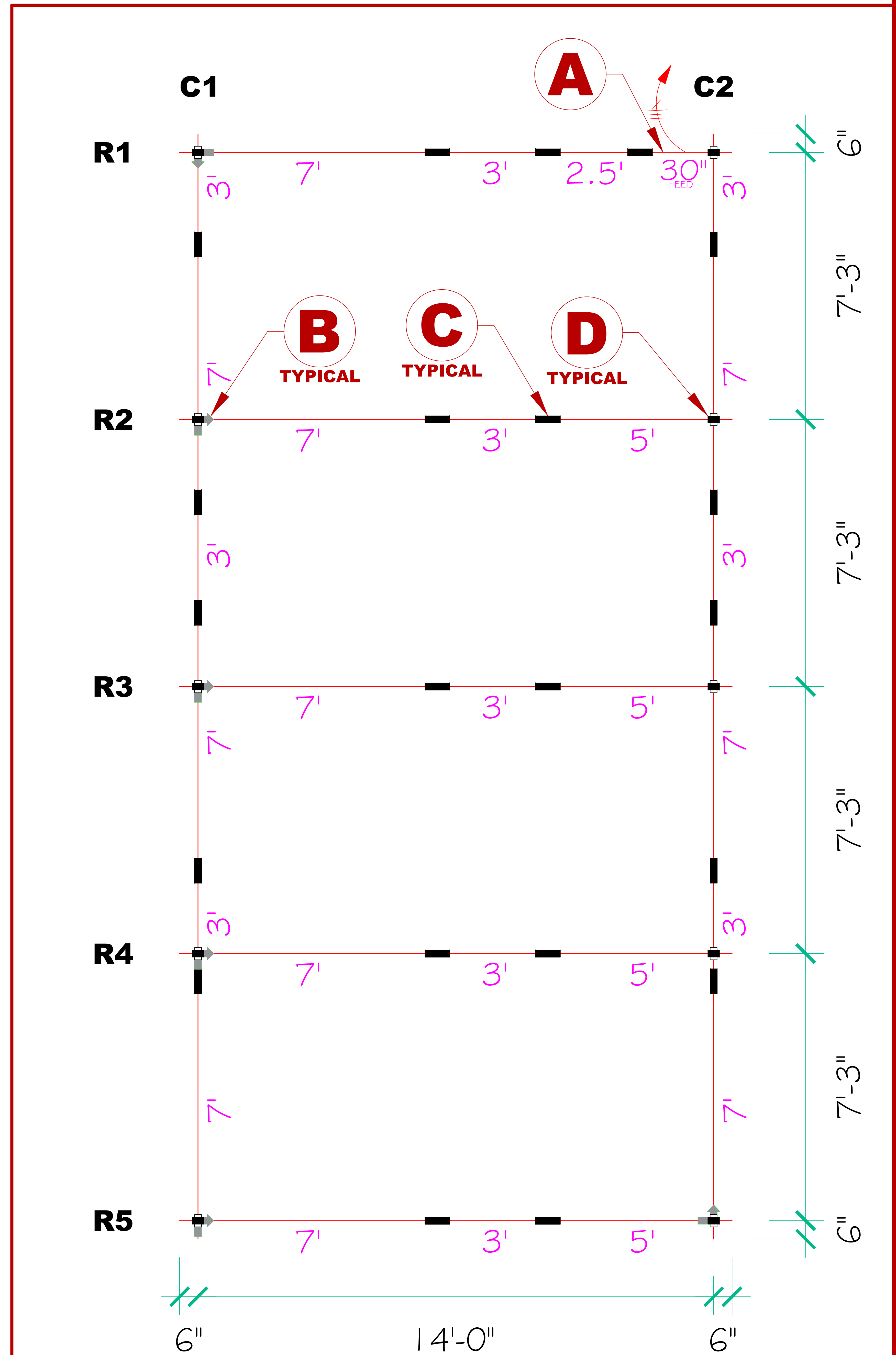


busSTRUT Lengths Used in this Project

- 2.5'
- 3'
- 5'
- 7'



## Dimensions



## Legend

	busSTRUT 20 / Single Deck
	30" Starter Feed
	Joiner
	1/1 Slimline Crossover
	Slimline Jumper

**bs**  
 busSTRUT  
 805 Hillstone Road  
 Westerville, OH  
 43081  
 TEL: 614-933-8695  
 E-MAIL: INFO@BUSSTRUT.COM  
 WWW.BUSSTRUT.COM

PREPARED BY: LARRY GELLERT  
 CHECKED BY: JOHN LOCH  
 DRAWN BY: JOHN LOCH  
 DATE: 11/01/2024  
 REVISION: BID/REVIEW

**Assembly Plan**  
 Rectangle Large

busSTRUT DRAWING SET (ONLY) STOP HERE! NO FURTHER PROGRESS FOR ARCHITECTURAL, ENGINEERING OR ELECTRICAL DRAWINGS

NO.	DATE	REVISION DESCRIPTION	BY

PAPER SIZE: ARCH E (48x36)  
 SCALE 3/4" = 1'-0"  
 DRAWING NUMBER: E-b2