

PRODUCT DATA

busSTRUT SYSTEM

busSTRUT

SINGLE-DECK



busSTRUT : GALVANIZED

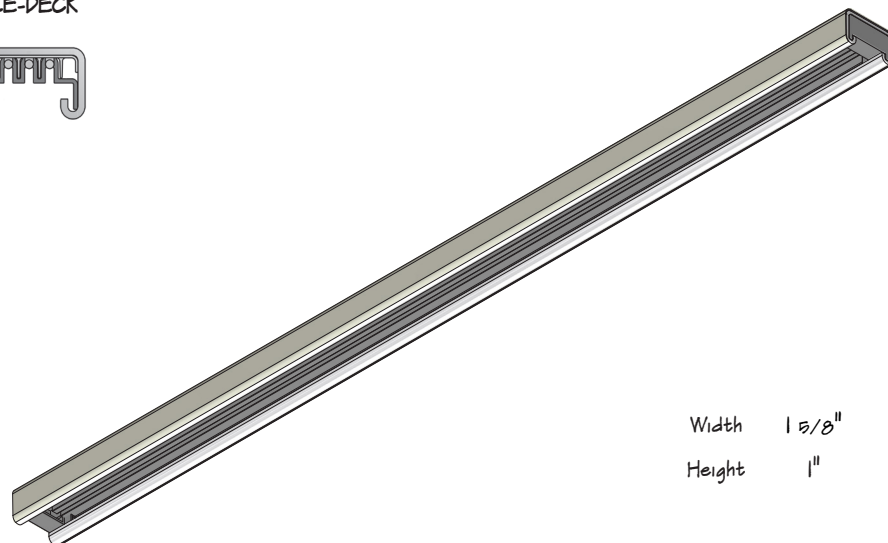
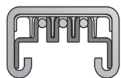
DOUBLE-DECK



LENGTH

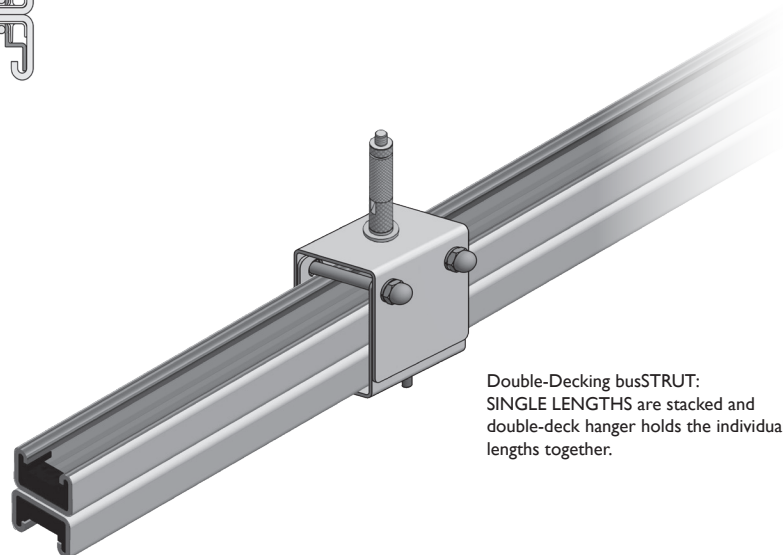
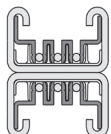
busSTRUT : GALVANIZED

SINGLE-DECK



Width 1 5/8"
Height 1"

DOUBLE-DECK



Double-Decking busSTRUT:
SINGLE LENGTHS are stacked and
double-deck hanger holds the individual
lengths together.

| busSTRUT | | | | |
|---|--------------------|------------------------|--|-------------------|
| SINGLE / DOUBLE-DECK (two single lengths of busSTRUT) | | | | |
| | | | (L) | (F) |
| 20 AMP | up to 277V MAX. | M20-3-40-277-(L)-(F)-B | 2.5' 5' 10' XX' (CUSTOM LENGTH) | G SC W B |
| 40 AMP | up to 277V MAX. | M40-3-80-277-(L)-(F)-B | 2.5' 5' 10' XX' (CUSTOM LENGTH) | G SC W B |
| EMPTY | NON-POWERED | M00-(L)-(F)-B | 2.5' 5' 10' XX' (CUSTOM LENGTH) | G SC W B |

Finish - G=Galvanized SC=Sleeved Copper W=White B=Black

busSTRUT is PREWIRED, 1-5/8" x 1", 12 Ga. steel, 3 Pole busway. Runs, rows, and grids are all "Plug & Play." Specify busSTRUT/20 (two 20A circuits) and/or busSTRUT/40 (two 40A circuits) in galvanized, sleeved copper, white, or black in 2.5', 5', 10', and custom lengths. busSTRUT/20 is mainly for use with light fixtures. busSTRUT/40 is for power distribution. busSTRUT lengths work together effortlessly. There are no visual differences so the look is integrated, sleek, and uncluttered. The endblocks are built into each length- no end caps are required.

busSTRUT

SINGLE-DECK



busSTRUT : GALVANIZED
joiner : galvanized

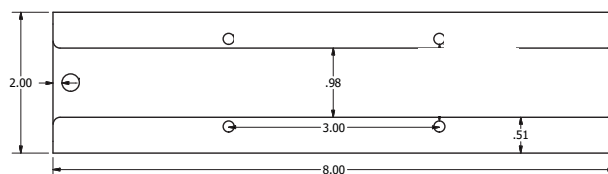
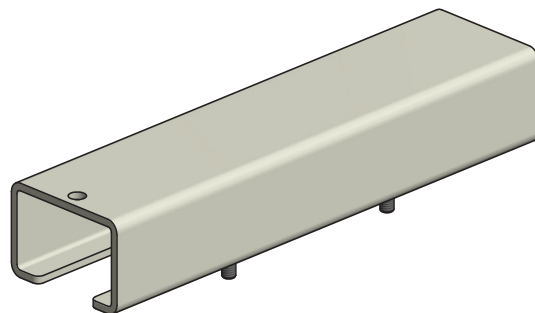
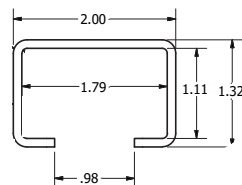
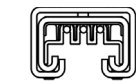
DOUBLE-DECK



busSTRUT : GALVANIZED
joiner : galvanized

JOINER

SINGLE-DECK



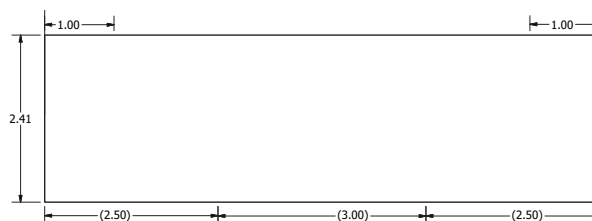
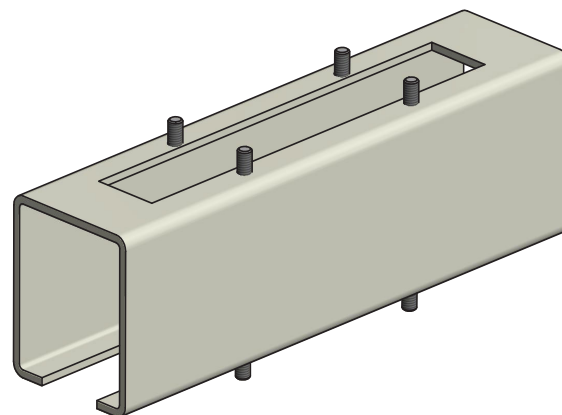
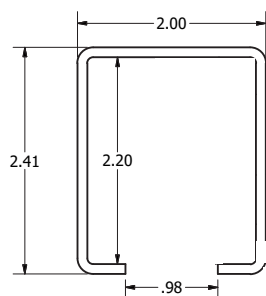
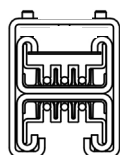
SINGLE JOINER

For use with two busSTRUT lengths. Single-Deck Joiners provide mechanical connections. Invisible screws secure the joiner to the busSTRUT lengths.

M-JB-(F)-X

Finish (F): G=Galvanized W=White B=Black

DOUBLE-DECK



DOUBLE JOINER

For use with four busSTRUT lengths. Double-Deck Joiners provide mechanical connections. Invisible screws secure the joiner to the busSTRUT lengths.

M-JB-(F)-X

Finish (F): G=Galvanized W=White B=Black

busSTRUT

SINGLE-DECK



busSTRUT : GALVANIZED
joiner : galvanized

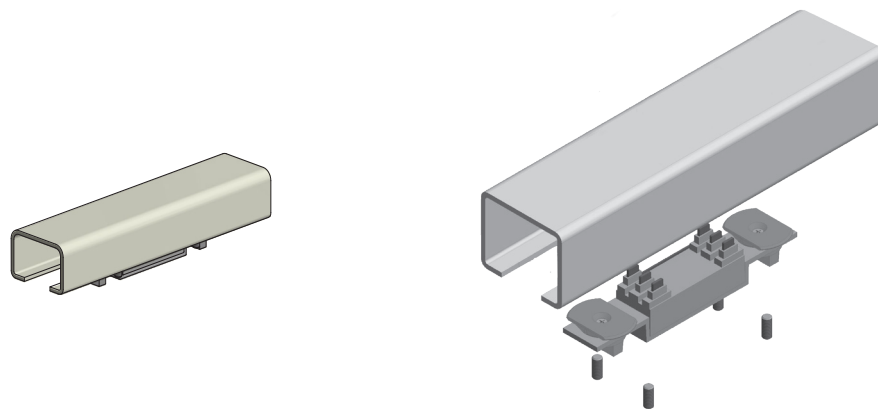
DOUBLE-DECK



busSTRUT : GALVANIZED
joiner : galvanized

JOINER

SINGLE-DECK

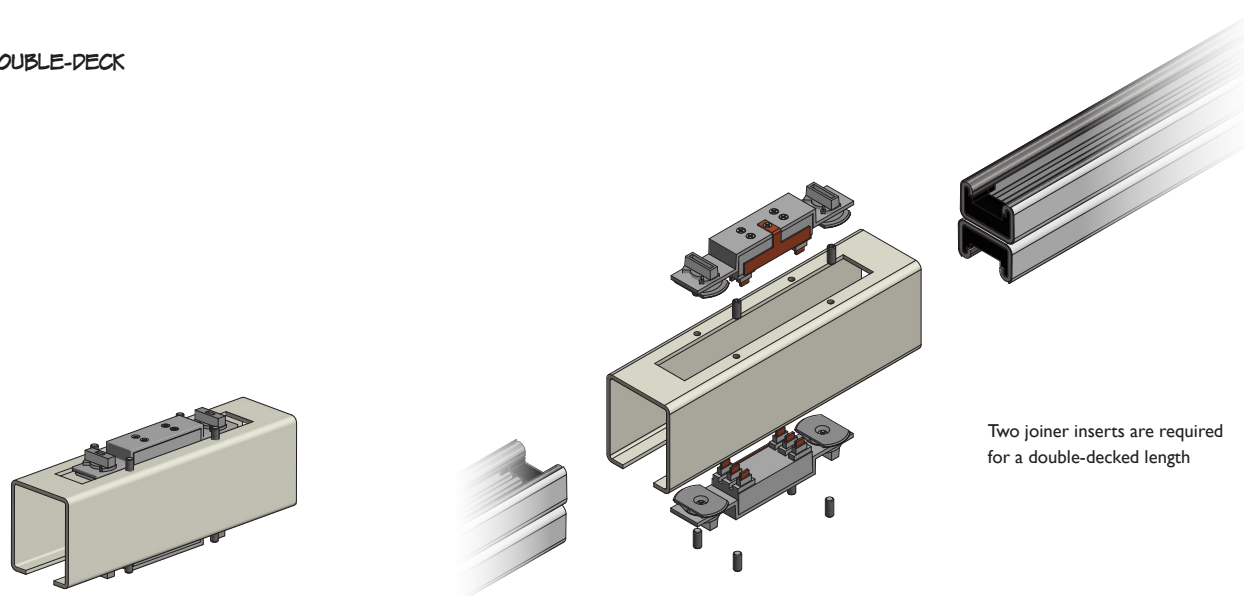


JOINER INSERT

The joiner insert is for use with any busSTRUT joiner to make the electrical connection and continue the flow of power through two abutting busSTRUT lengths.

M-JI-B-X

DOUBLE-DECK



Two joiner inserts are required for a double-decked length

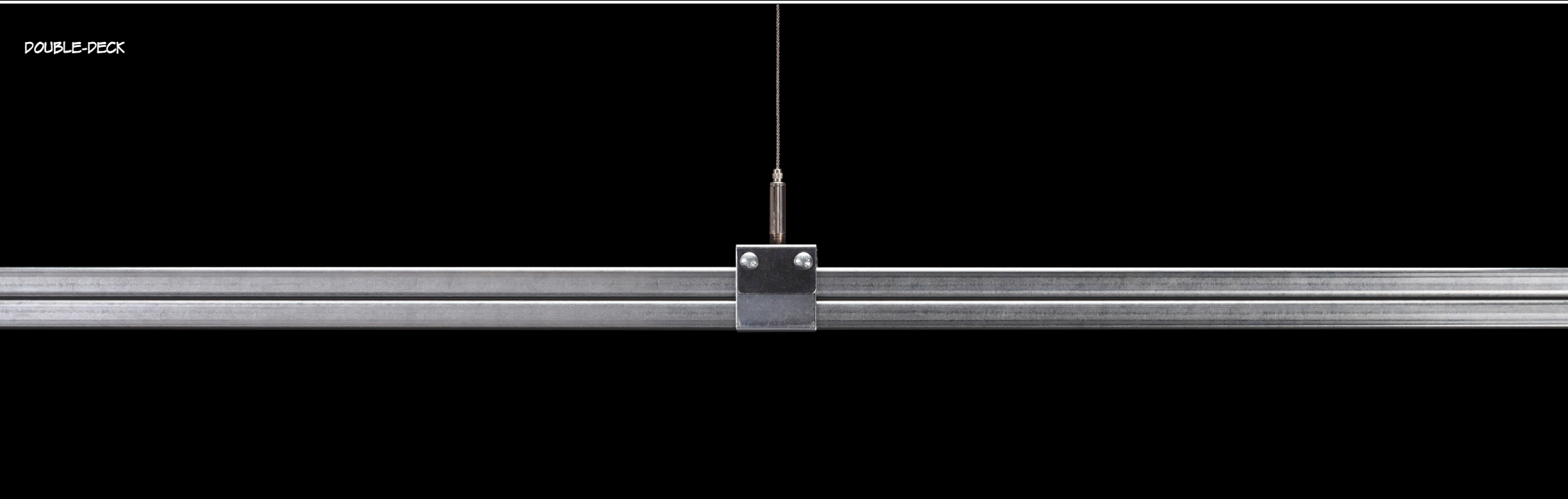
busSTRUT

SINGLE-DECK



busSTRUT : GALVANIZED
hanger : galvanized

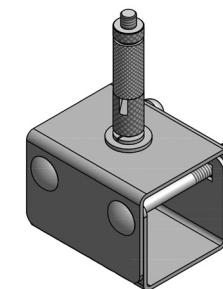
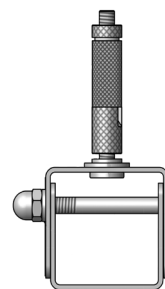
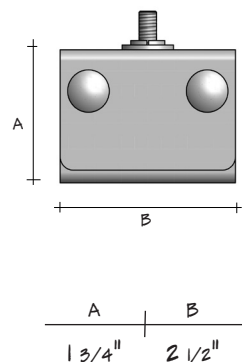
DOUBLE-DECK



busSTRUT : GALVANIZED
hanger : galvanized

HANGER / CABLE GLIDE

SINGLE-DECK



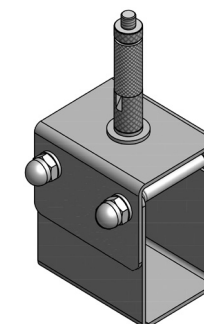
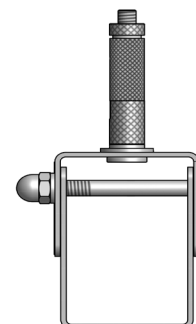
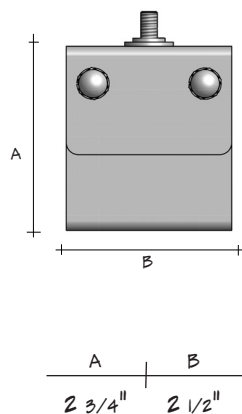
busSTRUT (single-deck)

| Product | Length | Catalog Number |
|-------------|--------|----------------|
| Hanger | Single | HM-S-(F)-ST-H |
| Cable Glide | 15' | CG-15 |
| | Custom | CG-XX |

Finish - G=Galvanized W=White B=Black

Single-Deck Hangers are for use with all busSTRUT lengths. Each hanger is a pre-assembled two part unit. The upper half includes a threaded stud for cable glide attachment. 1/4"-20 bolts slide through to secure, align, and lock both halves of the assembly. Cables are attached to the hanger by sliding through the glide. 1/4"-20 eye bolt is for use with beam clamps (by others) and comes pre-installed to the cable.

DOUBLE-DECK



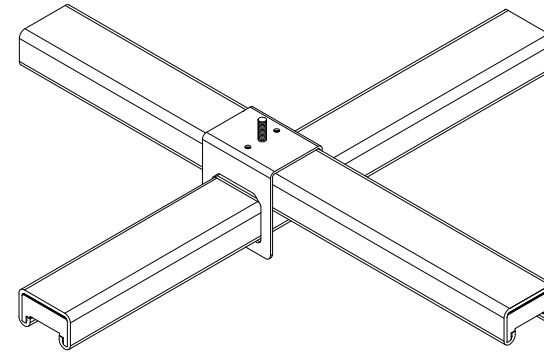
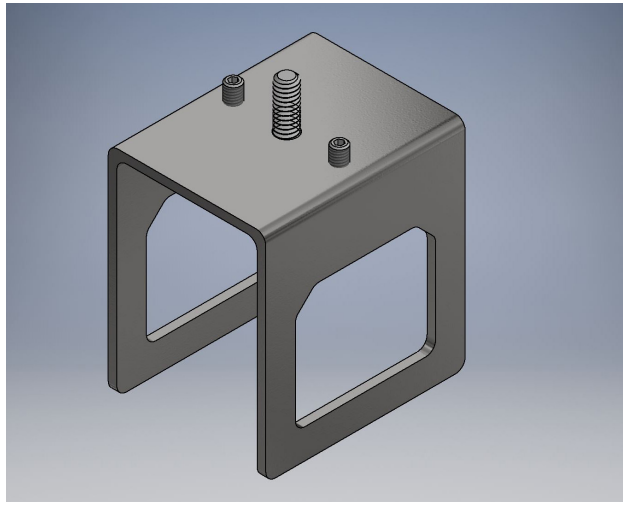
busSTRUT (double-deck)

| Product | Length | Catalog Number |
|-------------|--------|----------------|
| Hanger | Double | HD-S-(F) |
| Cable Glide | 15' | CG-15 |
| | Custom | CG-XX |

Finish - G=Galvanized W=White B=Black

Double-Deck Hangers are for use with all busSTRUT lengths. Each hanger is a pre-assembled two part unit. The upper half includes a threaded stud for cable glide attachment. 1/4"-20 bolts slide through to secure, align, and lock both halves of the assembly. Cables are attached to the hanger by sliding through the glide. 1/4"-20 eye bolt is for use with beam clamps (by others) and comes pre-installed to the cable.

SINGLE HEIGHT CROSSOVER
for use as L, T, X

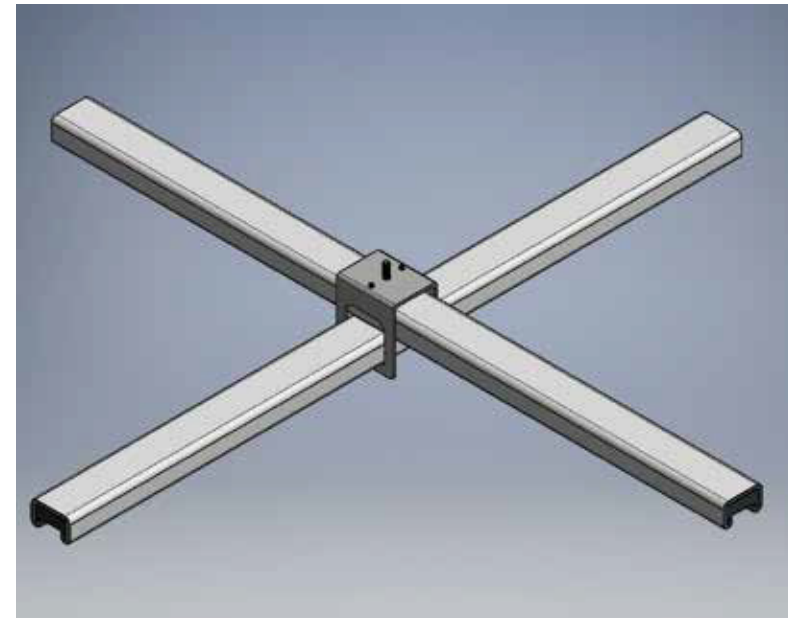
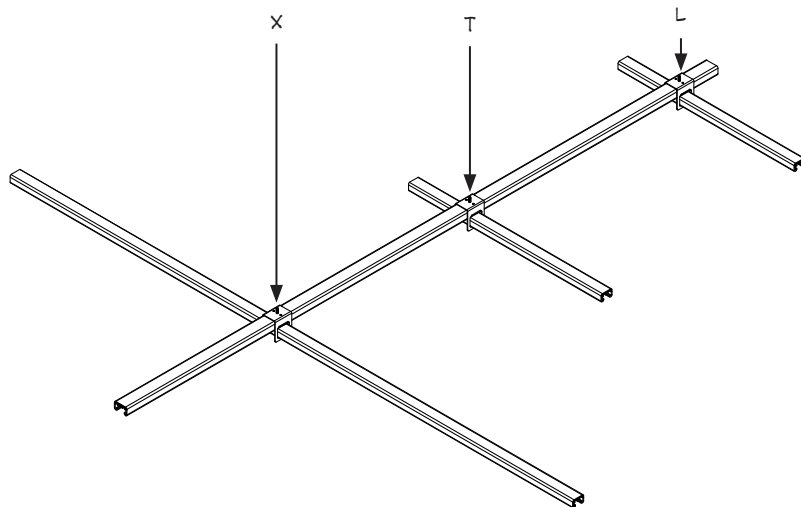


busSTRUT (double-deck)

| Product | Length | Catalog Number |
|---------|--------|----------------|
| I/1 | Single | ICM-S-(B)-ST-X |

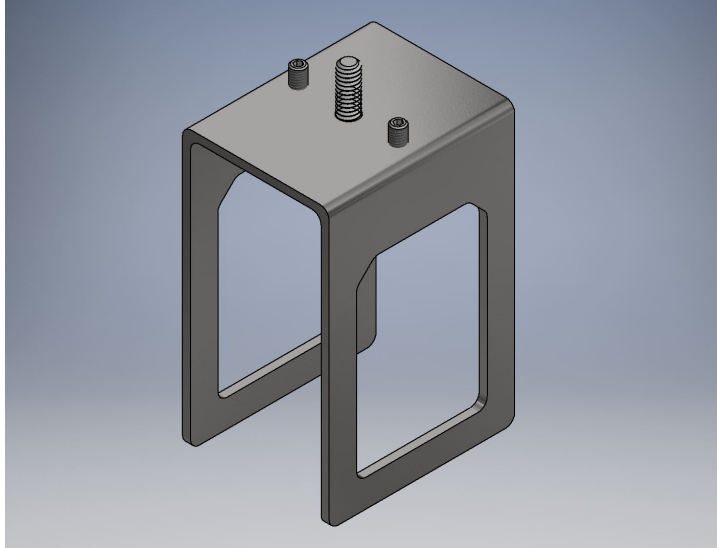
Finish - G=Galvanized W=White B=Black

ONE over ONE crossovers are for use with two busSTRUT lengths. Each crossover is a single unit for building L, T, X crossover grid configurations. The slimline crossover locks both busSTRUT lengths with set screws.

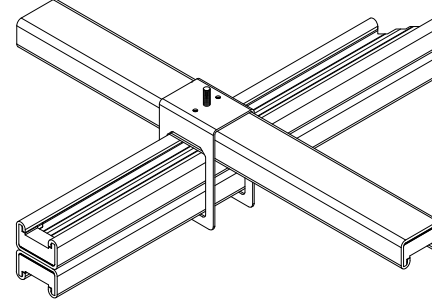


Crossovers provide the mechanical connection for building runs, rows, and grids. One universal crossover serves as an X, T, or an L intercept. The ONE over ONE crossover is used when one single-deck length of busSTRUT intersects another single-deck length of busSTRUT.

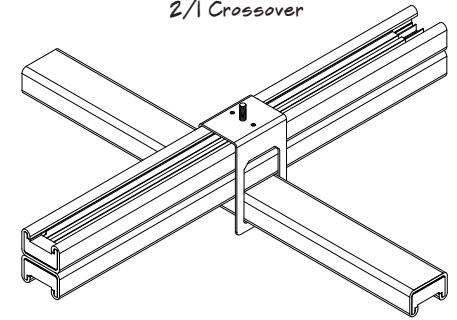
DOUBLE HEIGHT CROSSOVER
for use as L, T, X



1/2 Crossover



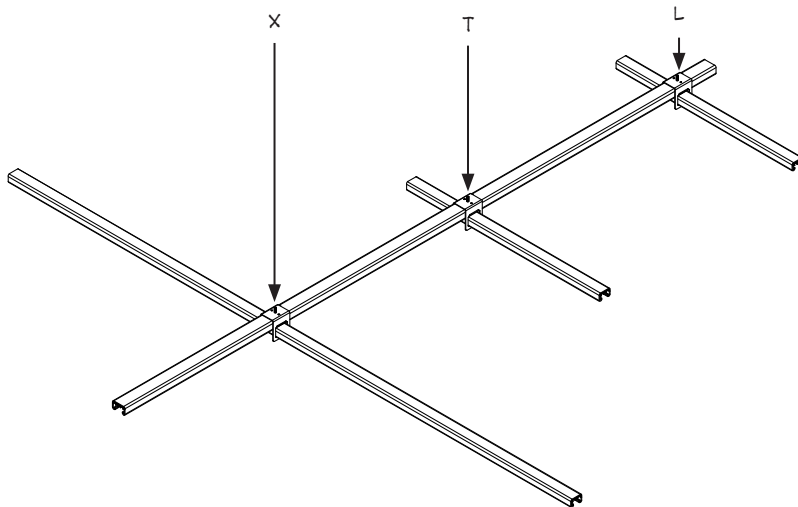
2/1 Crossover



| busSTRUT (double-deck) | | |
|------------------------|---------------|----------------|
| Product | Length | Catalog Number |
| 1/2 - 2/1 | Double Single | ICD-S-(B)-ST-X |

Finish - G=Galvanized W=White B=Black

ONE over TWO and **TWO over ONE** crossovers are for use with three busSTRUT lengths. Each crossover is a single unit for building L, T, X crossover grid configurations. The slimline crossover locks both busSTRUT lengths with set screws.



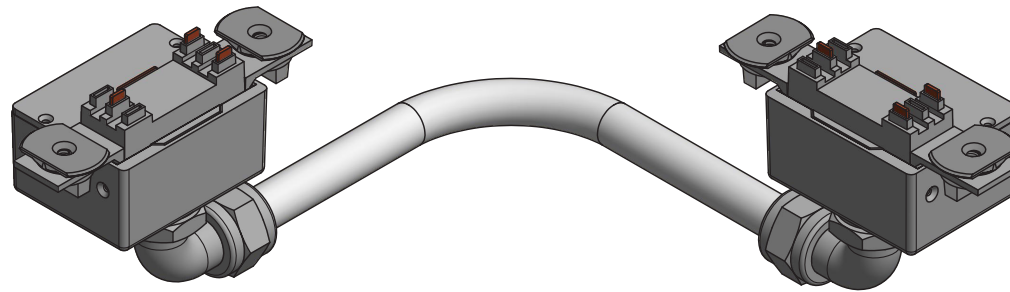
Crossovers provide the mechanical connection for building runs, rows, and grids. One universal crossover serves as an X, T, or an L intercept. The ONE over TWO and TWO over ONE crossovers are used when one double-deck length of busSTRUT intersects a single-deck length of busSTRUT, or vice versa.

UNIVERSAL JUMPER (40/20A)

| Product | Amperage | Voltage | Length | Catalog Number |
|---------|----------|----------------------|--------|----------------------------|
| JUMPER | 40/20 | UNIVERSAL 120/277 | 12" | MD4020-UNIV-JC-(F)-00-12-X |

Finish (F): G=Grey B=Black W=White

UNIVERSAL Jumpers are for use with both busSTRUT/20 and busSTRUT/40. The Jumper connects power to intersecting lengths of busSTRUT. Jumpers are fused on both leads. As a result, can connect 40A lengths to 20A lengths.

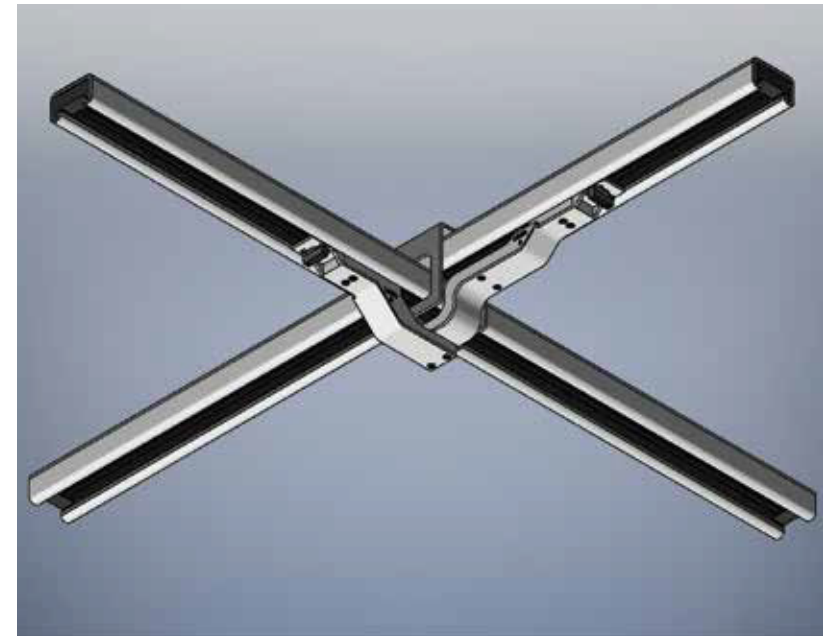
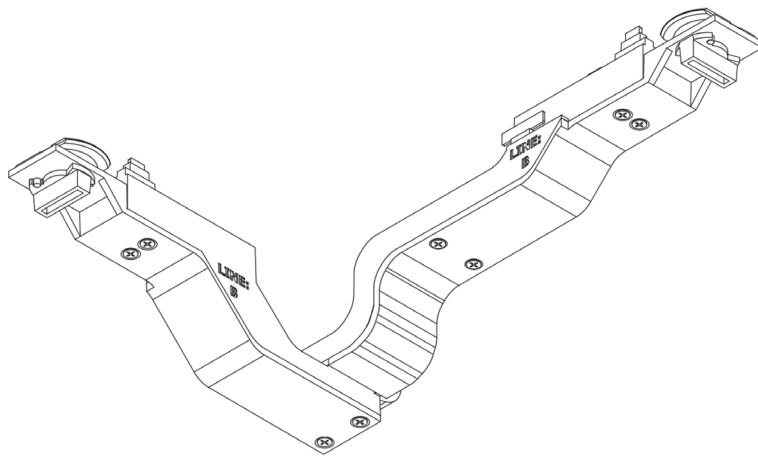


Jumpers provide a three pole electrical connection for building X,T,L configurations. One Jumper powers intersecting lengths of busSTRUT.

| SLIMLINE JUMPER (20A) | | | |
|-----------------------|----------|---------|--------------------|
| Product | Amperage | Voltage | Catalog Number |
| JUMPER | 20 | 120 | MD2020-UNIV-IJ-W-X |

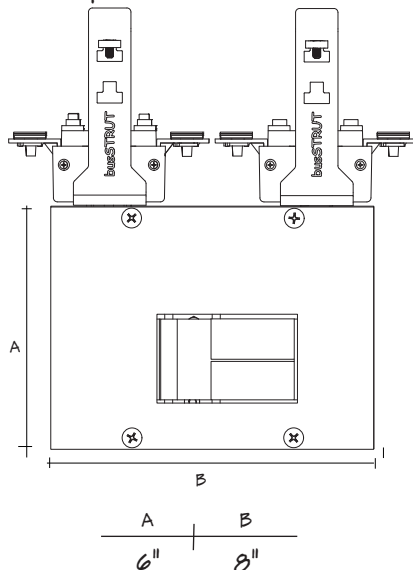
Finish (F): B=Black

The Slim Line Jumpers are for use with busSTRUT/20 . The Jumper connects power to intersecting lengths of busSTRUT.



Jumpers provide a three pole electrical connection for building X,T,L configurations. One Jumper powers intersecting lengths of busSTRUT.

CUBE FUSES
 (2P) two circuits
 up to 20 Amps (20A x 2 = 40A)

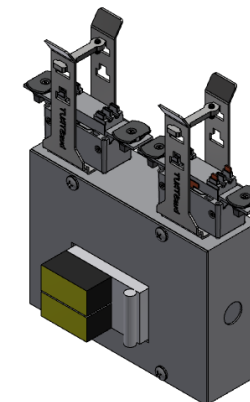


| busSTRUT (single and double-deck) | | | |
|-----------------------------------|-------------------|--------|---------------------------|
| Product | Voltage | Amp | Catalog Number |
| LINE-FEED (FUSED) | UNIVERSAL 120/277 | Custom | P20-3-40-UNIV-TCF-(F)-(C) |

Finish - G=Galvanized W=White B=Black
 Option Code - Custom Amperages Available

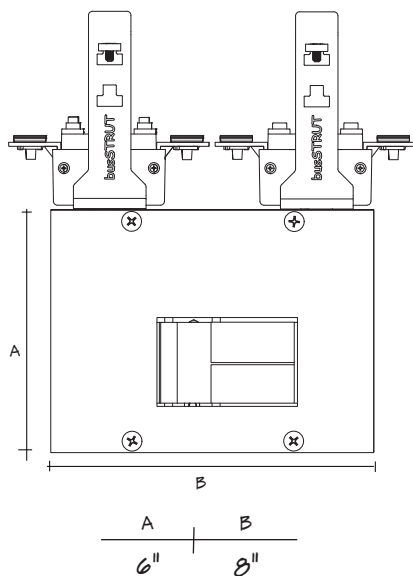
Indicating CUBEFuse

| | |
|-----------|-------|
| TCF6 | TCF20 |
| TCF10 | TCF30 |
| TCF15 | TCF35 |
| TCF17-1/2 | TCF40 |



CUBEFused line-feed (up to 20 Amps) can be positioned anywhere on busSTRUT to reduce the length of homeruns. Features a 3 Pole Fiter that powers up to two 20A circuits; 40A max. Available in galvanized, powder coated white and black. Universal 120/277V. Mounts to both single and double-deck busSTRUT/20. Factory installed Fuse Holders.

CUBE FUSES
 (2P) two circuits
 up to 40 Amps (40A x 2 = 80A)

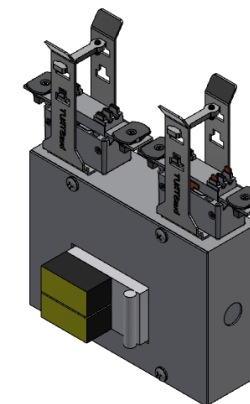


| busSTRUT (single and double-deck) | | | |
|-----------------------------------|-------------------|--------|---------------------------|
| Product | Voltage | Amp | Catalog Number |
| LINE-FEED (FUSED) | UNIVERSAL 120/277 | Custom | P40-3-80-UNIV-TCF-(F)-(C) |

Finish - G=Galvanized W=White B=Black
 Option Code - Custom Amperages Available

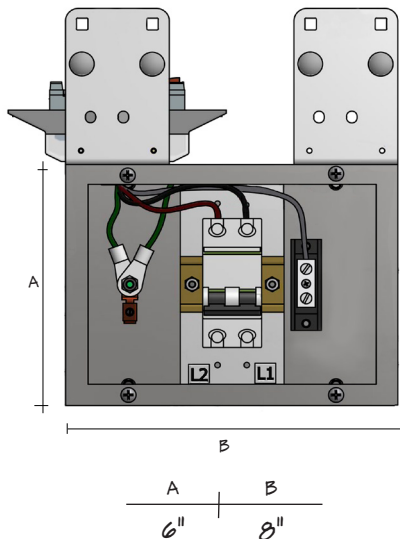
Indicating CUBEFuse

| | |
|-----------|-------|
| TCF6 | TCF20 |
| TCF10 | TCF30 |
| TCF15 | TCF35 |
| TCF17-1/2 | TCF40 |



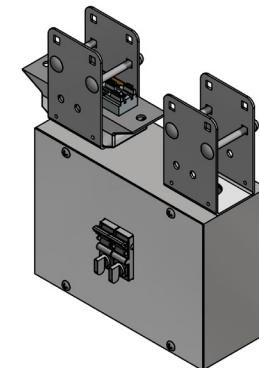
CUBEFused line-feed (up to 40 Amps) can be positioned anywhere on busSTRUT to reduce the length of homeruns. Features a pair of 3 Pole Fitters that power up to two 40A circuits; 80A max. Available in galvanized, powder coated white and black. Universal 120/277V. Mounts to both single and double-deck busSTRUT/40. Factory installed Fuse Holders.

BREAKERS
(2P) two circuits
up to 20 Amps (20A x 2 = 40A)



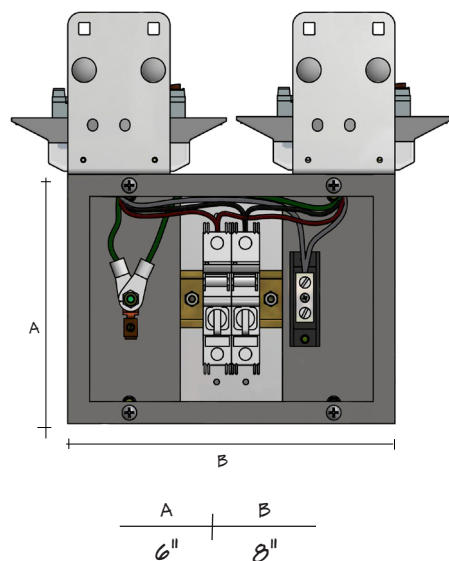
| busSTRUT (single and double-deck) | | | |
|-----------------------------------|-----------|--------|------------------------|
| Product | Voltage | Amp | Catalog Number |
| LINE-FEED (BREAKERS) | UNIVERSAL | 20 | P20-3-40-UNIV-CB20-(F) |
| | 120/277 | Custom | P20-3-40-UNIV-CBXX-(F) |

Finish - G=Galvanized W=White B=Black
Custom Amperages Available



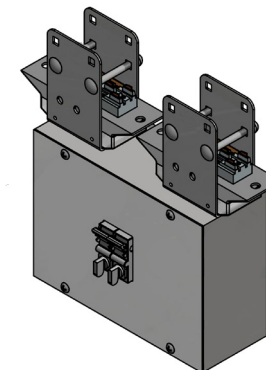
Breakered line-feed (up to 20 Amps) can be positioned anywhere on busSTRUT to reduce the length of homeruns. Features a 3 Pole Filter that powers up to two 20A circuits; 40A max. Available in galvanized, powder coated white and black. Universal 120/277V. Mounts to both single and double-deck busSTRUT/20. Factory installed Circuit Breakers.

BREAKERS
(2P) two circuits
up to 40 Amps (40A x 2 = 80A)

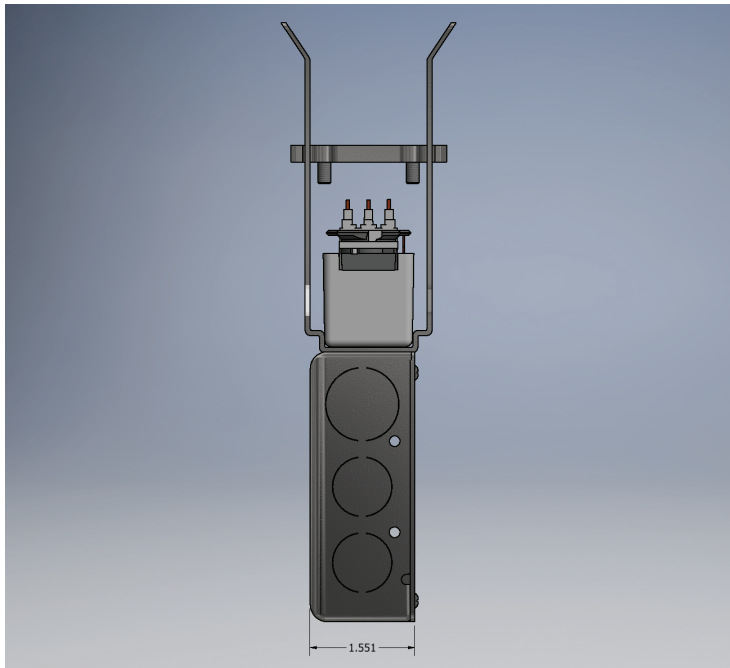
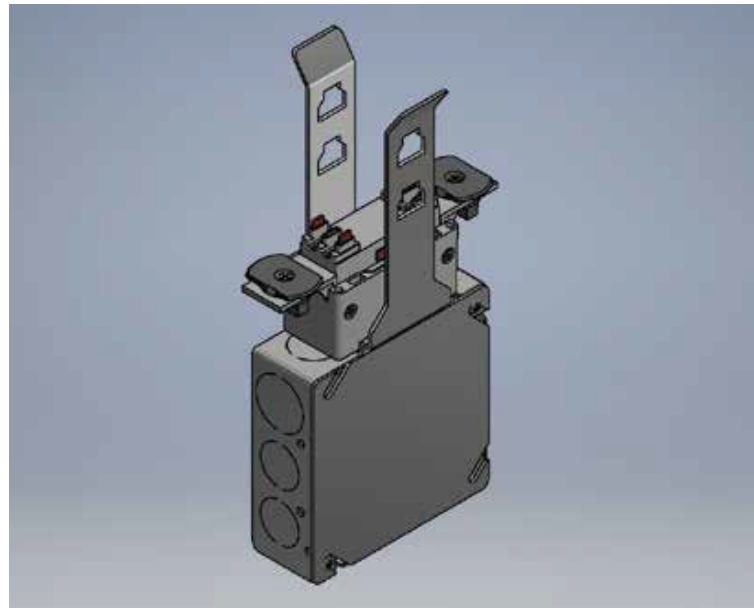
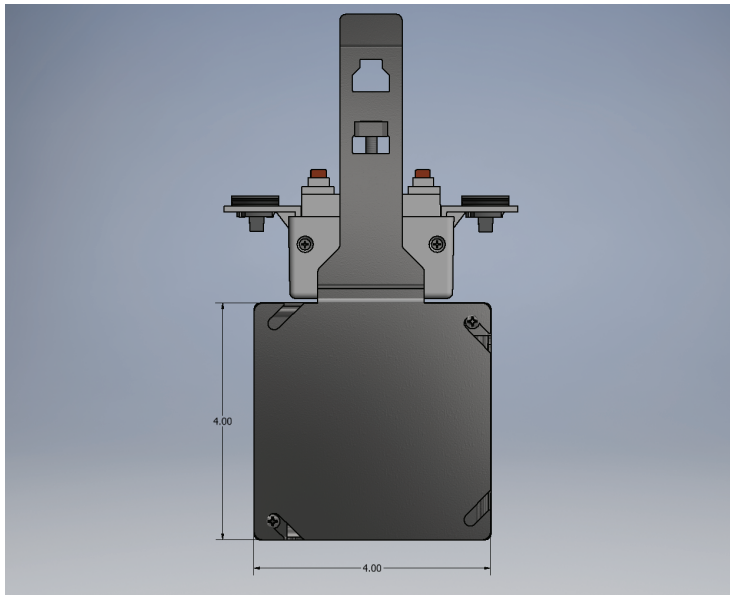


| busSTRUT (single and double-deck) | | | |
|-----------------------------------|-----------|--------|------------------------|
| Product | Voltage | Amp | Catalog Number |
| LINE-FEED (BREAKERS) | UNIVERSAL | 40 | P40-3-80-UNIV-CB40-(F) |
| | 120/277 | Custom | P40-3-80-UNIV-CBXX-(F) |

Finish - G=Galvanized W=White B=Black
Custom Amperages Available



Breakered line-feed (up to 40 Amps) can be positioned anywhere on busSTRUT to reduce the length of homeruns. Features two 3 Pole Filters that power up to two 40A circuits; 80A max. Available in galvanized, powder coated white and black. Universal 120/277V. Mounts to both single and double-deck busSTRUT/40. Factory installed Circuit Breakers.



JUNCTION BOX

| Product | Amperage | Voltage | Mnt Kit (MK) | Finish (F) | Catalog Number |
|---------|----------|---------|--------------------------------------|--------------------------------------|---------------------------|
| P20 | 20 | 120 | G=Galvanized B = Black W-White | G=Galvanized B = Black W-White | P20-3-40-UNIV-JK-(MK)-(F) |

-Junction Boxes are for use with busSTRUT/20; single and double-deck,
 -Available in powder coated grey, white and black

PRODUCT DATA

busSTRUT READY LIGHTS



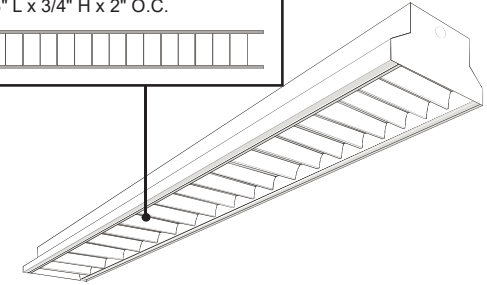
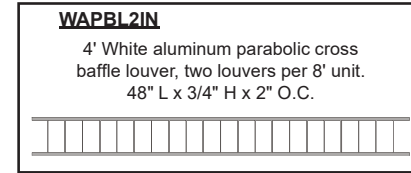
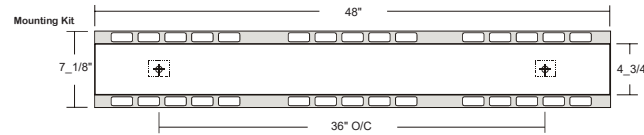
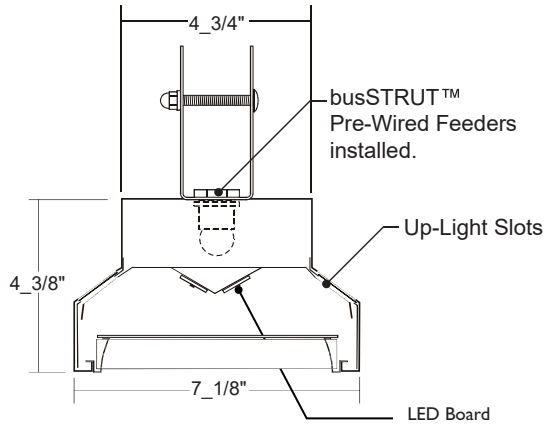
busSTRUT : GALVANIZED
fixture : grey

BW DOWNLIGHT
'UNIBODY' STEEL with Parabolic Louver

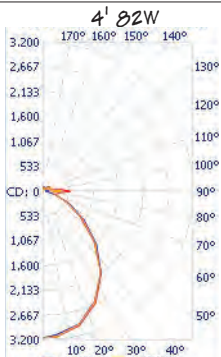
LED DOWNLIGHT
BATWING DISTRIBUTION

| TYPE | Fixture | | | | | Boards | | | | CRI | Kelvin (K) | Finishes (F) | Louver Color (LC) | Mnt Kit Color (MK) | Fitter Options (FT) | Diffuser (D) | Option Codes | Catalog Number | |
|---|----------|------|--------|--------|-------|--------|------|-----|--------|-------|------------|--|---------------------------------------|---------------------------------------|---------------------------------------|----------------------------|------------------|-------------------|-----------------------------------|
| | busSTRUT | Type | Length | Lumens | Watts | lm/w | Type | No. | Lumens | | | | | | | | | | Watts |
| LED BWseries WIDE-SPREAD DOWNLIGHT Lens & Louver | BR | LED | 4' | 7800 | 82.4 | 94.7 | LED | 4 | 10K | 82.4 | 80 | L1 = 2700 K L2 = 3000 K L3 = 3500 K L4 = 4000 K | WT = White BL = Black GR = Grey | WT = White BL = Black GV = Galv | WT = White BL = Black GV = Galv | 2P = 2 Pole 3P = 3 Pole | LL = Lens/Louver | U = Uplight Slots | BR-LED4-10K-BW-L2-WT-GV-2P-LL-U-2 |
| | | | 8' | 15600 | 164.8 | 94.6 | | 8 | 20K | 164.8 | | | | | | | | | BR-LED8-20K-BW-L2-WT-GV-2P-LL-U |

HIGH OUTPUT LED



CANDLEPOWER:



| Zone | Lumens | % |
|--------------|---------------|-------------|
| 0-10 | 3001 | 3.8 |
| 10-20 | 8433 | 10.8 |
| 20-30 | 12149 | 15.6 |
| 30-40 | 13482 | 17.3 |
| 40-50 | 12173 | 15.6 |
| 50-60 | 9103 | 11.7 |
| 60-70 | 5663 | 7.3 |
| 70-80 | 2777 | 3.6 |
| 80-90 | 2625 | 3.4 |
| Total | 6940.6 | 100% |

COEFFICIENTS of UTILIZATION - Zonal Cavity Method

| RF | Effective Floor Cavity Reflectance 0.20 | | | | | | | | | | |
|----|---|------|------|------|------|------|------|-----|-----|-----|-----|
| | 80 | | | | 70 | | | | 50 | | |
| RW | 70 | 50 | 30 | 0 | 70 | 50 | 30 | 0 | 50 | 30 | 20 |
| 0 | 1.02 | 1.02 | 1.02 | 1.02 | 1.00 | 1.00 | 1.00 | .86 | .95 | .95 | .95 |
| 1 | .95 | .91 | .88 | .85 | .93 | .89 | .87 | .75 | .86 | .84 | .81 |
| 2 | .87 | .81 | .75 | .71 | .85 | .79 | .74 | .65 | .76 | .72 | .69 |
| 3 | .80 | .71 | .65 | .60 | .78 | .70 | .64 | .56 | .68 | .63 | .58 |
| 4 | .73 | .64 | .56 | .51 | .71 | .62 | .56 | .48 | .60 | .55 | .50 |
| 5 | .67 | .57 | .50 | .44 | .66 | .56 | .49 | .42 | .54 | .48 | .43 |
| 6 | .62 | .51 | .44 | .39 | .61 | .50 | .43 | .37 | .49 | .43 | .38 |
| 7 | .58 | .46 | .39 | .34 | .56 | .46 | .39 | .33 | .44 | .38 | .34 |
| 8 | .54 | .42 | .35 | .30 | .52 | .42 | .35 | .30 | .41 | .34 | .30 |
| 9 | .50 | .39 | .32 | .27 | .49 | .38 | .32 | .27 | .37 | .31 | .27 |
| 10 | .47 | .36 | .29 | .25 | .46 | .35 | .29 | .24 | .34 | .28 | .24 |

Type:

- 4 board 4', or 8 board 8', LED downlight with white aluminum reflector, white aluminum parabolic cross baffle louver with 0.080 flat frosted acrylic lens overlay, and 2" o.c. louver spacing.

Construction:

-20ga. cold rolled steel welded housing

Finish:

-Baked Powder coated finish, paint after fabrication.

Colors:

-Three standard colors
 WT - Sky white (DuPont® PFW665S9)
 BL - Matte black (DuPont® UFB634S2)
 GR - Camaro silver (DuPont® UFA402M9)

Reflector:

-Enhanced white aluminum reflector(s)
 -90% reflectance

Louver:

-4' white aluminum parabolic cross baffle louver with 0.080 flat frosted acrylic lens overlay, and 2" o.c. louver spacing.
 -Two louvers per 8' unit

Driver:

-High Efficiency Drivers coupled with long-life LEDs

Lamp:

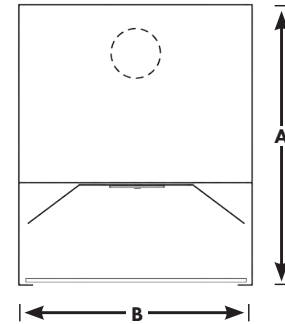
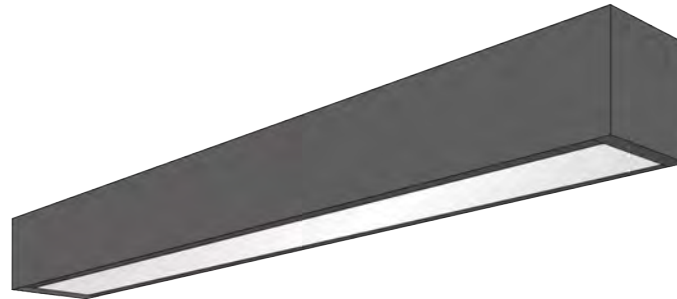
-560MM 48 LED linear module

Options:

BPL - Emergency Battery Pack, operates 10Watt LED load @ 18-48VDC for 90 minutes

FEATURES

- High efficiency driver coupled with long-life LEDs, service life greater than 50,000 hours (L70)
- In-directly suspended from cable/powered from busSTRUT whip cord

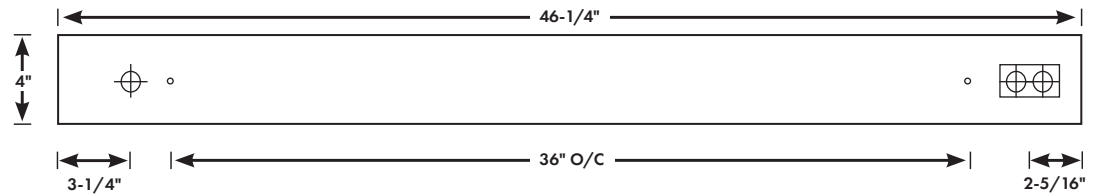


| | |
|---|----|
| A | 4" |
| B | 4" |

BACK PLATE

⊕ 0.875" Dia. K.O. for busSTRUT™ 30" Whip

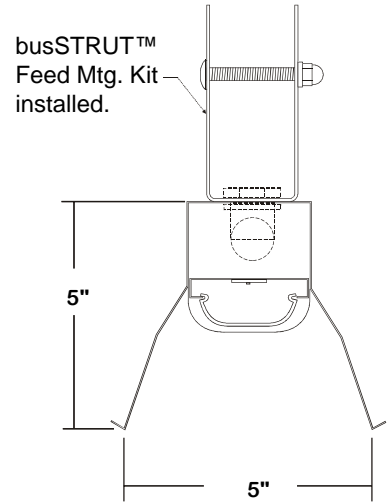
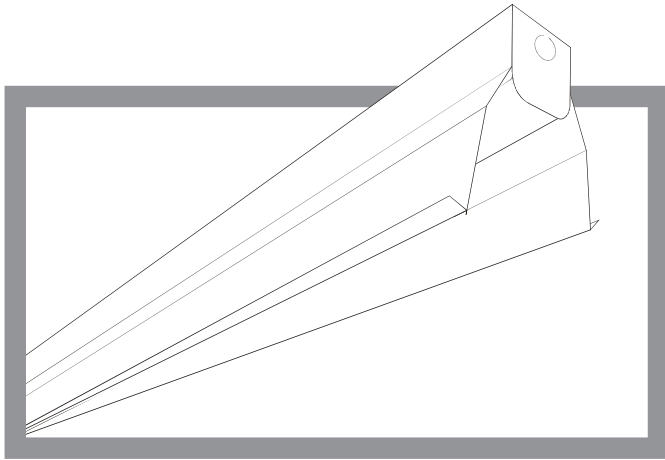
○ 1/4 Dia. Hole for mounting



| busSTRUT | TYPE | SIZE/LENGTH | LUMENS | CCT/CRI | DELIVERED LUMENS | SYSTEM WATTS | LUMINAIRE EFFICACY | FINISH | CATALOG NUMBER |
|----------|-------------|-------------|--------|-----------|------------------|--------------|--------------------|-----------|---------------------------|
| BR | STANDARD | 4' | 3,000 | 3,000/80+ | 2,000 | 20.4 | 98 LPW | Black (B) | BRL-4-20L-30K80-NT-24WP-B |
| | HIGH OUTPUT | | 6,000 | | 4,000 | 40.8 | 99.6 LPW | | BRL-4-40L-30K80-NT-24WP-B |

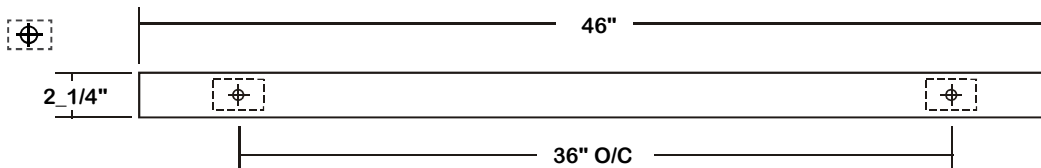
CUSTOMER SUBMITTAL SHEET

| | | |
|-----------------------|---|-------------|
| ITEM # LCD1604 | DESCRIPTION 4' LED General Light | DATE |
| JOB NAME | DESIGNED FOR | APPROVED BY |



BACK PLATE

busSTRUT™ Feeders



1. TYPE : 4' LED General light.
2. CONSTRUCTION : 22 Ga. cold rolled steel welded housing.
3. FINISH : Baked powder coated finish, paint after fabrication.
MW - Matte white
4. OPTICAL : **FRA** - Frosted acrylic lens.
5. LUMEN PACKAGE : **9** - Nominal 9000 lumens LED system.
6. VOLTAGE : **UNV** - Universal voltage 120v thru 277v.
7. CRI/CCT : **830** - 80+ CRI, 3000K color temperature.
8. LED SYSTEM : High efficiency driver coupled with long-life LEDs, service life greater than 50,000 hours (L70).

| Lumen Package | Lens | CRI / CCT | Delivered Lumens | System Watts | Luminaire Efficacy |
|---------------|------|-----------|------------------|--------------|--------------------|
| 9000 | FRA | 830 | 6703 LM | 56.4 W | 118.9 LPW |

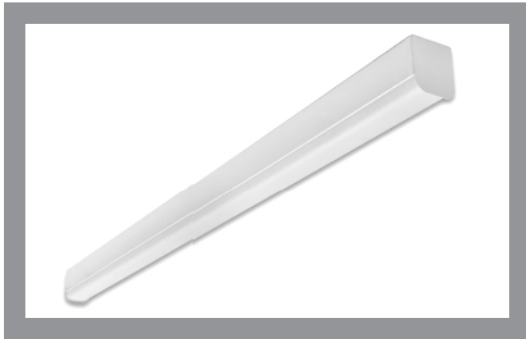
Note: System data above are based on 120V input voltage.

9. FEEDER : **DFW(1CIR)** - Double-height feeder, one set of white busSTRUT™ one circuit pre-wired fitters installed, mounting kit supplied by customer. (#LF20-2-20-UNIV-WD-W)
10. LABEL : UL listed. Suitable for damp locations.
11. CATALOG NUMBER :
LCD1604-9-4L-MW-FRA-DFW(1CIR)-1DRDM-UNV-1/830

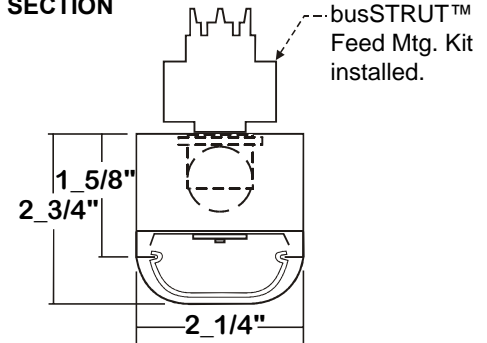
CUSTOMER SUBMITTAL SHEET

| | | |
|------------------------------|--|-------------|
| ITEM # LCD1500 | DESCRIPTION LED Channel with Rounded Lens | DATE |
|------------------------------|--|-------------|

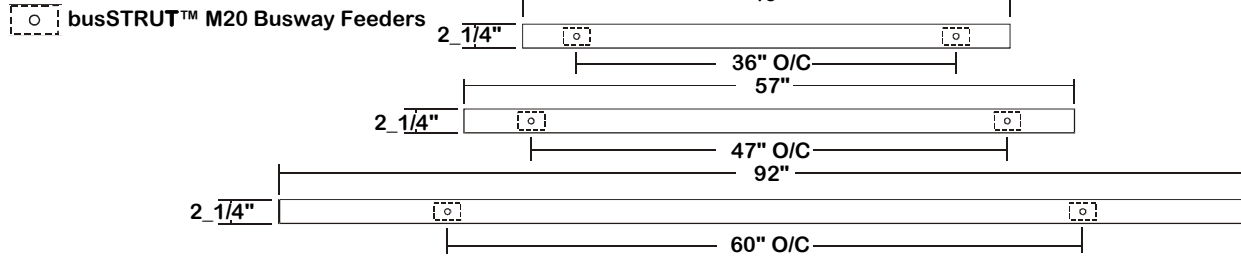
| | | |
|-----------------|--------------------------|--------------------|
| JOB NAME | DESIGNED FOR * | APPROVED BY |
|-----------------|--------------------------|--------------------|



CROSS SECTION



BACKPLATE



1. TYPE : LED strip with diffuser.
2. CONSTRUCTION : 22 Ga. cold rolled steel welded housing.
3. FINISH : Baked powder coated finish, painted after fabrication.
W - Sky white (DuPont® PFW665S9)
G - Camaro silver (DuPont® UFA402M9)
B - Matte black (DuPont® UFB634S2)
4. OPTICAL : **FRWA** - Frosted white acrylic lens.
5. LUMEN PACKAGE : **2K** - Nominal 2000 lumens LED system.
3K - Nominal 3000 lumens LED system.
4K - Nominal 4000 lumens LED system.
6K - Nominal 6000 lumens LED system.
6. VOLTAGE : **UNV** - Universal voltage 120v thru 277v.
7. CRI/CCT : **835** - 80+ CRI, 3500k color temperature.
930 - 90+ CRI, 3000k color temperature.
8. LED SYSTEM : High efficiency driver coupled with long-life LEDs, service life greater than 50,000 hours (L70).

| Fixture Length | Lumen Package | CRI / CCT | Delivered Lumens | System Watts | Luminaire Efficacy |
|----------------|---------------|-----------|------------------|--------------|--------------------|
| 4' | 2K | 835 | 1760.8 LM | 15.76 W | 111.69 LPW |
| 4' | 3K | 835 | 2581.7 LM | 24.35 W | 106.01 LPW |
| 5' | 2K | 930 | 1712.3 LM | 18.59 W | 92.12 LPW |
| 8' | 4K | 835 | 3239.6 LM | 28.71 W | 112.86 LPW |
| 8' | 6K | 835 | 4895.3 LM | 45.76 W | 106.97 LPW |

Note: System data above are based on 120V input voltage.

9. WIRING : One set of busSTRUT™ M20 busway feeders installed
 (LT20-2-20-UNIV-TK-H & LT20-2-20-UNIV-TKN-H)

10. CATALOG NUMBER :

- LCD1500-2-4L-(COLOR)-FRWA-1DRDM-UNV-1/835**
- LCD1500-3-4L-(COLOR)-FRWA-1DRDM-UNV-1/835**
- LCD1500-2-5L-(COLOR)-FRWA-1DRDM-UNV-1/930**
- LCD1500-4-8L-(COLOR)-FRWA-1DRDM-UNV-1/835**
- LCD1500-6-8L-(COLOR)-FRWA-1DRDM-UNV-1/835**

PRODUCT DATA

busSTRUT READY LINEAR WALLWASHs

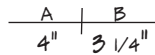
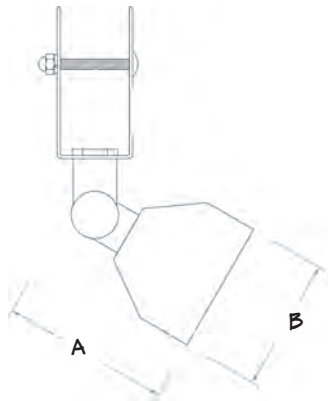


bvsSTRUT : GALVANIZED
fixture : silver

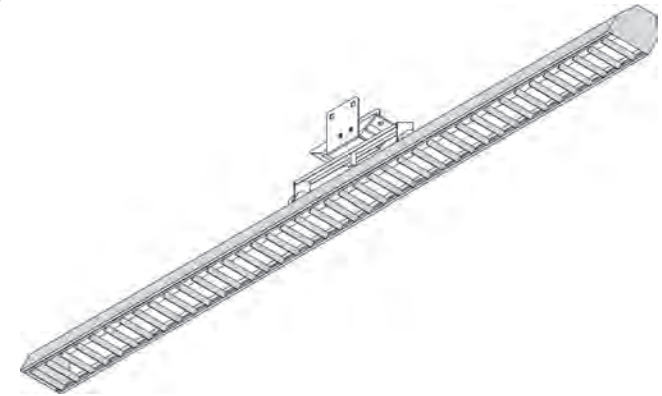
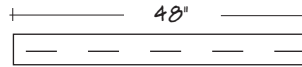
LW LED WALLWASH
'UNIBODY' with Louver Blades
LI Lumen Package

LED WALLWASH

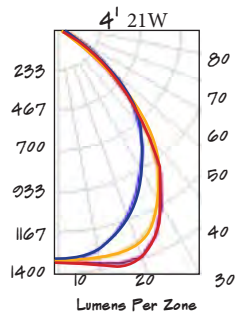
| TYPE | Fixture | | | | LED Board | | | | Ballasts | | Louver Color | Mnt Kit Color | Option Codes | Finishes | Catalog Number |
|--|----------|------|--------|------------------|-----------|-----|--------|-------|----------|----------------------|----------------------------------|----------------------------------|------------------|---|---------------------------------|
| | busSTRUT | Type | Length | Delivered Lumens | Type | No. | Lumens | Watts | No. | Voltage | (LC) | (MK) | (OC) | (F) | |
| LED LWseries LOUVER WALLWASH Adjustable | BR | LED | 4' | 2460 | LED | 1 | 2460 | 21 | 1 | Universal 120/277 | WT= White BL=Black GR=Grey | WT= White BL=Black GV=Galv | LI = 4000K/80CRI | WT = White BL = Black SV = Silver | BR-LED-2K-U-GR-GV-LI-(F) |



| Series Number | Lamps Qty | Lamps Type | Nominal Length |
|---------------|-----------|------------|----------------|
| LW | 1 | LED | 4' |



CANDLEPOWER:



| Zone | Lumens | % |
|--------------|-------------|-------------|
| 0-10 | 127.5 | 5.2 |
| 10-20 | 373.2 | 15.1 |
| 20-30 | 555.6 | 22.5 |
| 30-40 | 504.8 | 24.1 |
| 40-50 | 466.1 | 18.9 |
| 50-60 | 244.7 | 9.9 |
| 60-70 | 81.7 | 3.3 |
| 70-80 | 17.2 | 0.7 |
| 80-90 | 8.2 | 0.3 |
| Total | 2460 | 100% |

Type:

- Extruded power coated aluminum LED fixture incorporating an LED. Integral electronic driver provides efficient and quiet power.

-5/8" louver provides optimum performance and cut off of increased aesthetics and light control.

Features:

- Heavy duty extruded aluminum body with end caps
- Low profile, aesthetic design
- Integral 5/8" Louver
- High-strength stainless steel electric contacts

Finish:

-Powder coated finish

Colors:

- Three standard colors
 - WT - Sky white (DuPont® PFW665S9)
 - BL - Matte black (DuPont® UFB634S2)
 - SV - Camaro silver (DuPont® UFA402M9)

Reflector:

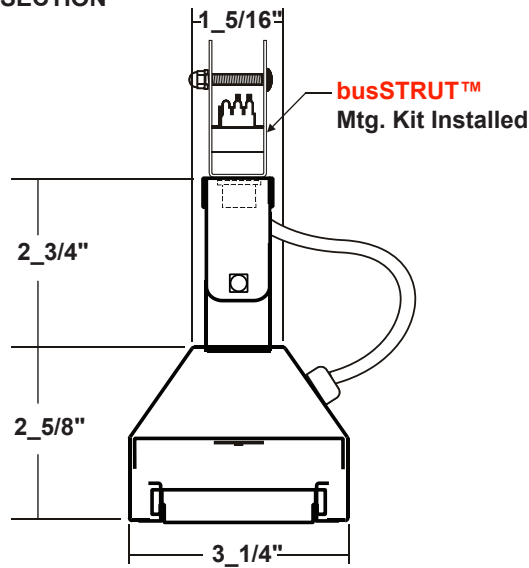
-0.020 aluminum polished to mirror quality clear specularly.

Driver:

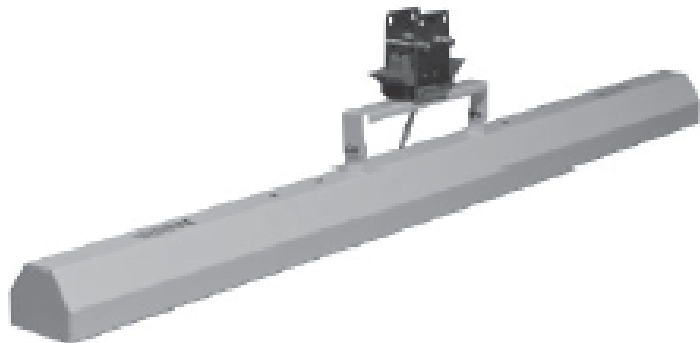
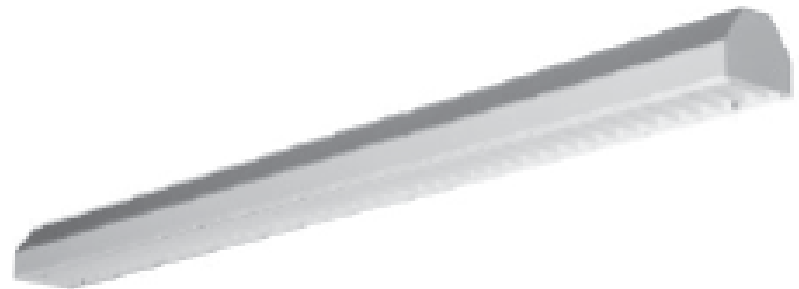
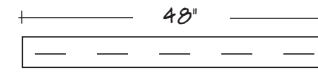
- 120V/277V 50/60 Hz input
- Class 2 power supply
- Over voltage, over current and short protection:Auto recovery
- MTBF > 100,000
- This product complies with IEEE C62.41 for surge endurance up to 2.5KV. Additional surge protection recommended.

| TYPE | Fixture | | | LED SYSTEM | | | | Ballasts | | Louver Color | Mnt Kit Color | Option Codes | Finishes | Catalog Number | |
|--|----------|------|--------|------------------|------|-----|--------|----------|-----|----------------------|---------------|--------------|--------------------------------|----------------|---|
| | busSTRUT | Type | Length | Delivered Lumens | Type | No. | Lumens | Watts | No. | Voltage | (LC) | (MK) | (OC) | (F) | |
| LED LWseries LOUVER WALLWASH Adjustable | BR | LED | 4' | 4533 | LED | 2 | 6000 | 52 | 1 | Universal 120/277 | WH = White | WH = White | L3 = 3000K or L4 = 4000K | WH = White | BR-LED4-4K-U-WH-WH-L3-WH or BR-LED4-4K-U-WH-WH-L4-WH |

CROSS SECTION



| Series Number | Lamps Qty | Lamps Type | Nominal Length |
|---------------|-----------|------------|----------------|
| LW | 1 | LED | 4' |



Type:

- Extruded powder coated aluminum LED track fixture incorporating a LED. Integral electronic driver provides efficient and quiet power.
- 5/8" louver provides optimum performance and cut off for increased aesthetics and light control.

Features:

- Heavy duty extruded aluminum body
- Low profile, aesthetic design
- Integral 5/8" Louver
- High-strength stainless steel electrical contacts

Finish:

- Powder coated finish

Reflector:

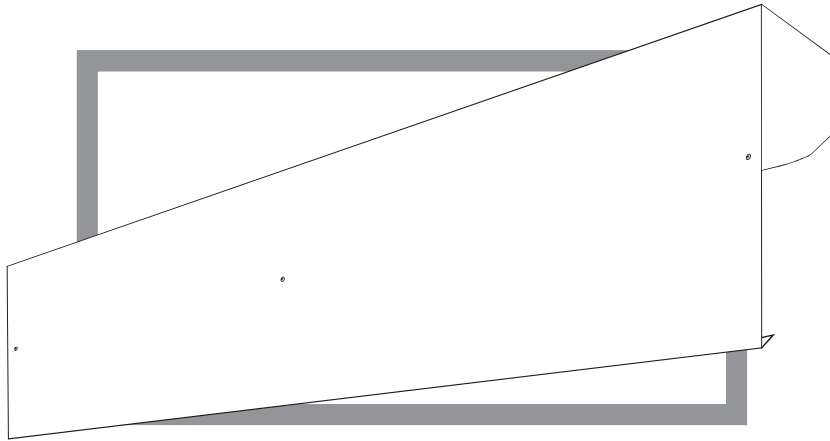
- 0.020 aluminum polished to mirror quality clear specularly.

Driver:

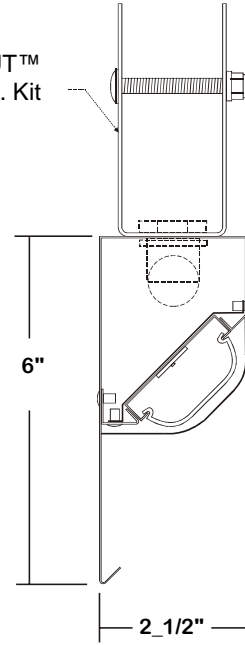
- 120V/277V 50/60 Hz input
- Class 2 power supply
- Over voltage, over current and short protection: Auto recovery
- MTBF > 100,000
- This product complies with IEEE C62.41 for surge endurance up to 2.5KV. Additional surge protection recommended.

CUSTOMER SUBMITTAL SHEET

| | | |
|-----------------------|-------------------------------------|-------------|
| ITEM # LCD1605 | DESCRIPTION 4' LED Wall Wash | DATE |
| JOB NAME | DESIGNED FOR | APPROVED BY |

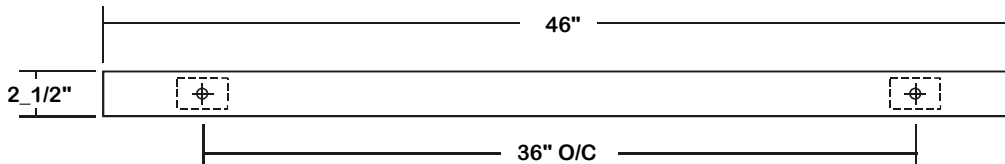


busSTRUT™
Feed Mtg. Kit
installed.



BACK PLATE

⊕ busSTRUT™ Feeders



1. TYPE : 4' LED Wall wash.
2. CONSTRUCTION : 22 Ga. cold rolled steel welded housing.
3. FINISH : Baked powder coated finish, paint after fabrication.
MB - Matte Black
4. OPTICAL : **FRA** - Frosted acrylic lens.
5. LUMEN PACKAGE : **6** - Nominal 6000 lumens LED system.
6. VOLTAGE : **UNV** - Universal voltage 120v thru 277v.
7. CRI/CCT : **830** - 80+ CRI, 3000K color temperature.
8. LED SYSTEM : High efficiency driver coupled with long-life LEDs, service life greater than 50,000 hours (L70).

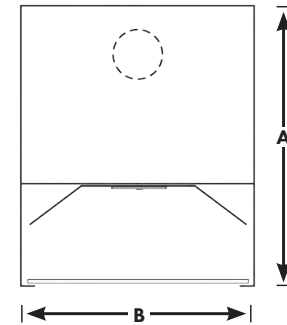
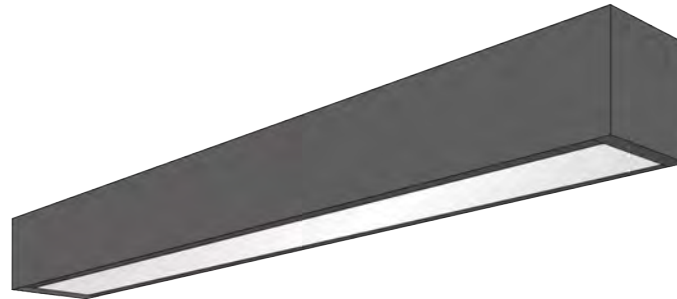
| Lumen Package | Lens | CRI / CCT | Delivered Lumens | System Watts | Luminaire Efficacy |
|---------------|------|-----------|------------------|--------------|--------------------|
| 6000 | FRA | 830 | 4682 LM | 51.7 W | 90.6 LPW |

Note: System data above are based on 120V input voltage.

9. FEEDER : **DFW(1CIR)** - Double-height feeder, one set of white busSTRUT™ one circuit pre-wired fitters installed (#LF20-2-20-UNIV-WD-W)
10. LABEL : UL listed.
11. CATALOG NUMBER :
LCD1605-6-4L-MB-FRA-DFW(1CIR)-1DRDM-UNV-1/830

FEATURES

- High efficiency driver coupled with long-life LEDs, service life greater than 50,000 hours (L70)
- In-directly suspended from cable/powered from busSTRUT whip cord
- Rectangle with Square Bottom

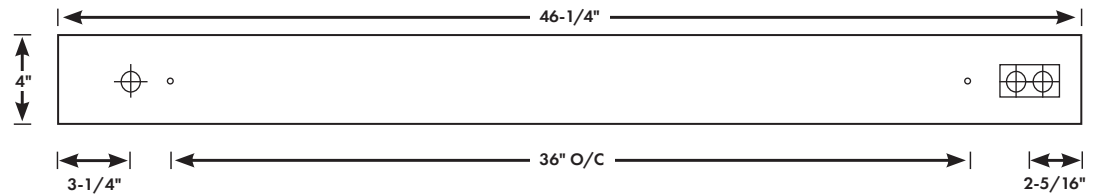


| | |
|---|----------|
| A | 4-13/16" |
| B | 4" |

BACK PLATE

⊕ 0.875" Dia. K.O. for busSTRUT™ 30" Whip

○ 1/4 Dia. Hole for mounting



| busSTRUT | TYPE | DISTANCE BELOW busSTRUT (XX=) | LUMENS | CCT/CRI | DELIVERED LUMENS | SYSTEM WATTS | LUMINAIRE EFFICACY | FINISH | CATALOG NUMBER |
|----------|-------------|-------------------------------|--------|-----------|------------------|--------------|--------------------|-----------|---------------------------|
| BR | HIGH OUTPUT | 12" | 6,000 | 3,000/80+ | 4,000 | 40.8 | 99.6 LPW | Black (B) | BRL-4-40L-30K80-NT-XXWP-B |
| | | 18" | | | | | | | |
| | | 24" | | | | | | | |

busSTRUT READY

busSTRUT specification sheet

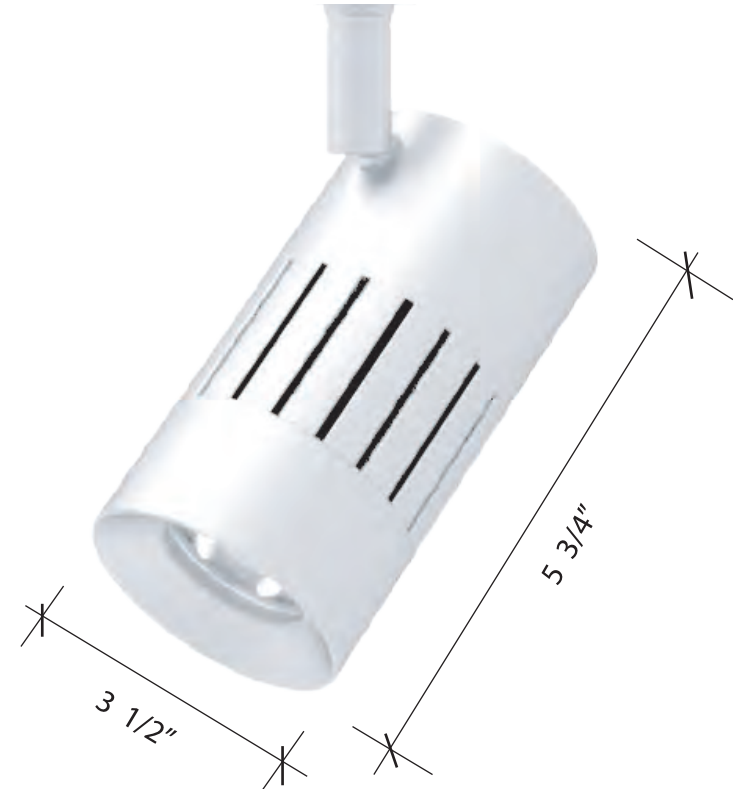
| High Output ARCHITECTURAL CYLINDER | Voltage | Type | CRI | Lumens | Watts | lm/w | Kelvin | Beam Angle | Finish | Catalog Number |
|---------------------------------------|---------|------|-----|--------|-------|------|---------|------------|--------|---------------------------|
| | 120V | LED | 90+ | 1200 | 14 | 86 | 3,000 K | 24° | Black | BRISS-10L-30K-24-B |

Description:

- Prewired with busSTRUT Ready adapter
- Forged aluminum heatsink housing provides light weight, durability, clean lines and optimal thermal dissipation.
- Pivot mount allow rotations up to 350° horizontally and 0-90° vertically for maximum aiming adjustability.
- Spring latch secures light fixture

busSTRUT is not responsible for changes in graphic materials.
We reserve the right to change details of design, materials, and finish.

busSTRUT
tel. 614 933 8695 www.busstrut.com



FEATURES

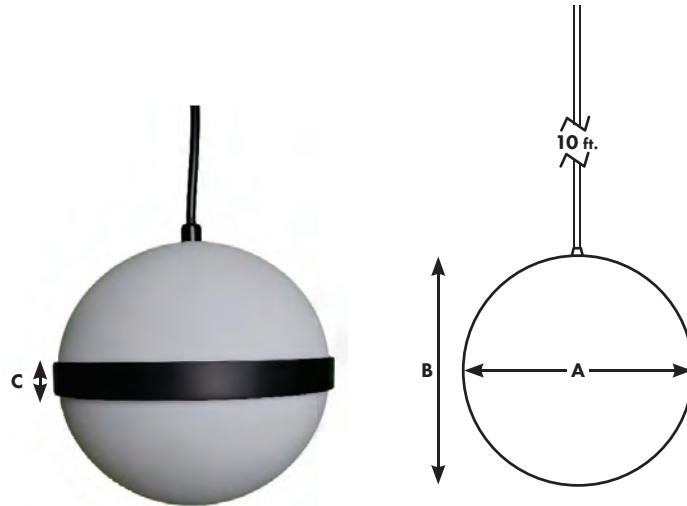
- Prewired with busSTRUT Ready Fitter
- Forged aluminum heatsink housing provides light weight, durability, clean lines and optimal thermal dissipation
- Pivot mount allow rotations up to 350° horizontally and 1-90 vertically for maximum aiming adjustability
- Spring latch secures light fixture



| busSTRUT | VOLTAGE | TYPE | CRI | DELIVERED LUMENS | WATTS | LM/W | KELVIN | BEAM ANGLE | FINISH = (F) | CATALOG NUMBER |
|----------|---------|------|-----|------------------|-------|------|--------|------------|--------------|---------------------------|
| BR | 120 V | LED | 90+ | 780 | 10 | 78 | 3,000K | 60° | Black (B) | BRISX-10L-30K-60-B |

FEATURES

- Steel band around center of globe
- 10' field-cuttable black cord
- 120V (no transformer required)



SPECIFICATIONS:

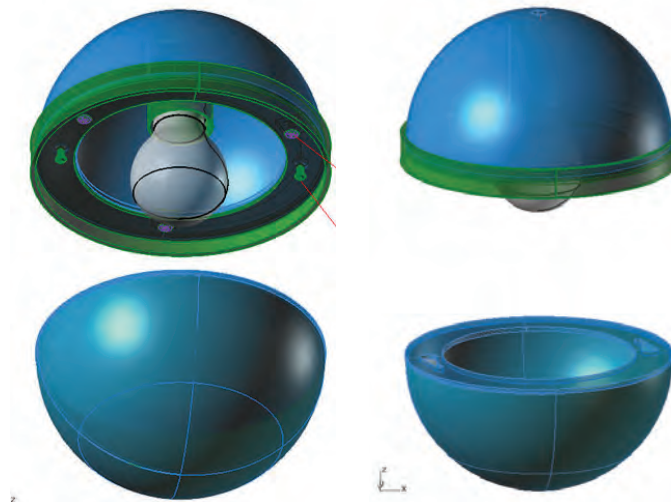
| | |
|--------------------------|---------|
| HARDWARE MATERIAL | Steel |
| SHADE MATERIAL | Acrylic |

| | |
|----------|----|
| A | 7" |
| B | 7" |
| C | 1" |

| |
|-----------------------|
| CATALOG NUMBER |
| BR-GLOBE8- BL |

LAMPING

- Includes E26 base for use with LED lamp that can be replaced by separating the upper acrylic shade from the lower acrylic shade



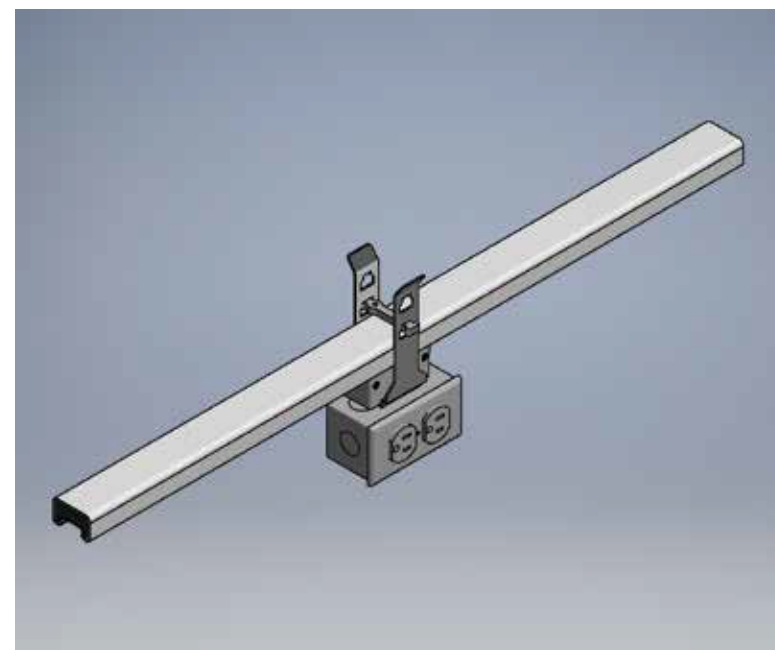
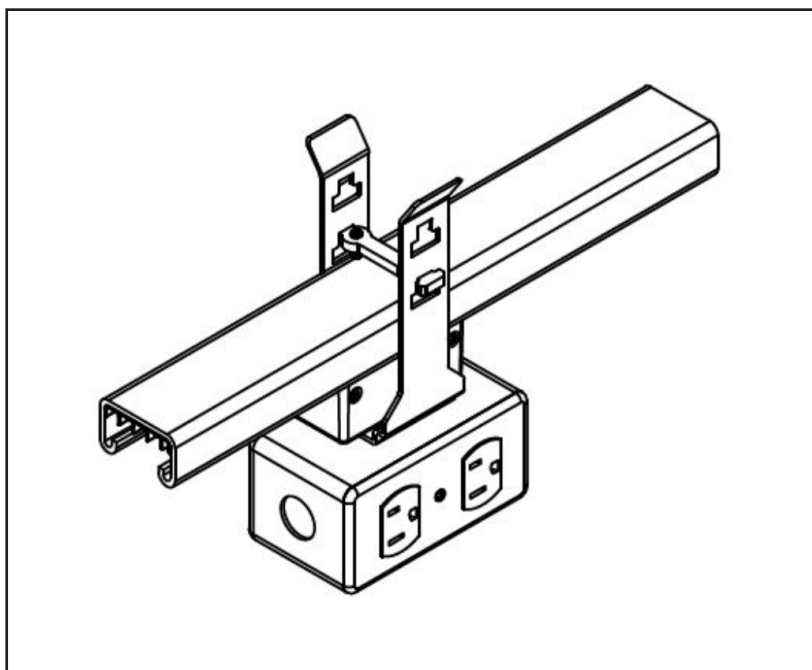
PRODUCT DATA

busSTRUT READY POWER DROP

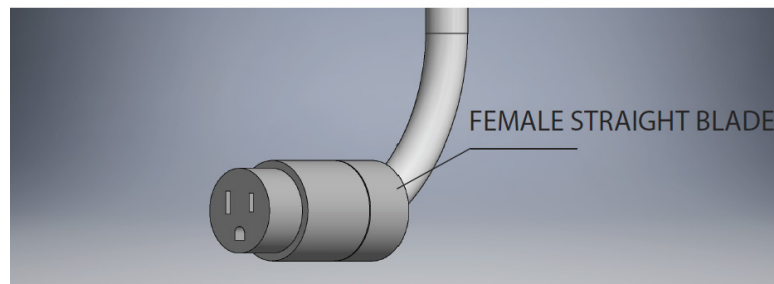
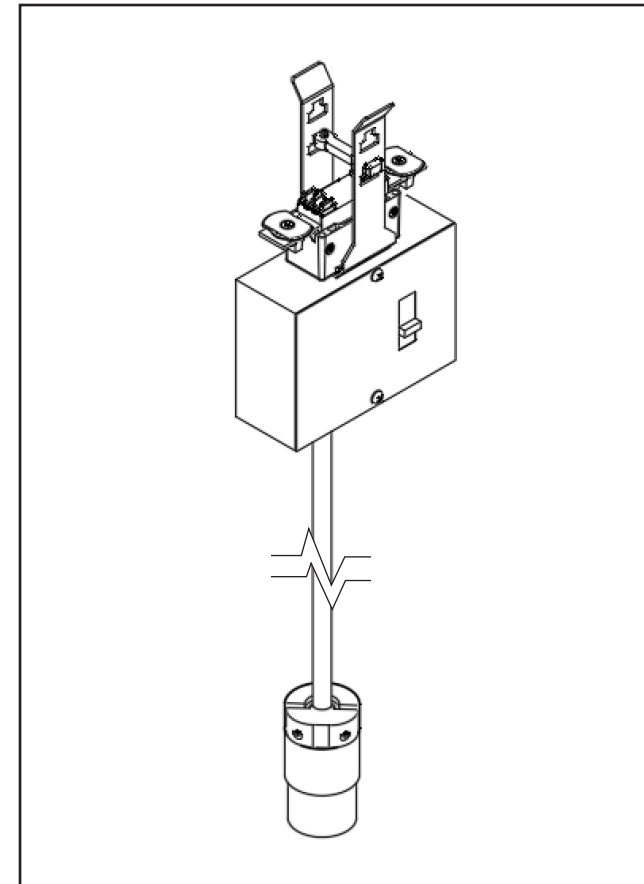
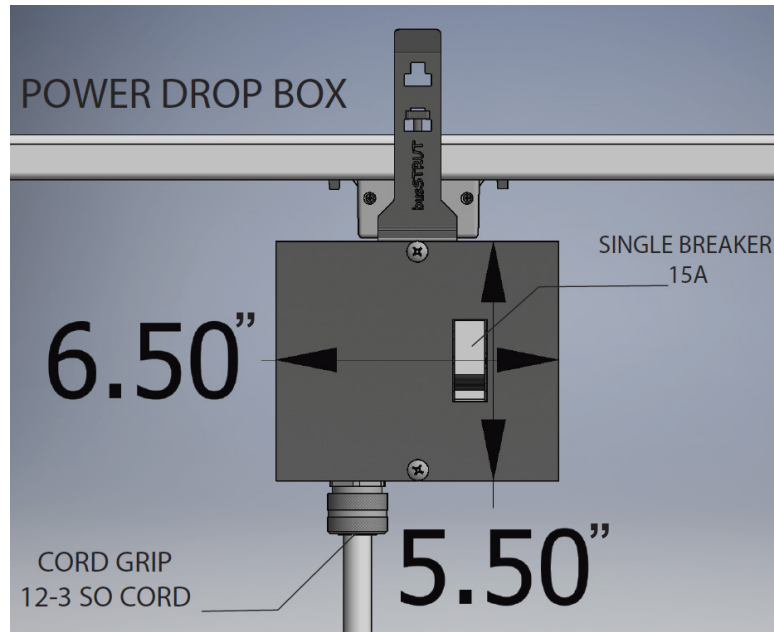
WIRELESS ACCESS POINT/PRICE SCANNER- MOUNTING BRACKET

| Product | CKT AMPS | Finish (F) | Voltage | Options (OP) | Catalog Number |
|---------|----------|-------------------------------------|---------|--|--------------------|
| MD | 15 A | G=Galvanized B= Black W=White | 120V | SB= Straight Blade L515= Twist Lock | MD15-2-120-OB-B-SB |

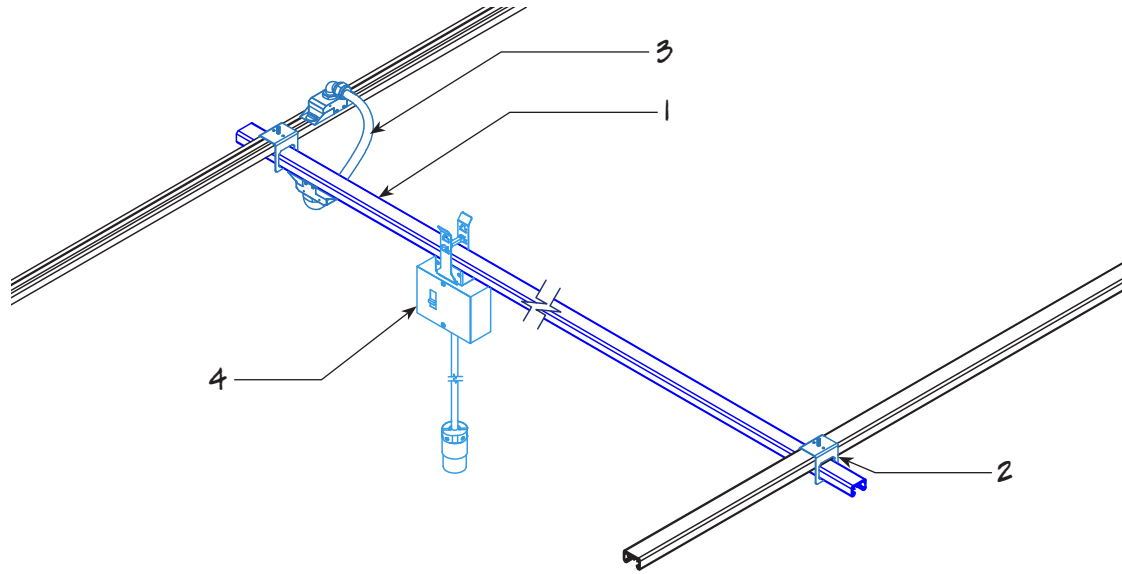
busSTRUT outlet boxes are for use with busSTRUT/20; single and double-deck. Comes complete with a 2 pole flip-fitter and mounting hardware. Included are PREWIRED receptacles.



| busSTRUT READY POWER DROP | | | | | |
|---------------------------|----------|------------------------------------|--------------------|--|---|
| Product | Amperage | Finish (F) | Length of Cord (L) | Options (OP) | Catalog Number |
| MD | 15A/120V | G=Galvanized B=Black W=White | 13' 10' | SB= Straight Blade LE=Live End LELE=Twist Lock | MD15-2-120-CB15-DC-13-B-SB MD15-2-120-CB15-DC-10-B-SB MD15-2-120-CB15-DC-(L)-(F)-(OP) |



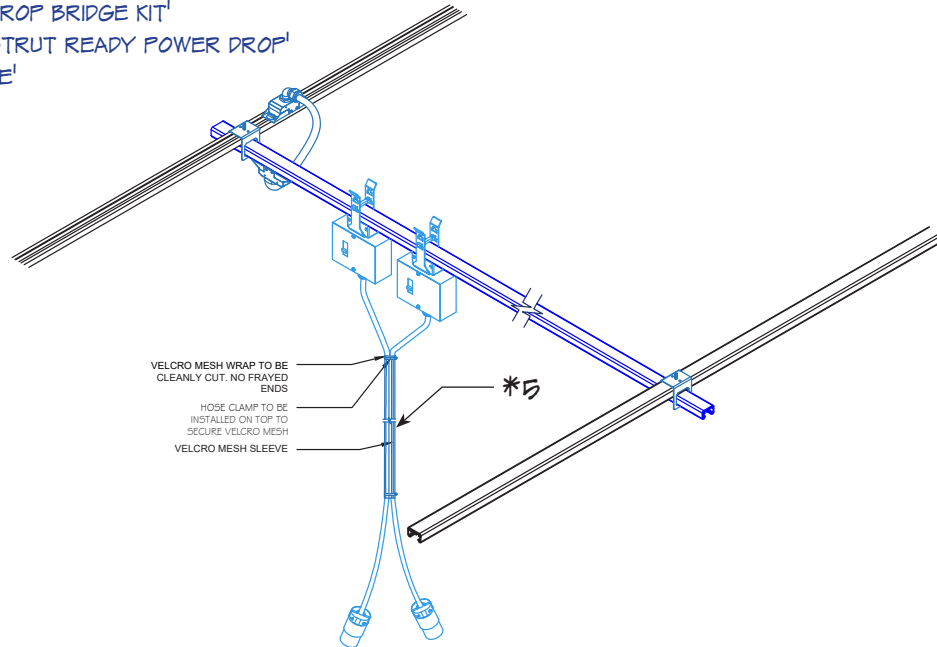
POWER DROP BRIDGE KIT:



To order a DOUBLE power drop: (as seen below)

Order a standard 'POWER DROP BRIDGE KIT'

- + ONE additional 'busSTRUT READY POWER DROP'
- + 'VELCRO MESH SLEEVE'



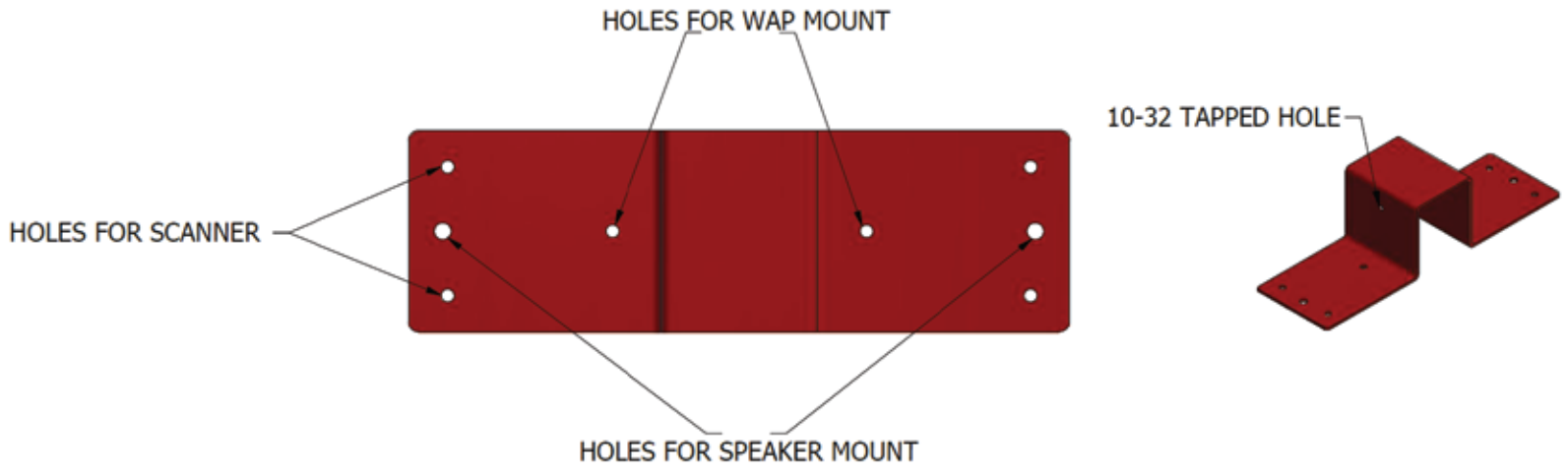
Kit Includes:

| | | |
|-----|--|---|
| 1. | | busSTRUT Length (10' Bridge): <u>M20-3-40-277-10-B</u> |
| 2. | | busSTRUT SLIMLINE 1/1 CROSSOVER <u>ICM-S-B-ST-X</u> |
| 3. | | busSTRUT JUMPER <u>MD4020-UNIV-JC-(F)-00-12-X</u> |
| 4. | | busSTRUT READY POWER DROP <u>MD15-2-120-CB15-DC-13-B-SB</u> |
| *5. | | (OPTIONAL) VELCRO/MESH SLEEVE *used for multiple drops <u>MD00-VS-0.75-B-10</u> |

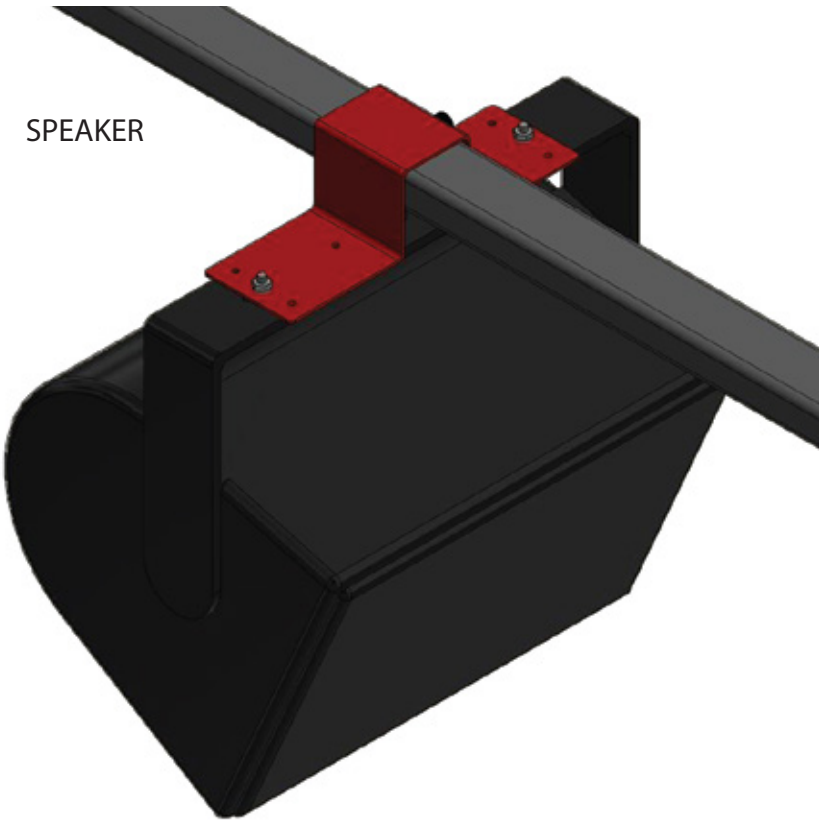
PRODUCT DATA

busSTRUT MECHANICAL MOUNTS

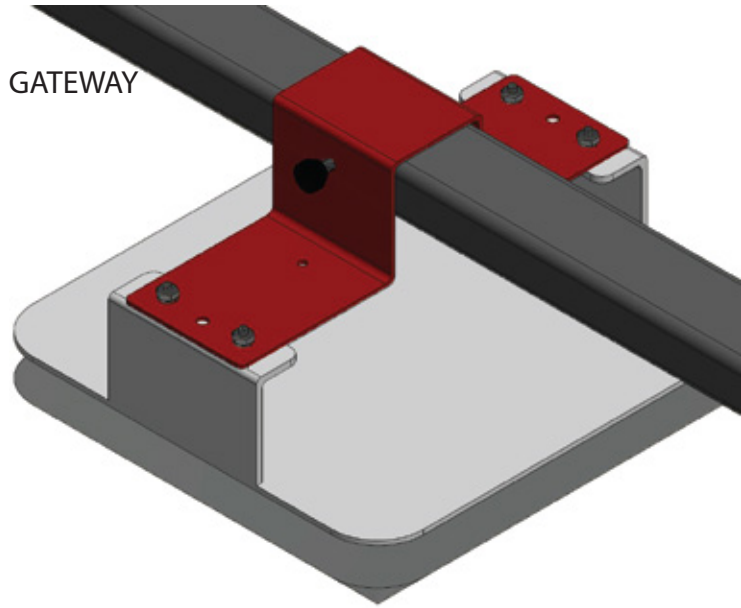
UNIVERSAL MOUNTING PLATE



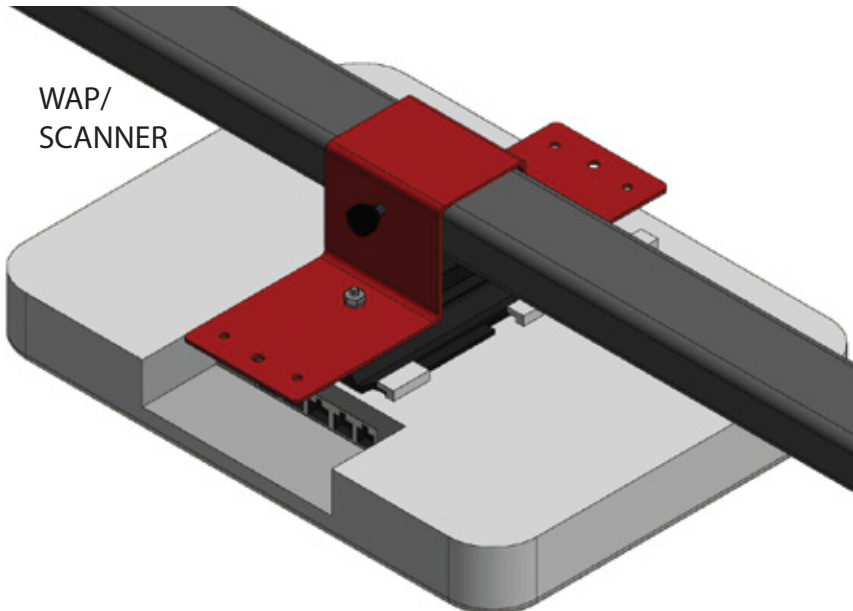
SPEAKER



GATEWAY

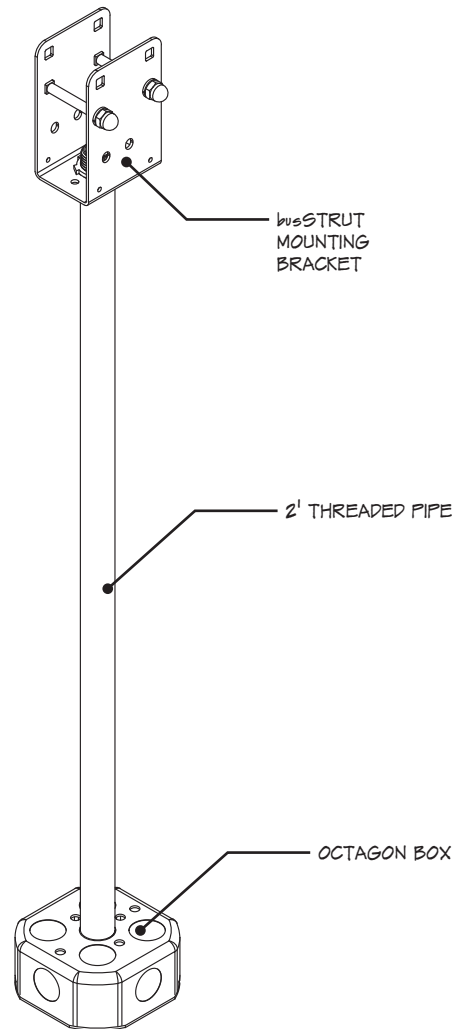
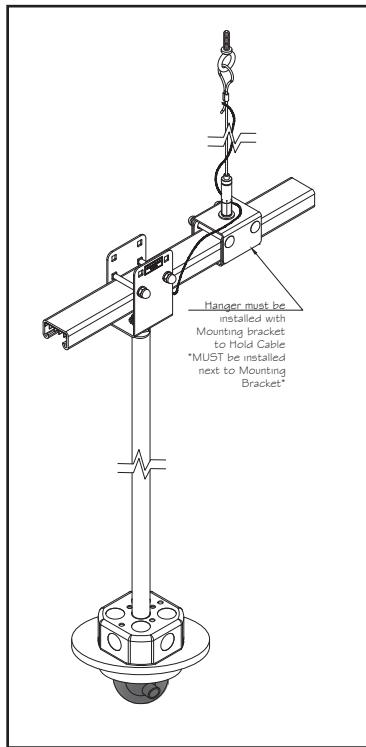


WAP/
SCANNER



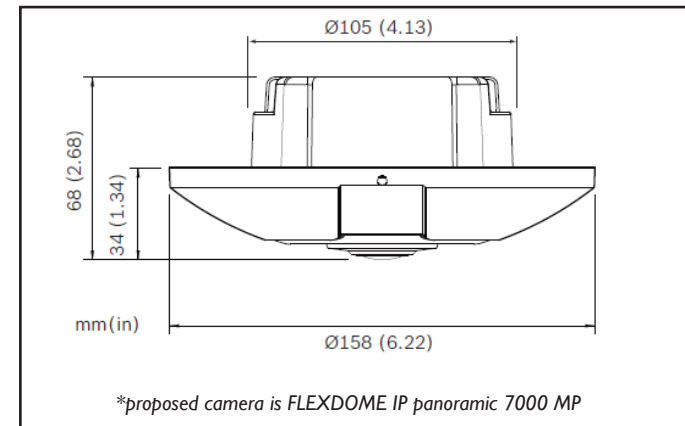
CAMERA MOUNTING BRACKET

| Product | Finish (F) | Length | Catalog Number |
|---------|--------------------------------------|--------|----------------|
| JUMPER | G=Galvanized B= Black W= White | 24" | SCMK-B-24-LB |



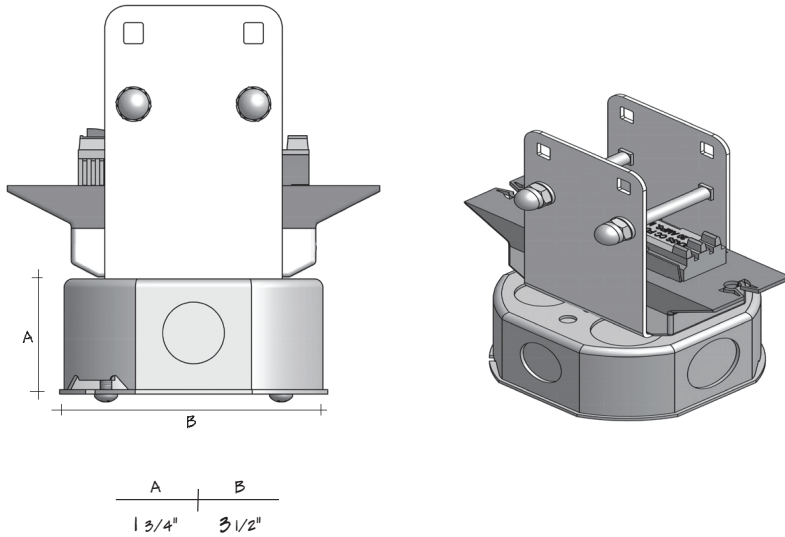
busSTRUT Camera Mount consists of a bracket, 24" threaded pipe, with an octagon box attached with blank cover plate for acceptance of the camera.

A busSTRUT hanger is to be installed next to the bracket to ensure straight installation of the wires to the ceiling.



*To ensure compatibility: sample of devices for use with this mounting hardware should be received to verify/improve

| OCTAGON BOX | busSTRUT | Ckt Amps | Voltage | Type | CRI | Lamp lm | Fixture lm | Watts | lm/w | Beam | CBCP | (F) Finish | Catalog Number |
|-------------|----------|----------|---------|------|-----|---------|------------|-------|------|------|------|----------------------|----------------------|
| | LB | 20 | 120 | | | | | | | | | B= Black W= White | LB20-2-20-120-DW-(F) |

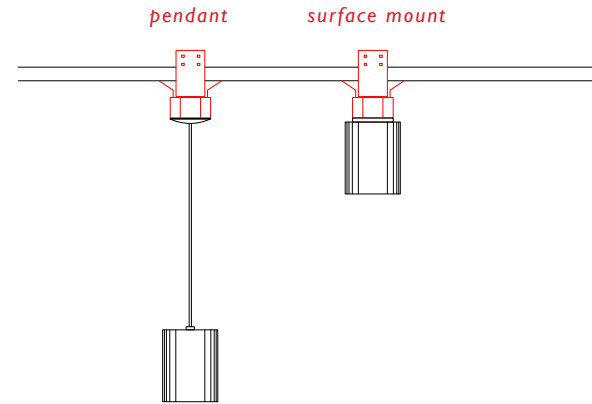


Description:

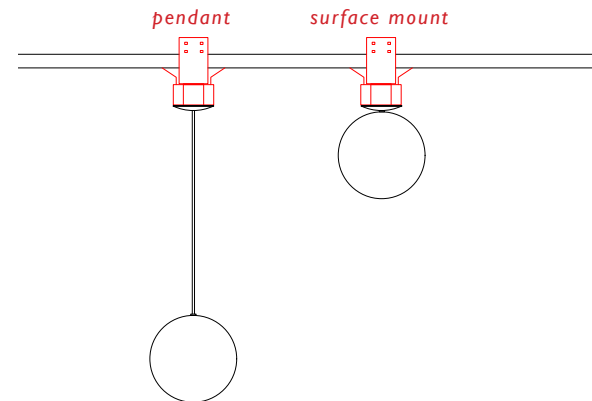
- Octagon boxes are for use with busSTRUT single and double-deck.
- Come complete with a 2 pole flip-fitter and a mounting hardware.
- Included are 12" PREWIRED lead lengths.
- Available in white and black.

GENERAL LIGHTING busSTRUT OCTAGON BOX

For use with **downlights** (by others)



For use with **decorative light** (by others)



The Nfinity NFT Series high-power LED emergency lighting unit provides industry leading 125' path of egress spacing. Suited for larger areas and egress paths such as warehouses, factories, lengthy corridors, large department store retailers and schools. This series eliminates the need for multiple emergency lighting units.

Model: _____ Date: _____
 Accessories: _____
 Job Name: _____ Type: _____

FEATURES AND BENEFITS

- Superlative optical performance up to **125'** spacing (NFT-HO)
- Eco-friendly, long-life, high-density LiFePO₄ battery pack
- Remote capability up to 5.4W (Not available with NFT-HO units)
- UL 924, cUL Listed
- Suitable for Damp Locations
- California Energy Commission (CEC) compliant



SPECIFICATIONS

Illumination: Standard NFT includes two 2.7W LED lamp heads
 High-output NFT-HO includes two 5.4W LED lamp heads

Housing: UL 5VA flame-rated thermoplastic housing

Input: 120-277VAC, 50/60Hz

Battery: Maintenance-free LiFePO₄ battery

Operating Temp: 10°C to 40°C (50°F to 104°F)

Run Time: cULus Listed 90 minute emergency run time, 24 hour recharge time

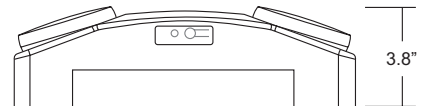
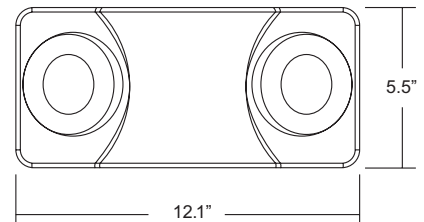
Mounting: Wall, pendant, I-beam and pole mount (with available accessory)

Finishes: Black or White

Options: G2 - Self-test/Self-diagnostics
 R - Remote Capable (5.4 Watts - NFT only)

Certifications: cULus 924 Listed, meets or exceeds CEC, NEC requirements and NFPA 101

Warranty: Five year warranty with a separate three year prorated warranty on the battery (Terms and Conditions Apply)



ORDERING INFORMATION Example: NFT-HO-W-G2

| Series | Finish | Options (Factory Installed) | Accessories ² (Field Installed) |
|-----------------------------|-----------|--|--|
| NFT = (2) 2.7W LED Lamps | B = Black | G2 = Self-test/Self-diagnostics | IHB = I-Beam and Pole Mounting Bracket |
| NFT-HO = (2) 5.4W LED Lamps | W = White | R ¹ = Remote Capable (5.4W) | WG-S = Wire Guard (Back Mount) |
| | | | WPV-2 = Wet Location/Vandal Guard (Back Mount) |

Notes

¹ Not available with NFT-HO Series - Compatible lamps MLED, RL1 and REN1

² Order as separate line item

CONSTRUCTION

Precision molded unit and lamp housings constructed of UV-stable UL 5VA flame-retardant, corrosion-resistant thermoplastic. Units resist denting, peeling, scratching and corrosion. Tool-less access provided for easy maintenance.

ILLUMINATION

Two fully adjustable, recessed lamp heads allow for maximum light to be delivered to the path of egress. Fixtures are supplied with high-powered LED lamp optics that deliver up to 125' on center spacing (high-output NFT-HO Series) with up to 1100 total lumens output. The standard NFT unit delivers up to 70' on center spacing with 520 total lumens output. The LEDs have an estimated life over 50,000 hours with normal use.

ELECTRICAL

Input

Wide input voltage range of 120 to 277VAC @ 50/60Hz.

LiFePO₄ (Lithium Phosphate) Battery

Exitronix LiFePO₄ batteries are environmentally friendly as well as thermally and chemically stable which makes them one of the safest batteries to use. With an extremely low discharge rate and high-power density the unit is able to provide unsurpassed performance. A fully charged pack will disconnect from the charging circuit, drawing no power. This feature significantly reduces the amount of wasted power when multiplied by the number of units installed. The cells' chemistry allows for environmentally friendly disposal making it one of the "greenest" energy sources available.

Emergency

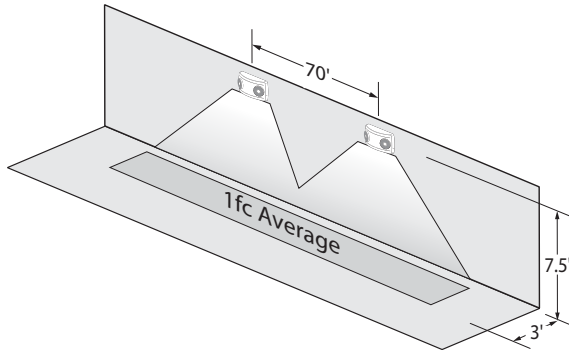
The Nfinity NFT Series will operate for a minimum of 90 minutes during a loss of power with a 24 hour maximum recharge time for the battery.

Remote Capable (Option: R - Not available with NFT-HO units)

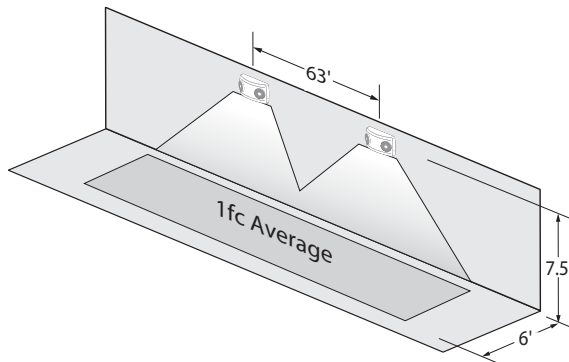
The R option provides an additional 5.4W of remote capability. Compatible with MLED, RL1 and REN1 LED lamps.

SAMPLE PHOTOMETRICS: NFT

Using multiple Nfinity NFT units (2.7W lamps) mounted at a typical 7.5' height delivers 70' on-center spacing with a 3' wide path of egress.



Using multiple NFT units (2.7W lamps) mounted at a typical 7.5' height delivers 63' on-center spacing with a 6' wide path of egress.



Solid-State Transfer

The unit features a solid-state switching transistor which eliminates damaged contacts or mechanical failures associated with relays. The switching circuit is designed to detect a loss of AC power and automatically energizes the lamps. Upon restoration of the AC voltage, the emergency lamps will switch off and the charger will automatically recharge the battery.

Test Button

Our test button is easy to locate and allows for manual verification of proper operation of the transfer circuit and emergency lamps.

INSTALLATION

A universal J-box mounting pattern and rear keyhole slots are provided for wall or ceiling mounting. Optional I-beam mounting bracket is available for mounting to poles, I-beams or strut metal framing.

OPTIONS

Guardian Self-Test/Self-Diagnostics (Option: G2)

The Guardian circuit continuously monitors the operating condition of the AC power, battery supply voltage, emergency lamp continuity and charging circuit.

The purpose of this option is to provide visual signaling in response to a fault. If a failure is detected, visual status will occur immediately via the CHARGER LED and/or the BATTERY FAULT LED. The LEDs will stay illuminated until the fault is corrected.

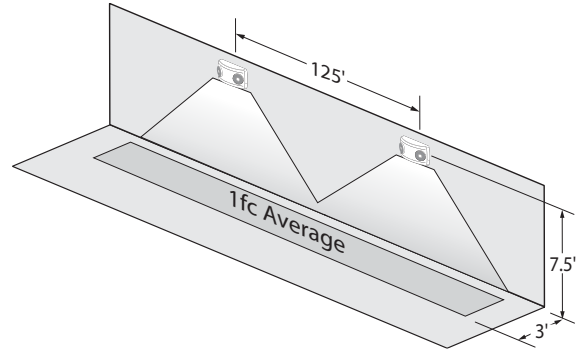
The Guardian circuit also monitors the transfer circuit as well as performing automatic code compliant testing. The Guardian circuit will perform a 30 second discharge and self-test every 28-30 days and a 90 minute discharge and self-test every 6 months.

CONFORMANCE TO CODES & STANDARDS

The Nfinity NFT Series is UL Listed and meets or exceed the following: CEC, UL 924, cUL (CSA C22.2 No 141-15), NEC requirements and NFPA 101.

SAMPLE PHOTOMETRICS: NFT-HO

Using multiple NFT-HO units (5.4W lamps) mounted at a typical 7.5' height delivers 125' on-center spacing with a 3' wide path of egress.



Using multiple NFT-HO units (5.4W lamps) mounted at a typical 7.5' height delivers 115' on-center spacing with a 6' wide path of egress.

