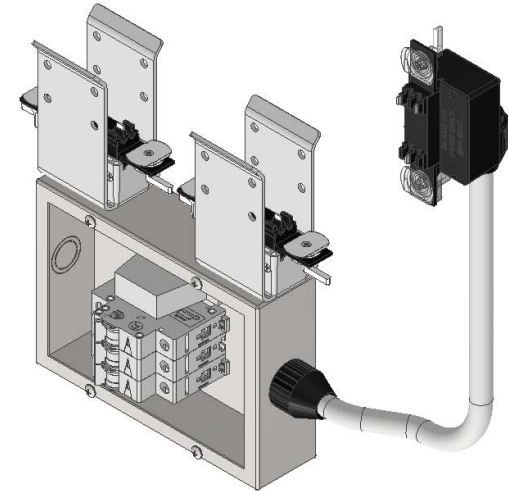
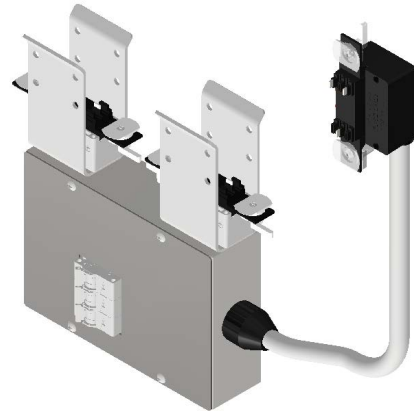
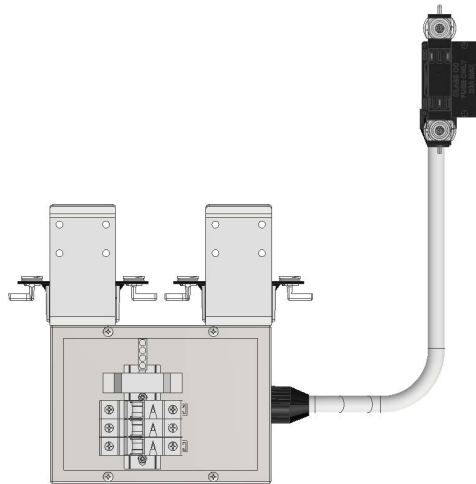


LINE-FEED: BREAKER LIMITERS

3-Phase Breaker
powered from direct + whip fitting
up to 40 Amps on each Phase

busSTRUT (double-deck)			
Product	Voltage	Amp	Catalog Number
LINE-FEED (BREAKERS)	UNIVERSAL	40	P40-4-120-UNIV-CB40-(F)
	120/277V	Custom	P40-4-120-UNIV-CBXX-(F)

Finish - G=Galvanized W=White B=Black
Custom Amperages Available



Breakered Line-Feed with Whip Cord for 3-Phase Power Distribution (40A per Phase)

The Breakered Line-Feed is engineered for flexible positioning anywhere along the busSTRUT, optimizing power distribution and reducing homerun lengths. Designed for 40A per phase systems, it features a Fitter for (2) lower deck phases, and cord with Fitter to enable easy connection of the third phase on the top deck, ensuring seamless integration with 3-phase power. Available in galvanized, powder-coated white, and black finishes, it supports universal 120/277V applications and is compatible with double-deck busSTRUT/40. Factory-installed 3 phase circuit breakers provide safety and reliability, making it an ideal solution for high-capacity systems

