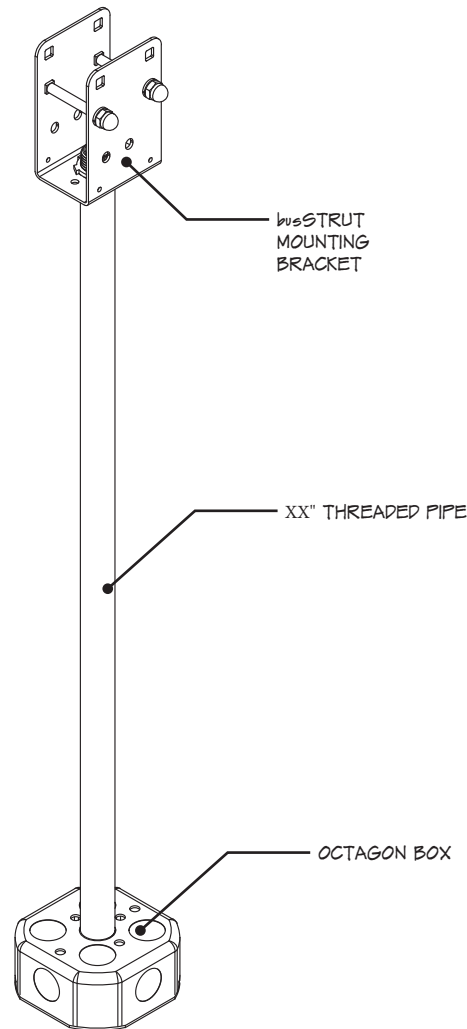
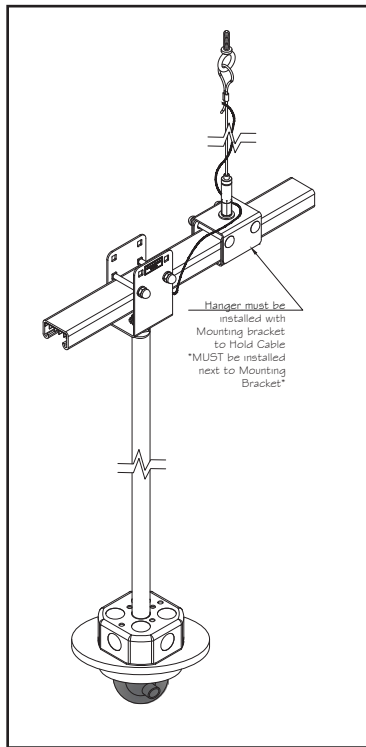


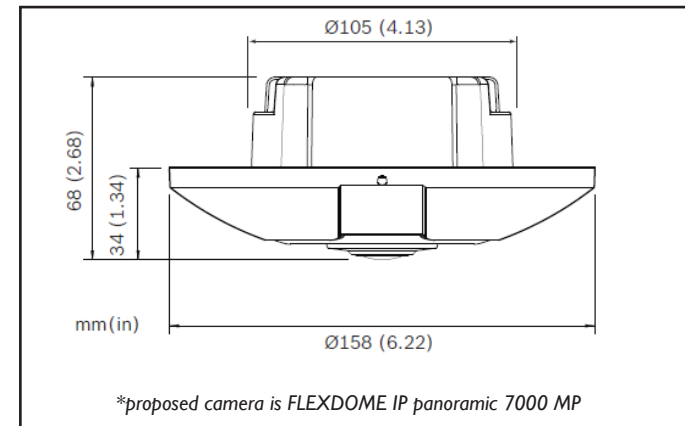
CAMERA MOUNTING BRACKET

Product	Finish (F)	Length	Catalog Number
Mechanical	G=Galvanized B= Black W= White	XX"	SCMK-(F)-XX-LB



busSTRUT Camera Mount consists of a bracket, XX" threaded pipe, with an octagon box attached with blank cover plate for acceptance of the camera.

A busSTRUT hanger is to be installed next to the bracket to ensure straight installation of the wires to the ceiling.



*To ensure compatability: sample of devices for use with this mounting hardware should be received to verify/improve