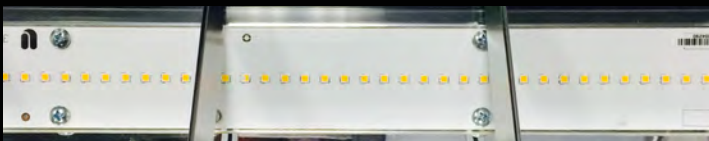




busSTRUT : GALVANIZED  
fixture : grey

**BW LED DOWNLIGHT**  
'UNIBODY' STEEL with Parabolic Louver

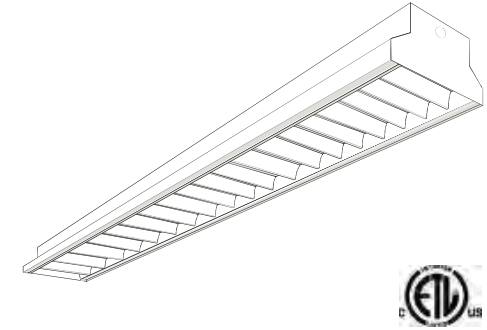
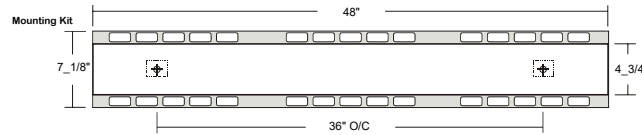
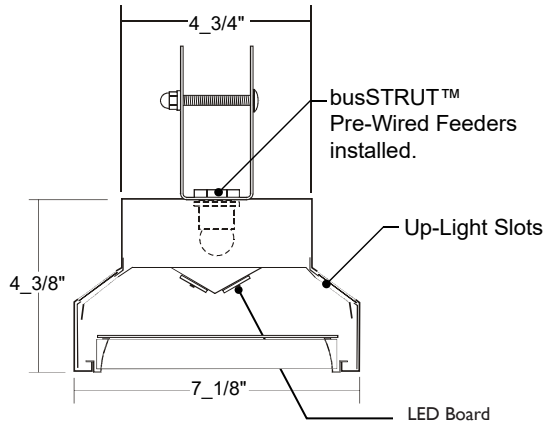


INTEGRAL LED BOARD USED IN PLACE OF FLUORESCENT LAMP

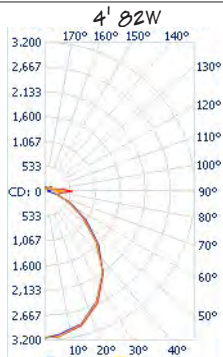
**BATWING DISTRIBUTION**

TYPE	Fixture					Boards				CRI	Kelvin (K)	Finishes (F)	Louver Color (LC)	Mnt Kit Color (MK)	Fitter Options (FT)	Diffuser (D)	Option Codes:	Catalog Number	
	busSTRUT	Type	Length	Lumens	Watts	lm/w	Type	No.	Lumens										Watts
<b>LED BWseries</b> WIDE-SPREAD DOWNLIGHT Lens & Louver	BR	LED	4'	7800	82.4	94.7	LED	4	10K	82.4	80	L1 = 2700 K L2 = 3000 K L3 = 3500 K L4 = 4000 K	WT = White BL = Black GR = Grey	WT = White BL = Black GR = Grey	WT = White BL = Black GV = Galv	2P = 2 Pole 3P = 3 Pole	LL = Lens/Louver	WLC = Wireless Control	BR-LED4-10K-BW-L2-WT-GV-2P-LL-U-WLC
			8'	15600	164.8	94.6		8	20K	164.8									BR-LED8-20K-BW-L2-WT-GV-2P-LL-U-WLC

### HIGH OUTPUT LED



### CANDLEPOWER:



Zone	Lumens	%
0-10	3001	3.8
10-20	8433	10.8
20-30	12149	15.6
30-40	13482	17.3
40-50	12173	15.6
50-60	9103	11.7
60-70	5663	7.3
70-80	2777	3.6
80-90	2625	3.4
<b>Total</b>	<b>6940.6</b>	<b>100%</b>

### COEFFICIENTS of UTILIZATION - Zonal Cavity Method

RF	Effective Floor Cavity Reflectance 0.20										
	80				70				50		
RW	70	50	30	0	70	50	30	0	50	30	20
0	1.02	1.02	1.02	1.02	1.00	1.00	1.00	.86	.95	.95	.95
1	.95	.91	.88	.85	.93	.89	.87	.75	.86	.84	.81
2	.87	.81	.75	.71	.85	.79	.74	.65	.76	.72	.69
3	.80	.71	.65	.60	.78	.70	.64	.56	.68	.63	.58
4	.73	.64	.56	.51	.71	.62	.56	.48	.60	.55	.50
5	.67	.57	.50	.44	.66	.56	.49	.42	.54	.48	.43
6	.62	.51	.44	.39	.61	.50	.43	.37	.49	.43	.38
7	.58	.46	.39	.34	.56	.46	.39	.33	.44	.38	.34
8	.54	.42	.35	.30	.52	.42	.35	.30	.41	.34	.30
9	.50	.39	.32	.27	.49	.38	.32	.27	.37	.31	.27
10	.47	.36	.29	.25	.46	.35	.29	.24	.34	.28	.24

#### Type:

- 4 board 4', or 8 board 8', LED downlight with white aluminum reflector, white aluminum parabolic cross baffle louver with 0.080 flat frosted acrylic lens overlay, and 2" o.c. louver spacing.

#### Construction:

-20ga. cold rolled steel welded housing

#### Finish:

-Baked Powder coated finish, paint after fabrication.

#### Colors:

-Three standard colors  
 WT - Sky white (DuPont® PFW665S9)  
 BL - Matte black (DuPont® UFB634S2)  
 GR - Camaro silver (DuPont® UFA402M9)

#### Reflector:

-Enhanced white aluminum reflector(s)  
 -90% reflectance

#### Louver:

-4' white aluminum parabolic cross baffle louver with 0.080 flat frosted acrylic lens overlay, and 2" o.c. louver spacing.  
 -Two louvers per 8' unit

#### Drivers:

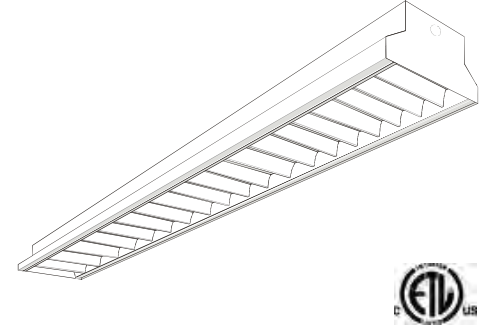
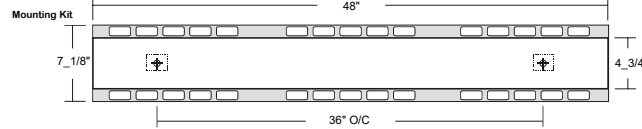
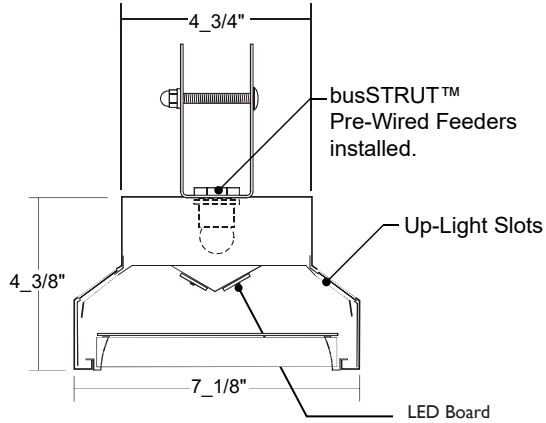
- 120/277V High Efficiency Drivers

#### Lamp:

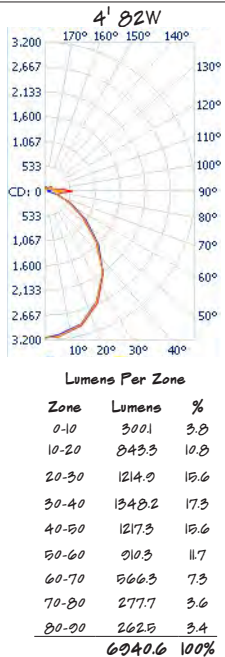
-560MM 48 LED linear module

TYPE	Fixture				Boards				CRI	Kelvin (K)	Finishes (F)	Louver Color (LC)	Mnt Kit Color (MK)	Fitter Options (FT)	Diffuser (D)	Option Codes	Catalog Number		
	busSTRUT	Type	Length	Lumens	Watts	lm/w	Type	No.										Lumens	Watts
<b>LED BWseries</b> WIDE-SPREAD DOWNLIGHT Lens & Louver	BR	LED	4'	7800	82.4	94.7	LED	4	11K	82.4	80	L1 = 2700 K L2 = 3000 K L3 = 3500 K L4 = 4000 K	WT = White BL = Black GR = Grey	WT = White GR = Gray	WT = White BL = Black GV = Galv	2P = 2 Pole 3P = 3 Pole	LL = Lens&Louver	BPL = Battery Pack WLC = Wireless Control	BR-LED4-10K-BW-L2-WT-GV-2P-BPL-LL-U-WLC
			8'	15600	164.8	94.6		8	20K	164.8									BR-LED8-20K-BW-L2-WT-GV-2P-BPL-LL-U-WLC

HIGH OUTPUT LED



### CANDLEPOWER:



### COEFFICIENTS of UTILIZATION - Zonal Cavity Method

RF	Effective Floor Cavity Reflectance 0.20										
	80				70				50		
RW	70	50	30	0	70	50	30	0	50	30	20
0	1.02	1.02	1.02	1.02	1.00	1.00	1.00	.86	.95	.95	.95
1	.95	.91	.88	.85	.93	.89	.87	.75	.86	.84	.81
2	.87	.81	.75	.71	.85	.79	.74	.65	.76	.72	.69
3	.80	.71	.65	.60	.78	.70	.64	.56	.68	.63	.58
4	.73	.64	.56	.51	.71	.62	.56	.48	.60	.55	.50
5	.67	.57	.50	.44	.66	.56	.49	.42	.54	.48	.43
6	.62	.51	.44	.39	.61	.50	.43	.37	.49	.43	.38
7	.58	.46	.39	.34	.56	.46	.39	.33	.44	.38	.34
8	.54	.42	.35	.30	.52	.42	.35	.30	.41	.34	.30
9	.50	.39	.32	.27	.49	.38	.32	.27	.37	.31	.27
10	.47	.36	.29	.25	.46	.35	.29	.24	.34	.28	.24

#### Type:

- 4 board 4', or 8 board 8', LED downlight with white aluminum reflector, white aluminum parabolic cross baffle louver with 0.080 flat frosted acrylic lens overlay, and 2" o.c. louver spacing.

#### Construction:

-20ga. cold rolled steel welded housing

#### Finish:

-Baked Powder coated finish, paint after fabrication.

#### Colors:

-Three standard colors  
 WT - Sky white (DuPont® PFW66559)  
 GR - Camaro silver (DuPont® UFA402M9)

#### Reflector:

-Enhanced white aluminum reflector(s)  
 -90% reflectance

#### Louver:

-4' white aluminum parabolic cross baffle louver with 0.080 flat frosted acrylic lens overlay, and 2" o.c. louver spacing.  
 -Two louvers per 8' unit

#### LED System:

**Drivers:**  
 - 120/277V High Efficiency Drivers

**Lamp:**  
 -560MM 48 LED linear module

#### Options:

BPL - Emergency Battery Pack, operates 10Watt LED load @ 18-48VDC for 90 minutes with minimum 1500 lumens.