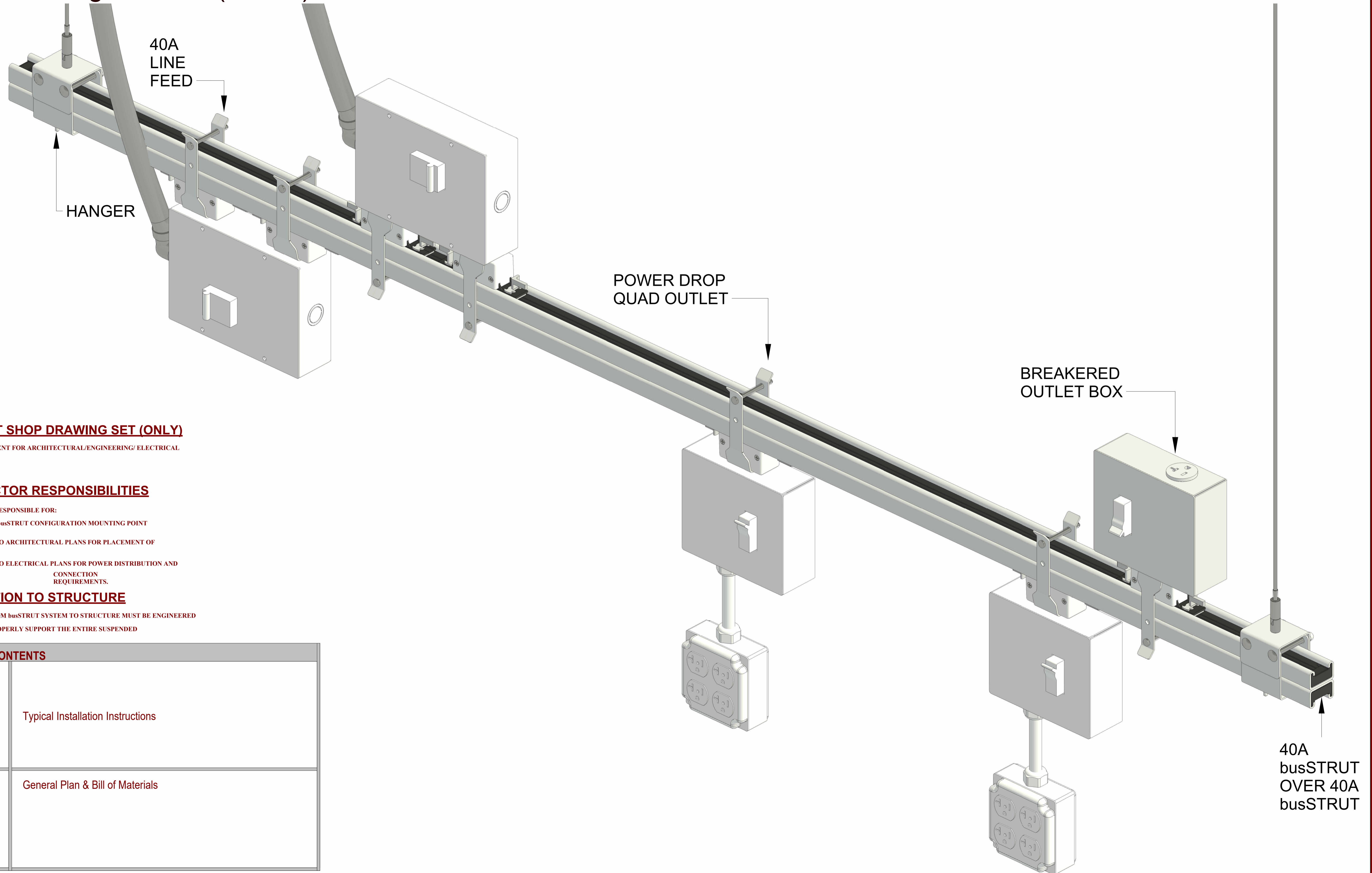


busSTRUT Shop Drawing Set

160A Single-Phase (4x40A) 120V



busSTRUT SHOP DRAWING SET (ONLY)

NOT A REPLACEMENT FOR ARCHITECTURAL/ENGINEERING/ ELECTRICAL SPECIFICATIONS.

(DEFER TO THEIR DRAWINGS)

CONTRACTOR RESPONSIBILITIES

CONTRACTOR IS RESPONSIBLE FOR:

- 1- FOLLOWING busSTRUT CONFIGURATION MOUNTING POINT RULES.
- 2- REFERRING TO ARCHITECTURAL PLANS FOR PLACEMENT OF LIGHTS.
- 3- REFERRING TO ELECTRICAL PLANS FOR POWER DISTRIBUTION AND ELECTRICAL CONNECTION REQUIREMENTS.

CONNECTION TO STRUCTURE

ATTACHMENT FROM busSTRUT SYSTEM TO STRUCTURE MUST BE ENGINEERED AND INSTALLED TO PROPERLY SUPPORT THE ENTIRE SUSPENDED WEIGHT.

TABLE OF CONTENTS

E-b0.1 E-b0.2	Typical Installation Instructions
E-b1	General Plan & Bill of Materials



busSTRUT

4782 Roberts Road
Columbus, OH
43228

TEL: 614.933.8695
E-MAIL:
INFO@busSTRUT.COM
WWW.BUSSTRUT.COM

PROJECT CHARGE

LARRY GELLERT

DESIGNER

JOHN LOCH

DESIGNER

ALEXSIA MARTINEZ

DATE

02/25/2025

REVISION

BY/REVIEW

busSTRUT
SHOP DRAWING SET (ONLY)
NOT A REPLACEMENT FOR
ARCHITECTURAL /
ENGINEERING OR ELECTRICAL
DRAWINGS

NO.	REV.	DESCRIPTION

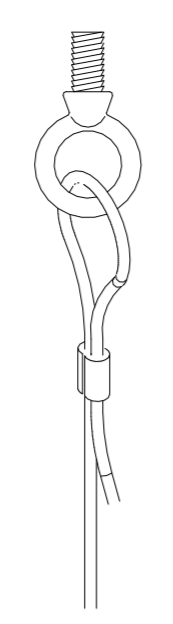
PAPER SIZE:
ARCH E (48x36)

NOT TO SCALE

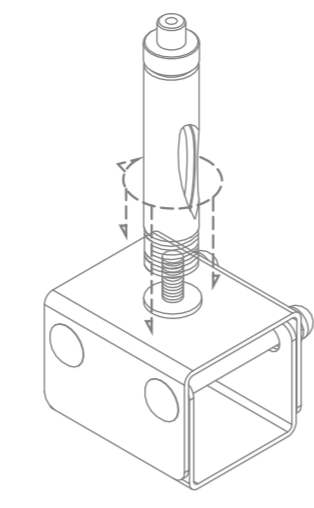
COVER SHEET

STEP 1

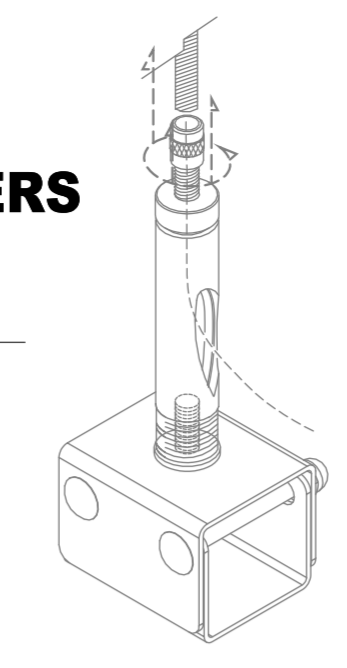
SUSPENDING busSTRUT



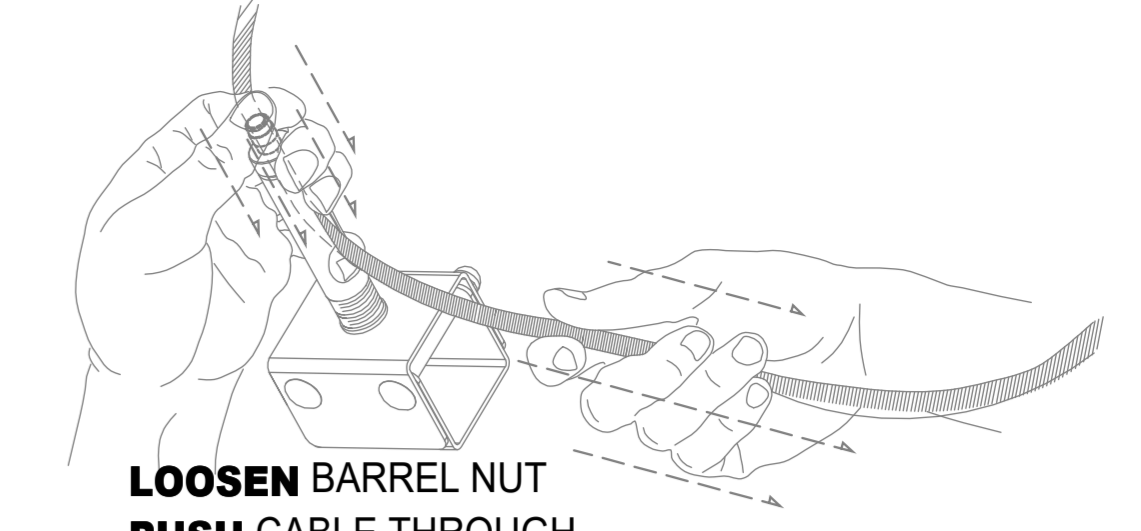
1 SUSPEND CABLES
(CG-XX)
ATTACH CABLE ASSEMBLY TO STRUCTURE
*It is the contractor and/or engineer's responsibility to determine correct connection to structure (beam clamp, etc).



2 ASSEMBLE HANGERS
(HM-S)
ASSEMBLE HANGERS AND ATTACH CABLE GLIDE



3 ATTACH HANGERS TO CABLES
(CG-XX)
FEED CABLES THROUGH GLIDE TO ATTACH



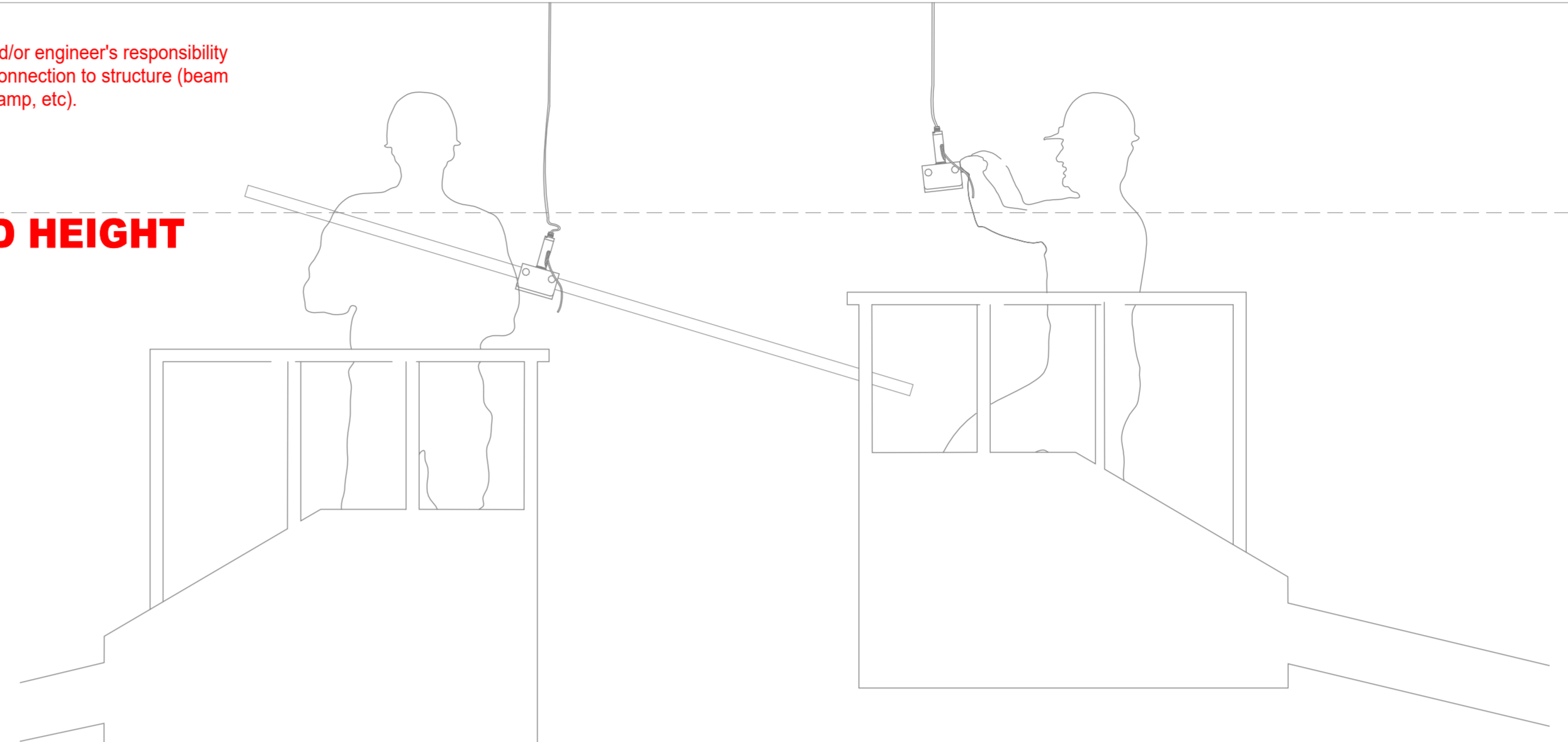
LOOSEN BARREL NUT PUSH CABLE THROUGH PULL CABLE FOR SLACK

SLIDE busSTRUT THROUGH SUSPENDED HANGERS

Assemble
Create cable suspended runs of busSTRUT. Usually, these are running perpendicular to structural joists. Insert busSTRUT lengths through hangers/crossovers working from FINISHED HEIGHT.

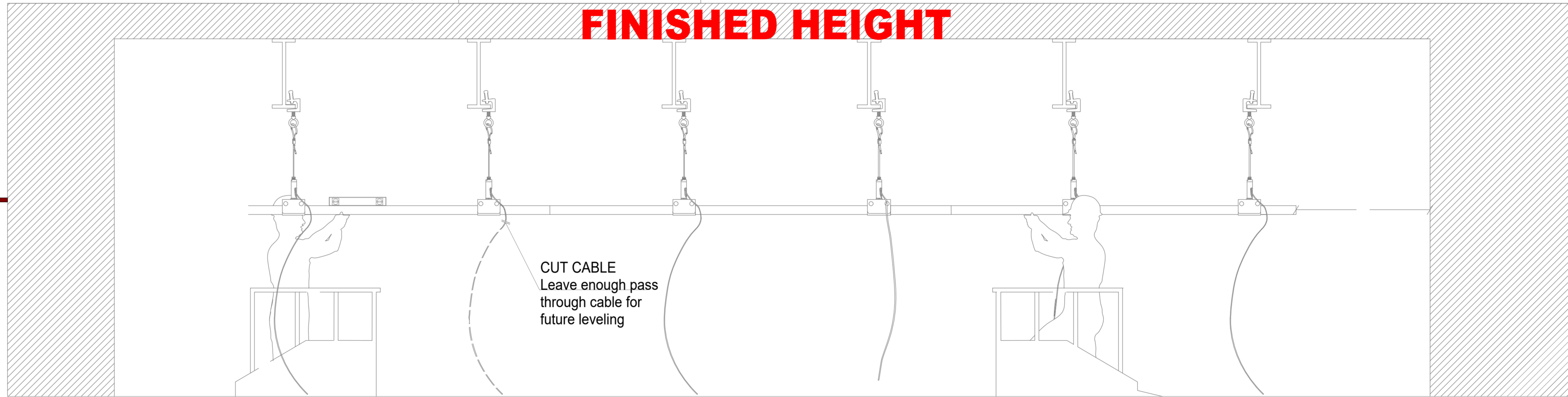
FINISHED HEIGHT

*It is the contractor and/or engineer's responsibility to determine correct connection to structure (beam clamp, etc).



BE SURE TO FOLLOW busSTRUT MOUNTING RULES (SEE busSTRUT shop drawings)

LEVEL busSTRUT AND TRIM CABLE



FINISHED HEIGHT

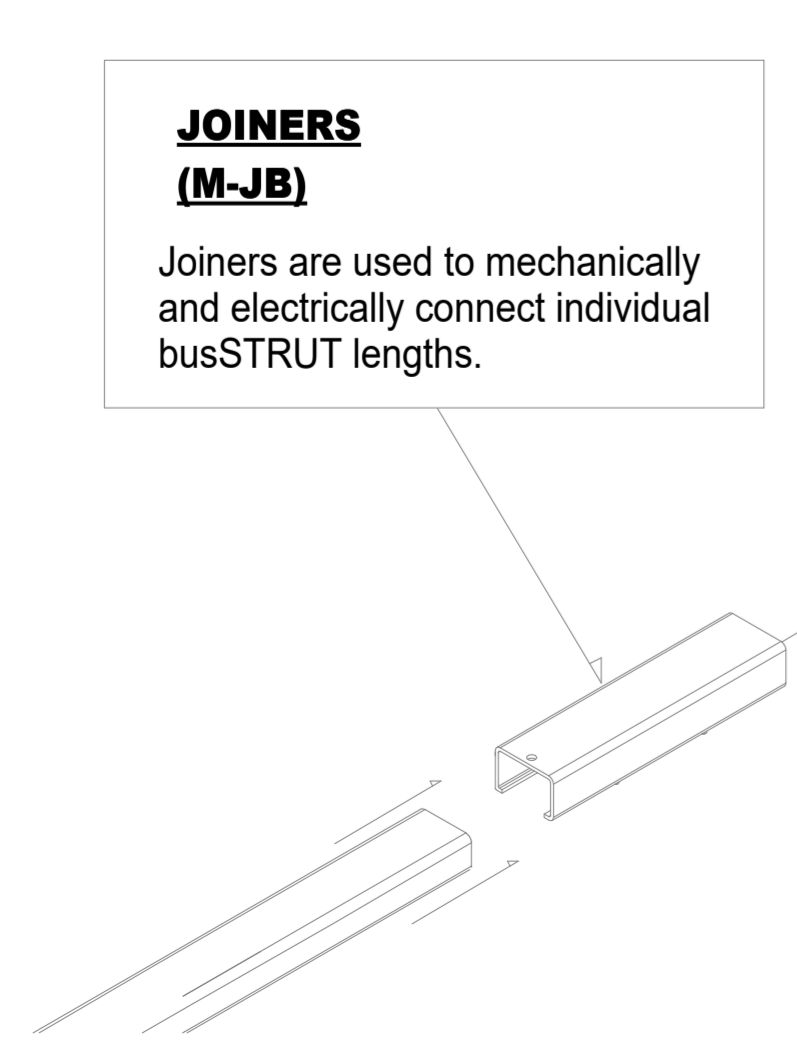
CUT CABLE
Leave enough pass through cable for future leveling

STEP 2

INSERT JOINERS

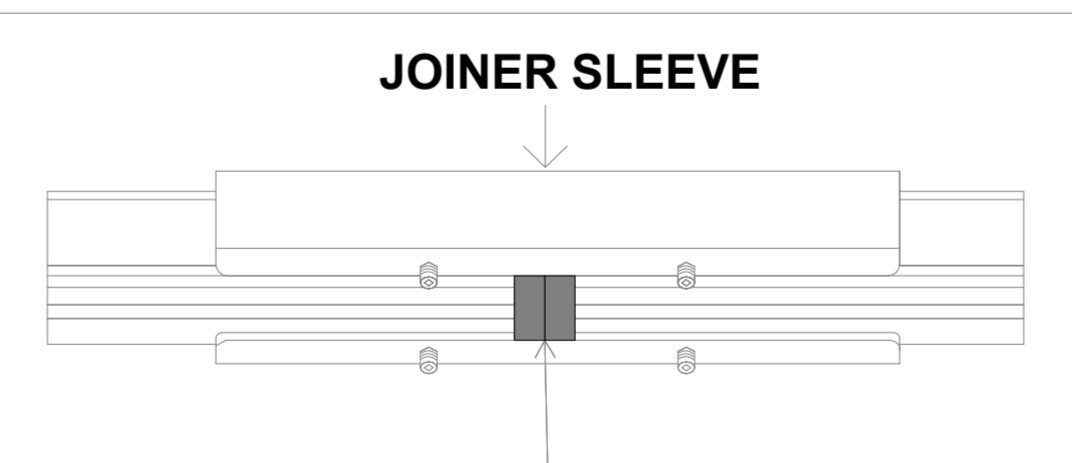
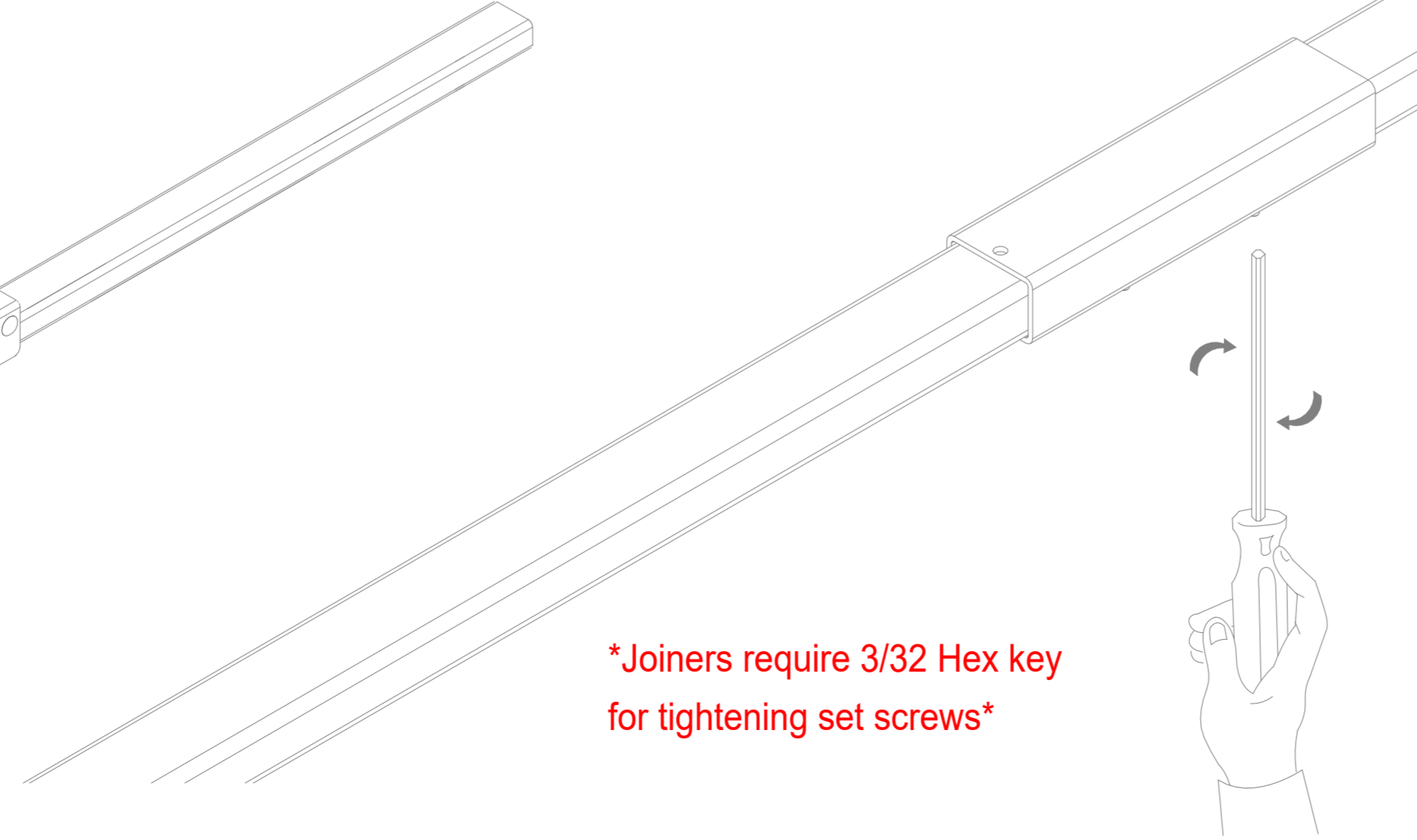
ATTACH JOINERS TO EACH END OF CONNECTING busSTRUT

JOINERS (M-JB)
Joiners are used to mechanically and electrically connect individual busSTRUT lengths.



TIGHTEN JOINERS
TIGHTEN SET SCREWS ON THE BOTTOM OF THE JOINER

Joiners require 3/32 Hex key for tightening set screws

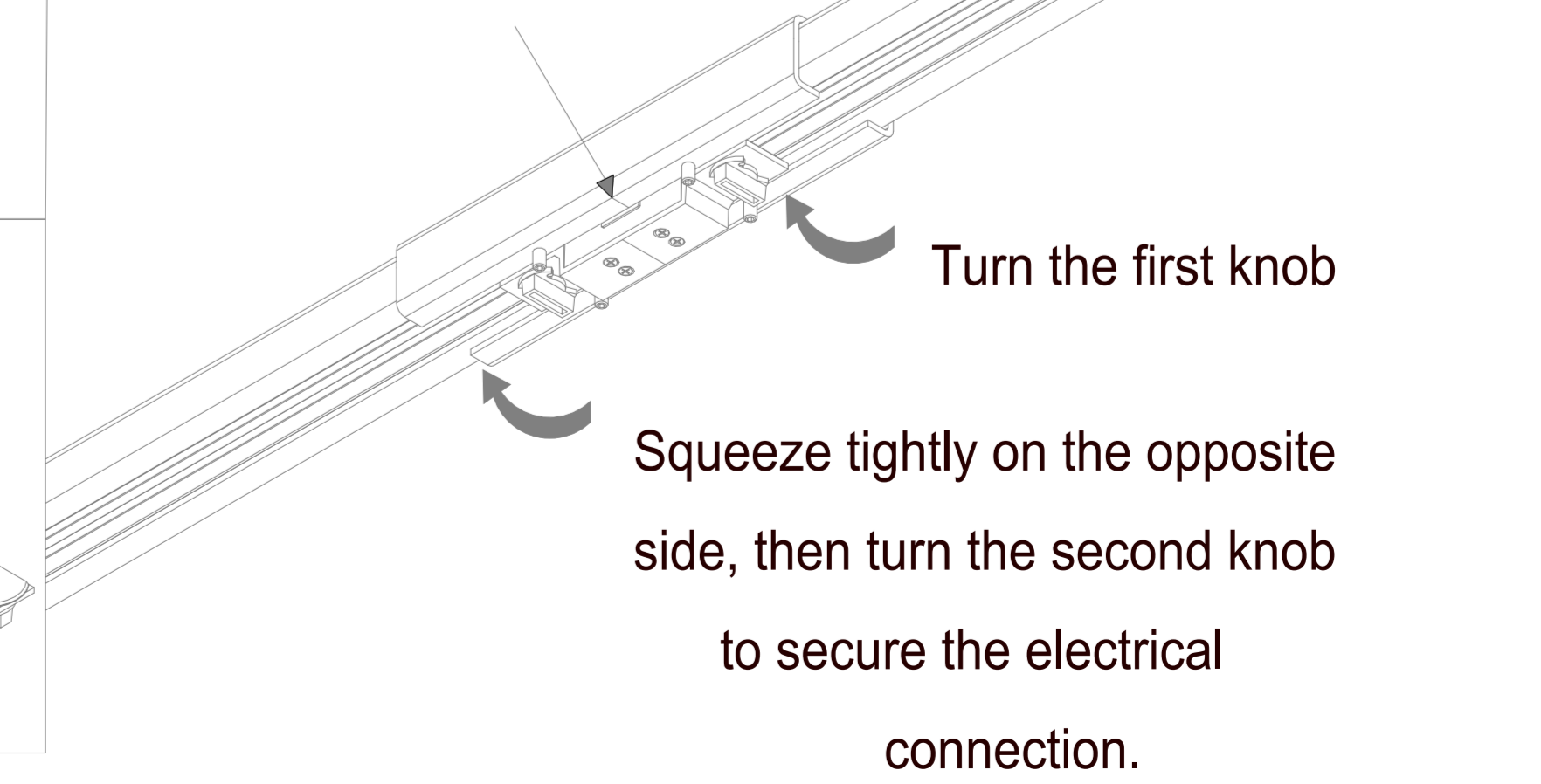


CAUTION: Ensure end caps are flush and touching / connected -to-one-another inside joint.

JOINER INSERT (M-JI-X)
A single piece unit that is installed with two knobs, one must be fully turned in each abutting length. As a result, power can continue to flow from one length to the next.

ATTACH INSERT
ATTACH JOINERS TO EACH END OF CONNECTING busSTRUT

Line up center of insert with etched centerline on joiner sleeve



Turn the first knob
Squeeze tightly on the opposite side, then turn the second knob to secure the electrical connection.

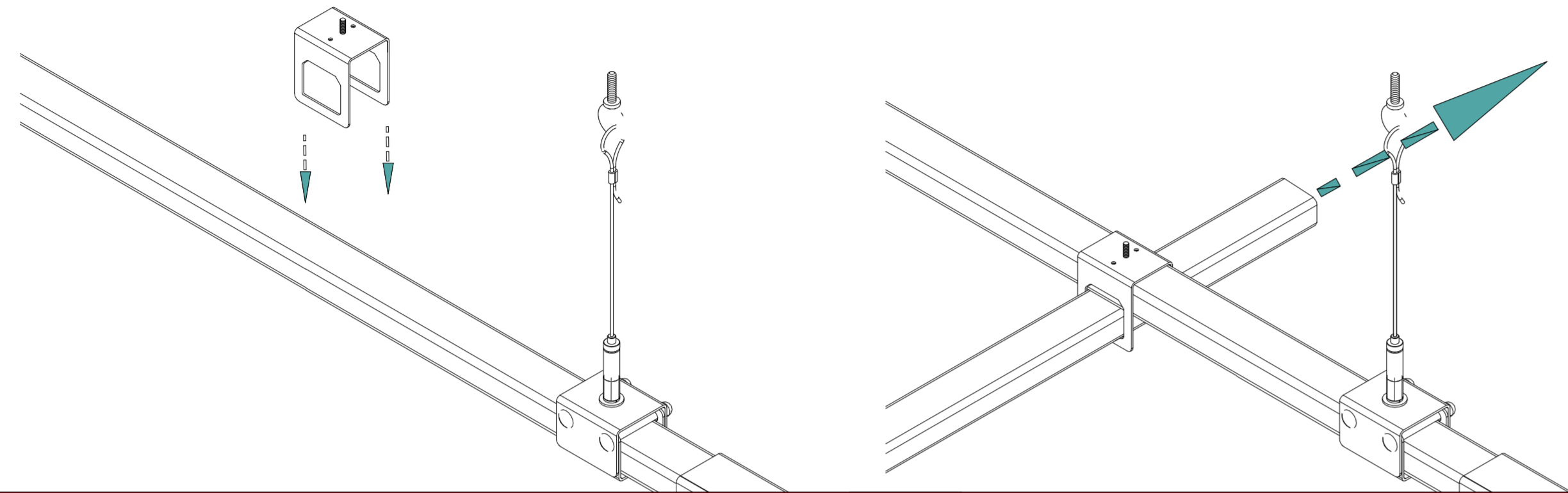
****Installation Instruction Guidelines are provided only as that, informative guidelines. Defer to architectural/engineering drawings tailored to the specific project.**

NO.	REV.	DATE	DESCRIPTION

STEP 3

INSTALLING CROSSOVERS DROPPING ON

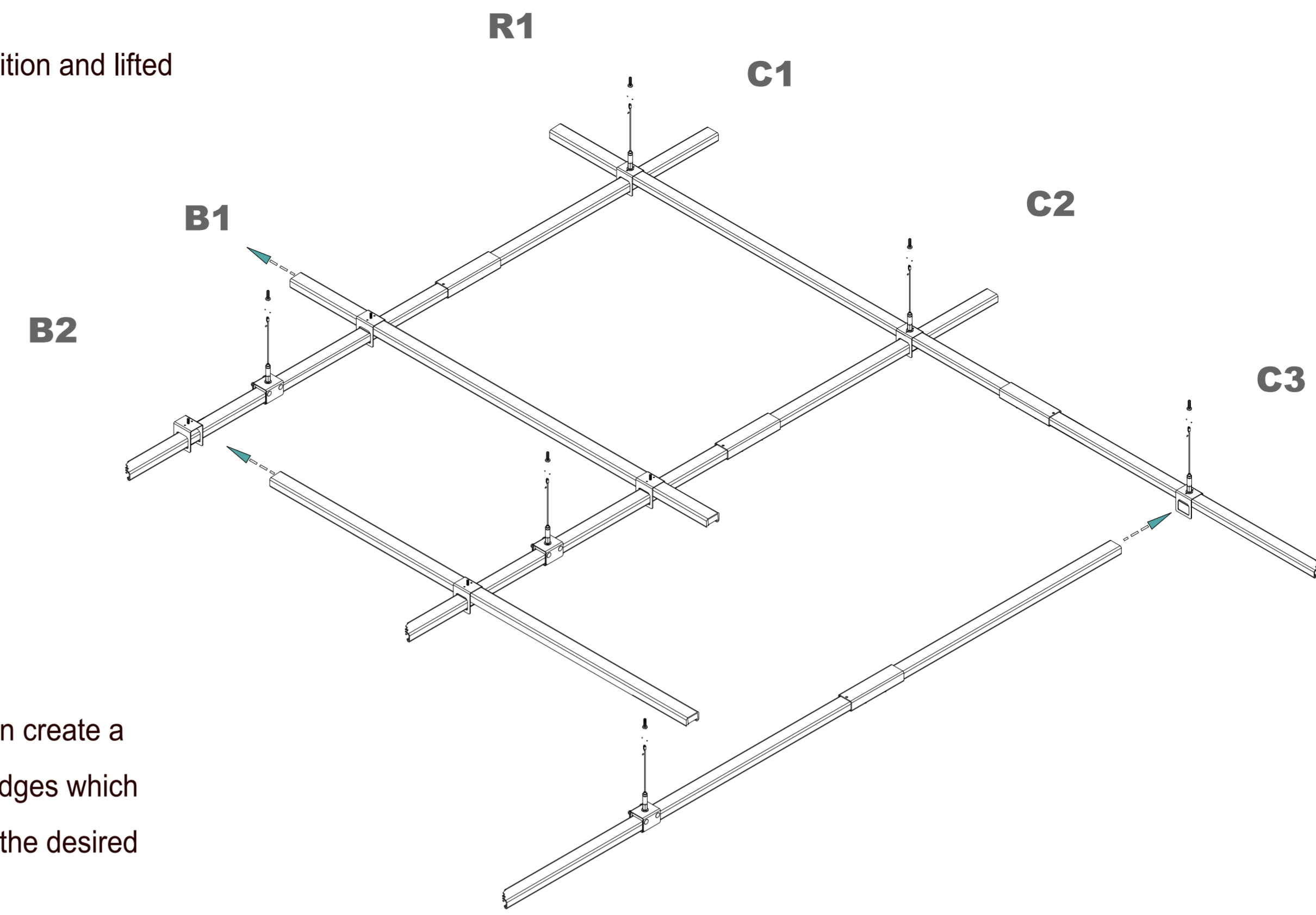
Crossovers can be dropped onto suspended busSTRUT to create an intersection with a perpendicular run of busSTRUT.



Slide perpendicular runs of busSTRUT through the crossover and tighten the set screws.

SLIDING ON

Crossovers can be slid into position and lifted to create perpendicular bridges.

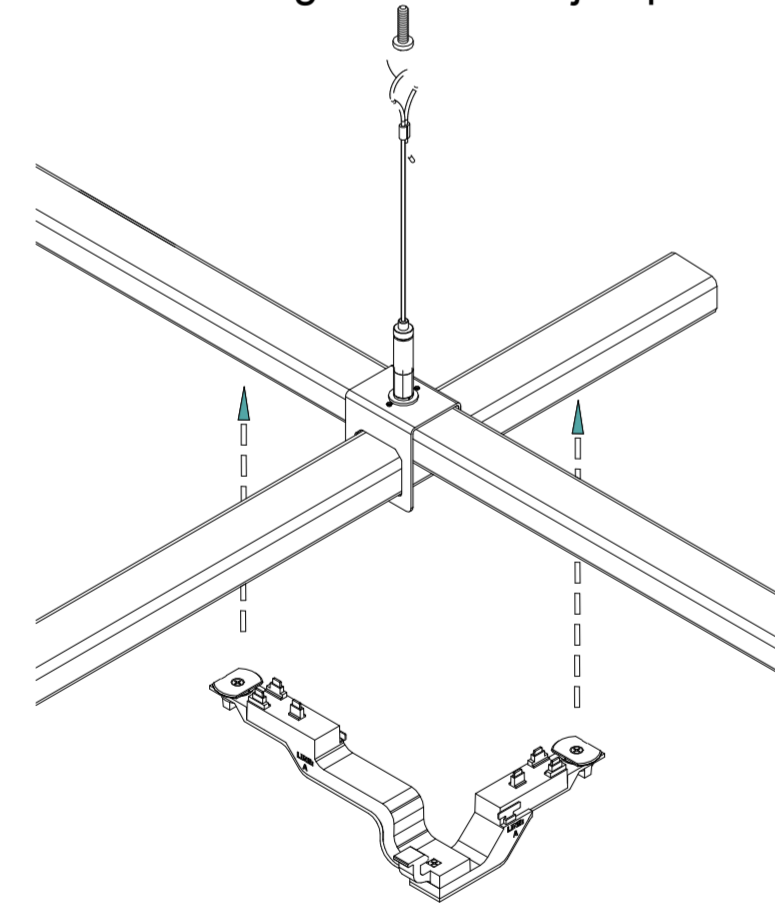


Perpendicular runs can create a full grid or be short bridges which are easily moved into the desired position.

STEP 4A

SLIMLINE JUMPER

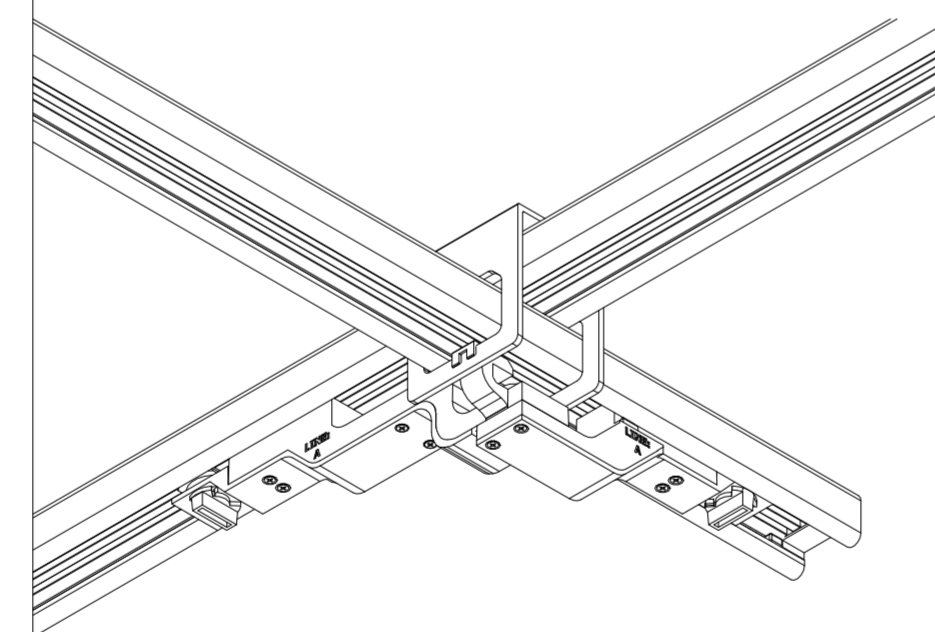
Make sure that the slimline crossover is tightened before attaching the slimline jumper.



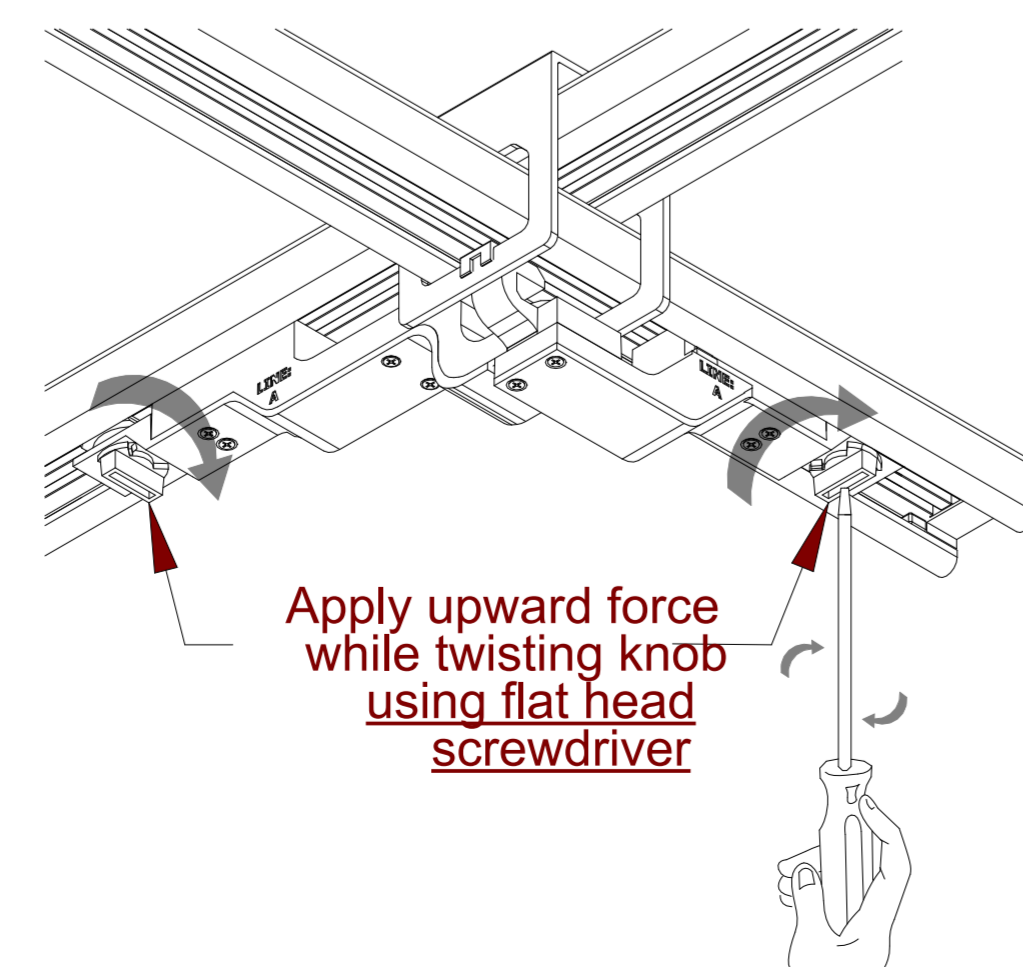
First, clip the jumper to the crossover.

SLIMLINE JUMPER (MD2020-UNIV-IJ-B-X)

A single piece unit that is installed with two knobs, one must be fully turned in each abutting length. As a result, power can continue to flow from one length to the next.



Seat the jumper into the busSTRUT by squeezing tightly on one side and turning the knob. Then, turn the other knob to complete the circuit.

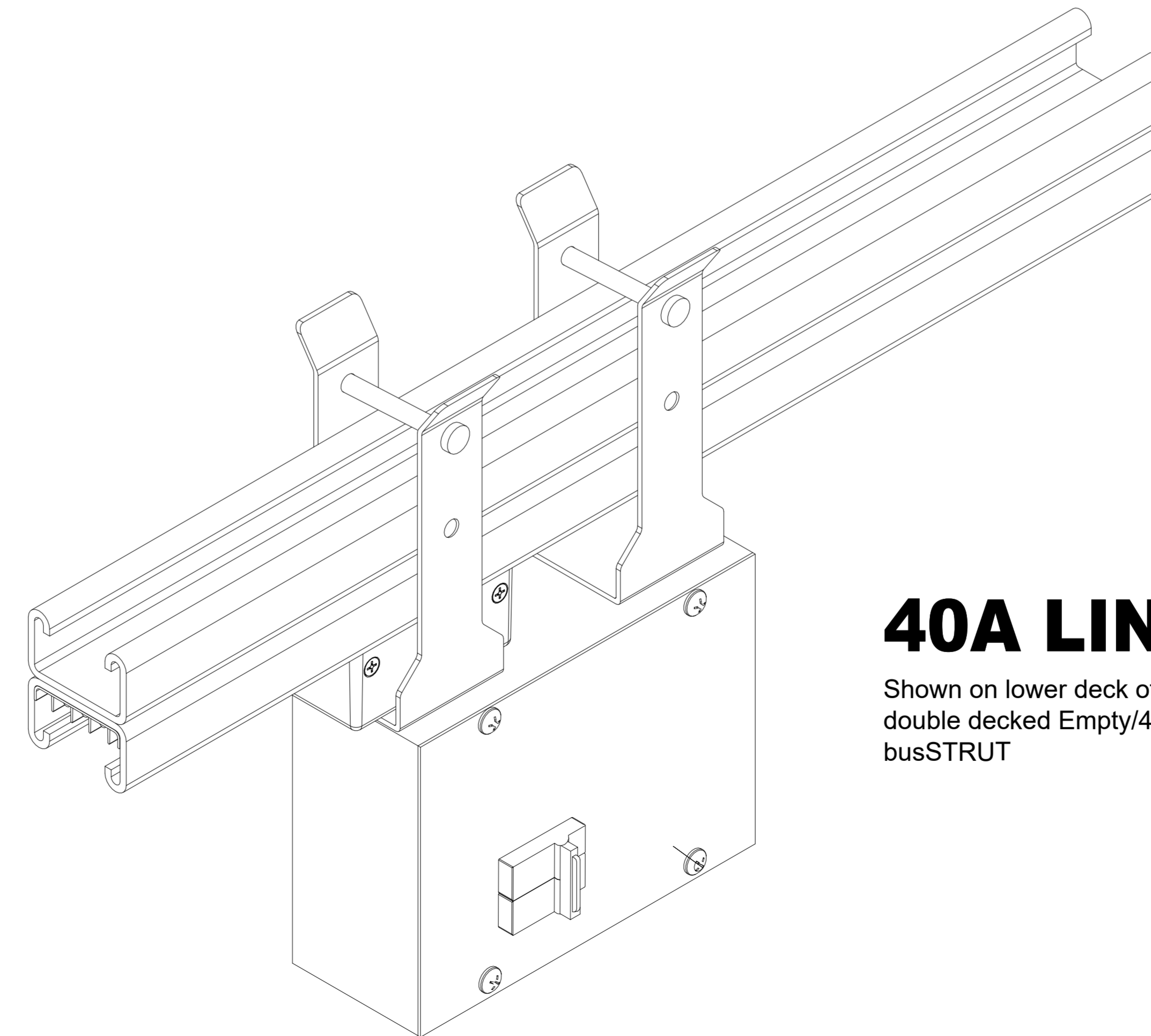


Apply upward force while twisting knob using flat head screwdriver

STEP 4B

LINE FEEDS

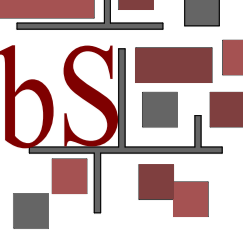
Install line feeds on busSTRUT to power the configuration.



40A LINE FEED

Shown on lower deck of double decked Empty/40 busSTRUT

**Installation Instruction Guidelines are provided only as that, informative guidelines. Defer to architectural/engineering drawings tailored to the specific project.



busSTRUT
4782 Roberts Road
Columbus, OH
43228
TEL: 614.933.8695
E-MAIL: INFO@BUSSTRUT.COM
WWW.BUSSTRUT.COM

DESIGNED BY:
LARRY GELLETT
DRAWN BY:
JOHN LOCH
CHECKED BY:
ALEXISIA MARTINEZ
DATE:
02/25/2025
REVISION:
BDD/REVIEW

TYPICAL
busSTRUT Installation Instructions

busSTRUT
SHOP DRAWING SET (ONLY)
NOT A REPLACEMENT FOR
ARCHITECTURAL /
ENGINEERING OR ELECTRICAL
DRAWINGS

NO.	REV.	DATE	DESCRIPTION

PAPER SIZE:
ARCH E (48x36)
NOT TO SCALE
DRAWING NUMBER
E-b0.2

